

OUTSIDE OF SHOWER

FRAME PACKAGE

KEY	DESCRIPTION	PART	TOWEL BAR UNIT	TOWEL BAR / PULL HANDLE UNIT
A	SILL	A925	1	1
B	JAMB	A947	2	2
C	HEADER	A950	1	1
D	TOWEL BAR	A712	2	1
J	VINYL TRACK GUIDE	V436	1	1

HARDWARE BAG PARTS

E	TOWEL BAR BRACKET KIT	HBAB	1	
	8A X 1 PAN HEAD SCREW	H479	2	
	8A X 1 1/4 FLAT HEAD SCREW	H810	2	
	PULL/STOP	HA12	2	
	PULL/STOP LABEL	H904	2	
	TOWEL BAR BRACKET	HA14	4	
L	TOWEL BAR/PULL HANDLE KIT	HBAH		1
	8A X 1 PAN HEAD SCREW	H479		2
	8A X 1 1/4 FLAT HEAD SCREW	H810		2
	PULL/STOP	HA12		2
	PULL/STOP LABEL	H904		2
	PULL HANDLE	HA16		2
	TOWEL BAR BRACKET	HA14		2
F	ROLLER	H342	4	4
K	8-32 X 3/8 TRUSS HEAD SCREW	H430	4	4
G	GUIDE	HA62	1	1
H	8A X 1 1/4 PAN HEAD SCREW	H480	6	6
I	BUMPER	HB01	4	4
M	ANCHOR	H002	6	6
O	8A X 3/8 PAN HD SELF DRILLING SCREW	H900	3	3

TOOLS NEEDED

- 1/8" Drill Bit
- 3/16" Drill Bit
- (3/16" Masonry Bit for Ceramic Tile)
- Scratch Awl
- Measuring Tape
- Hacksaw
- Phillips Screw Driver
- Caulking Compound
- File
- Drill
- Level
- Masking Tape

Before starting installation of your new enclosure, carefully read all instructions and lay out parts to become familiar with their identity.

USE OF ANCHORS

Anchors are furnished with every enclosure. However, the use of anchors is not recommended when attaching your enclosure to a fiberglass unit or wall surrounds with board reinforced mounting areas. Mounting holes in this case should be drilled with an 1/8" drill bit.

Mounting of this unit on tile requires the use of anchors. Special care must be taken not to crack the tile. Before drilling holes in the tile, lightly chip glazed surface of tile at the desired locations. Drill holes using a 3/16" masonry drill bit. Insert anchors into the holes making certain that ring on large end of anchor meets the surface of the tile.

CLEANING

Cleaning and care of your enclosure is important to its lasting beauty. We suggest using a nonabrasive liquid cleaner. *Never use scouring powder or pads.*

SEALING

The use of a caulking compound can assure a water-tight seal when applied along outside edge of the enclosure where metal and bath meet. If desired, caulk inside of enclosure where jambs meet walls.

Do not try to cut the mirrors or glass used in this enclosure. Tempered glass and mirrors will disintegrate if cut.

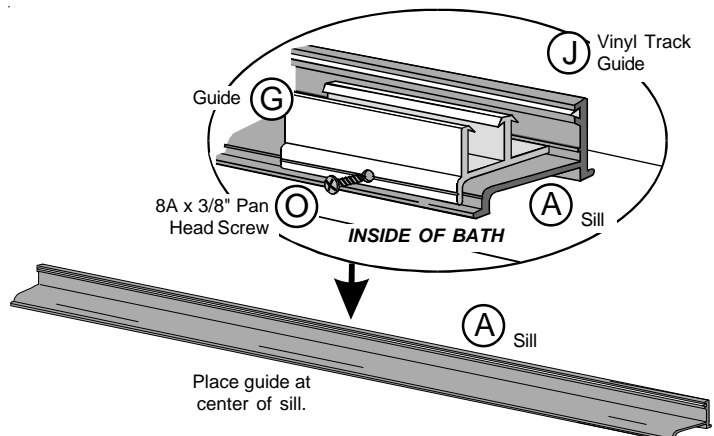
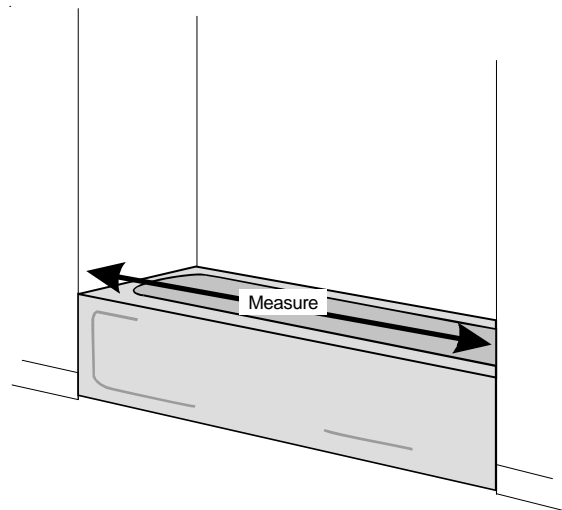
1 Sill (A)

Due to the manufacturing process, there may be rack marks present at one end of your sill and header. Sill and header must be trimmed to fit your individual opening. When cutting sill and header, make certain to trim off end with rack marks.

Measure wall to wall opening at tub level and cut **sill (A)** 9/16" less than that measurement. Slide **vinyl track guide (J)** into small groove on upright of sill. Trim end flush with edge of sill.

Locate center of sill. Position **guide (G)** at center of sill with curved leg fitting over curve of sill, and back of guide fitting under small lip on back upright of sill.

Position 1/8" drill bit in small groove on curved leg of guide. Drill through guide into sill. Secure guide to sill with **8A x 3/8" pan head screw (O)**.



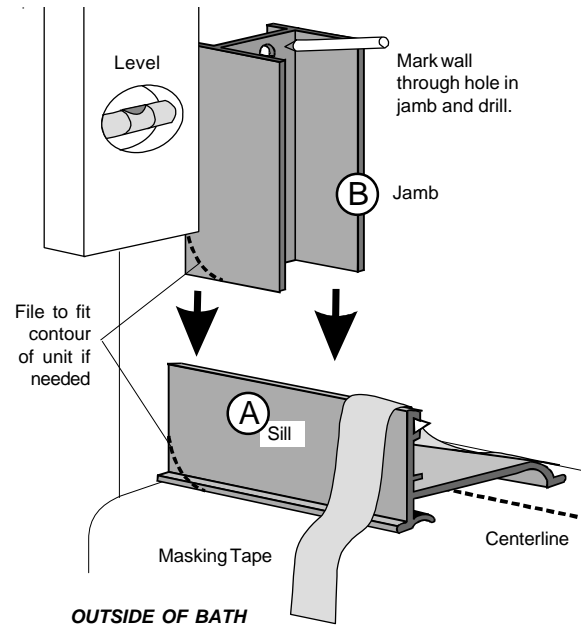
2**Jamb (B)**

When anchors (M) are used holes should be drilled using 3/16" drill bit. (Use masonry bit for tile.)

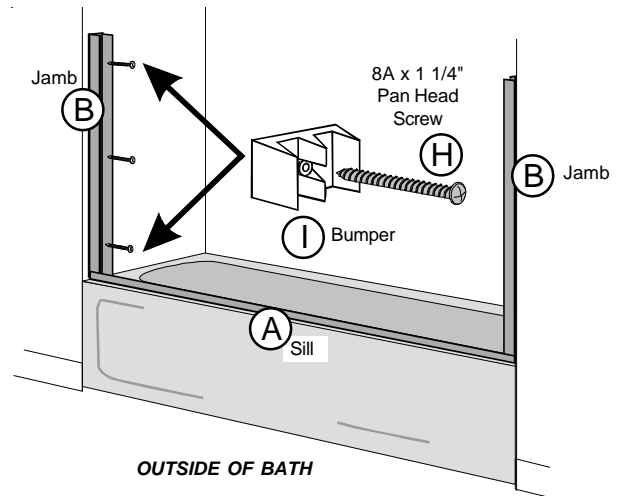
Position sill on centerline of tub with tall edge of sill toward outside of tub. Tape sill to tub with masking tape. This will help hold sill in place while positioning jambs.

Jambs (B) are installed with short legs against wall and long legs straddling the sill. If necessary for a smooth fit, file back of jamb (short legs) to fit contour of unit. Align jamb vertically using a level and mark wall through prepunched holes. Repeat procedure with remaining jamb.

Remove jambs and drill where marked using 1/8" drill bit.

**3****Bumpers (I)**

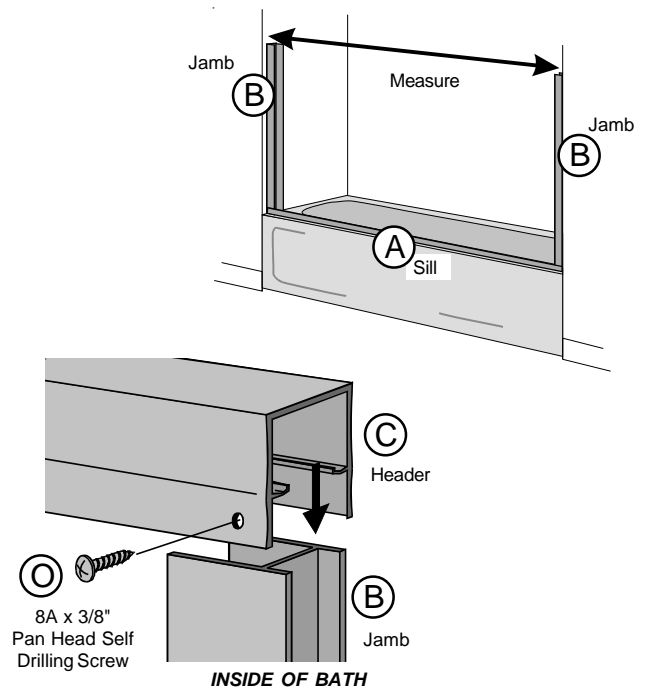
Reposition jambs on tub and mount to wall using **8A x 1 1/4" pan head jamb screws (H)**. Top and bottom holes are mounting positions for **bumpers (I)**.

**4****Header (C)**

Measure from wall to wall (over the top of both jambs) and cut **header (C)** to that measurement.

Lower header over jambs until seated squarely on legs of both jambs.

Secure header to jambs by drilling a 1/8" hole through header into jambs on inside of tub near walls. Join using **8A x 3/8" pan head self drilling screws (O)**.



5 Towel Bars (D)

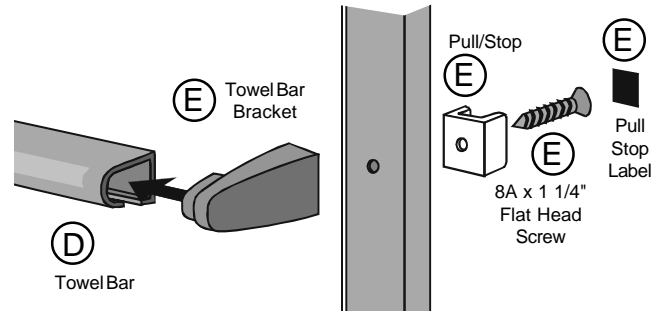
Note: Towel bar for outside panel faces outside of shower, while towel bar for inside panel faces inside of shower. Pull/stops should be mounted on edge of panel closest to jambs as shown in illustration.

Insert **towel bar bracket (E)** into each end of **towel bar (D)**. Mount towel bar and **pull/stop (E)** to door panel using **8A x 1 1/4" flat head screw (E)**. Place **pull/stop label** in recessed area of pull/stop, covering screw head.

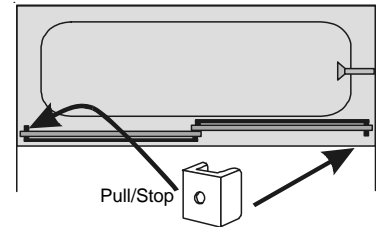
On opposite end of towel bar, mount bracket to door panel using **8A x 1" pan head screw**. Repeat for remaining panel.

TOWEL BAR/PULL HANDLE UNITS

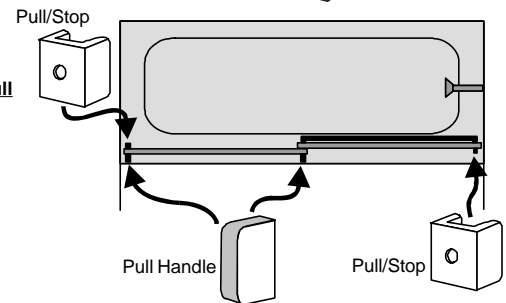
Towel bar is to be mounted on inside panel facing inside of shower. Pull handles are to be mounted on outside surface of the outside panel.



Towel Bar Kit:

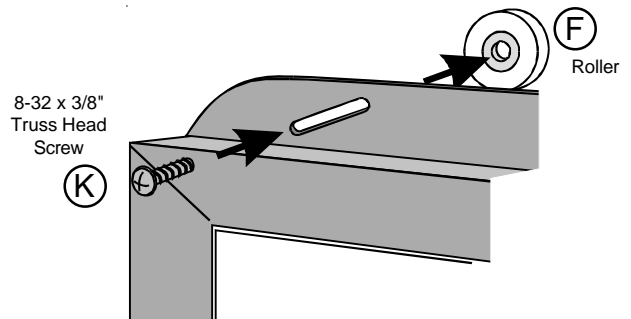


Towel Bar/ Pull Handle Kit:



6 Rollers (F)

Mount **rollers (F)** to top channel of doors using **8-32 x 3/8" truss head screws (K)**. Rollers are to be mounted on same side of doors as towel bars and at the midpoint of slots.

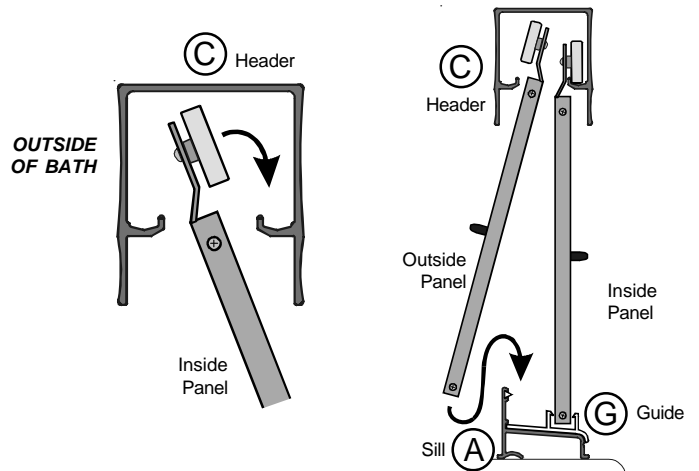


7 Hanging Door Panels

Lift door panel into header with towel bar facing inside of bath. Seat rollers on roller track while guiding bottom of door into sill guide.

Repeat for remaining door, hanging panel with towel bar facing outside of bath.

Adjust rollers up or down as needed in roller fin slots to compensate for out-of-plumb conditions, allowing panels to hang straight.



Seal unit by caulking along outside of enclosure where metal and bath meet, especially where sill and tub meet. If desired, caulk inside enclosure where jambs meet walls.