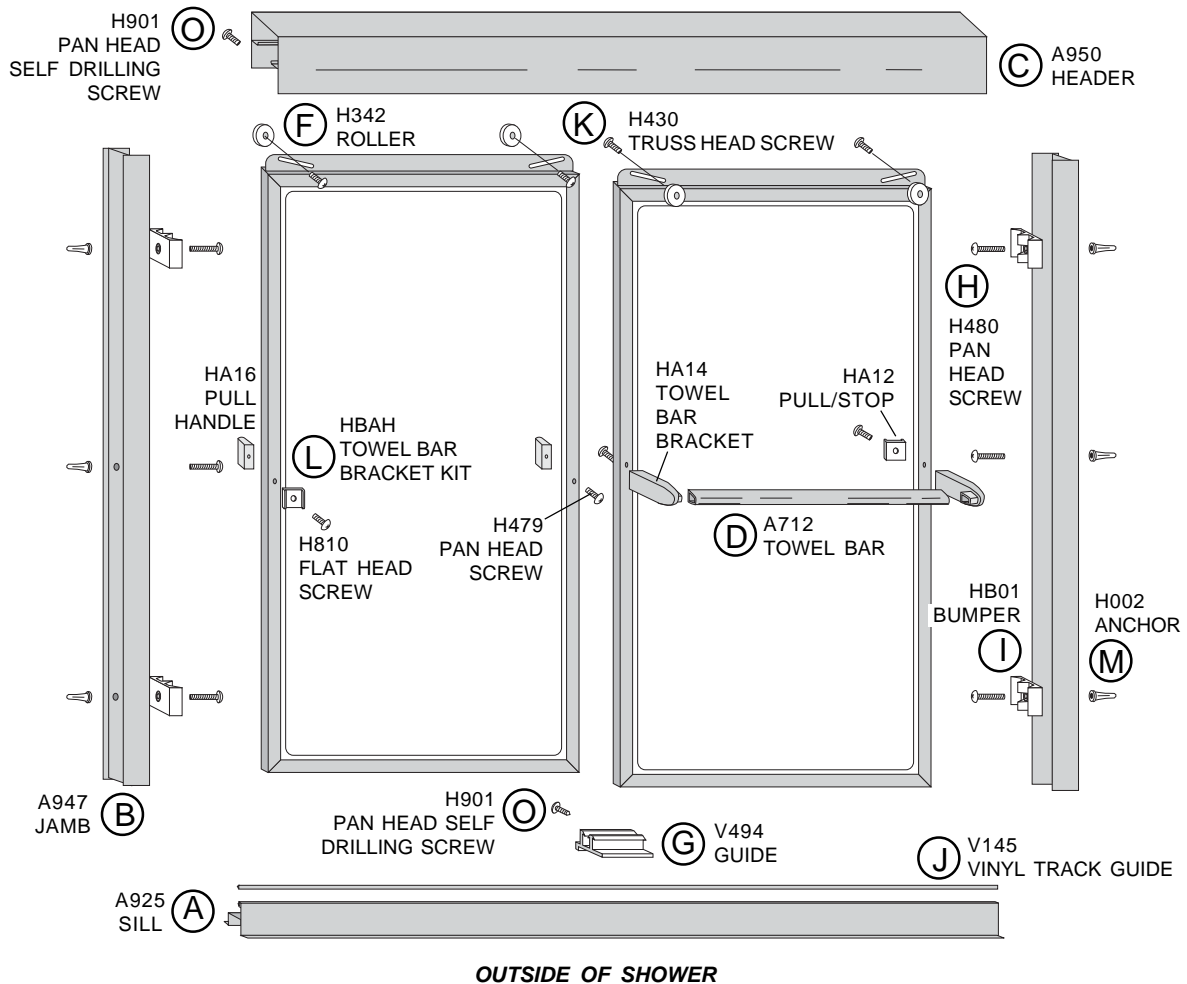


21Y1



FRAME PACKAGE

KEY	DESCRIPTION	PART	QTY
A	SILL	A925	1
B	JAMB	A947	2
C	HEADER	A950	1
D	TOWEL BAR	A712	2
J	VINYL TRACK GUIDE	V145	1

HARDWARE BAG PARTS

L	TOWEL BAR/PULL HANDLE KIT	HBAH	1
	8A X 1 PAN HEAD SCREW	H479	2
	PULL/STOP	HA12	2
	PULL HANDLE	HA16	2
	TOWEL BAR BRACKET	HA14	2
	8A X 1 1/4 FLAT HEAD SCREW	H810	2
F	ROLLER	H342	4
K	8-32 X 3/8 TRUSS HEAD SCREW	H430	4
G	GUIDE	HA21	1
H	8A X 1 1/4 PAN HEAD SCREW	H480	6
I	BUMPER	HB01	4
M	ANCHOR	H002	6
O	8A X 3/8 PAN HD SELF DRILLING SCR	H901	3

TOOLS NEEDED

1/8" Drill Bit
 3/16" Drill Bit
 (3/16" Masonry Bit for
 Ceramic Tile)
 Scratch Awl
 Measuring Tape
 Hacksaw
 Phillips Screw Driver
 Caulking Compound
 File
 Drill
 Level
 Masking Tape

INSTALLATION INSTRUCTIONS

Before starting installation of your new enclosure, carefully read all instructions and lay out parts to become familiar with their identity.

USE OF ANCHORS

Anchors are furnished with every enclosure. However, the use of anchors is not recommended when attaching your enclosure to a fiberglass unit or wall surrounds with board reinforced mounting areas. Mounting holes in this case should be drilled with a 1/8" drill bit.

Mounting of this unit on tile requires the use of anchors. Special care must be taken not to crack the tile. Before drilling holes in the tile, lightly chip glazed surface of tile at the desired locations. Drill holes using a 3/16" masonry drill bit. Insert anchors into the holes making certain that ring on large end of anchor meets the surface of the tile.

CLEANING

Cleaning and care of your enclosure is important to its lasting beauty. We suggest using a nonabrasive liquid cleaner.

Never use scouring powder or pads.

SEALING

The use of a caulking compound can assure a water-tight seal when applied along outside edge of the enclosure where metal and bath meet. If desired, caulk inside of enclosure where jambs meet walls.

**Do not try to cut the mirrors or glass used in this enclosure.
Tempered glass and mirrors will disintegrate if cut.**

1

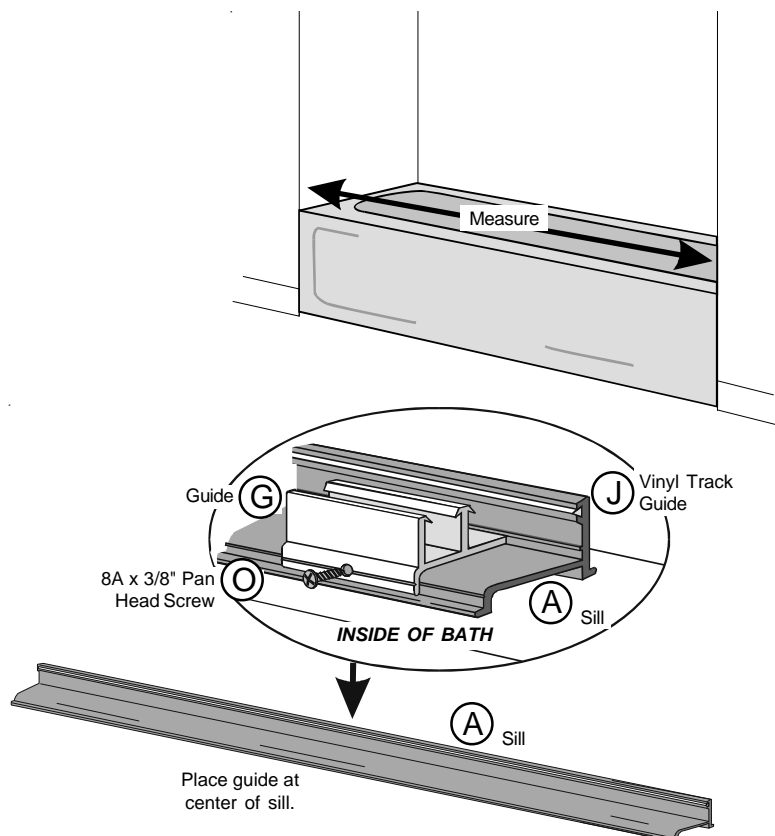
Measure wall to wall opening at tub level and cut **sill (A)** 9/16" less than that measurement.

Slide **vinyl track guide (J)** into small groove on upright of sill. Trim end flush with edge of sill.

Locate center of sill. Position **guide (G)** at center of sill with curved leg fitting over curve of sill, and back of guide fitting under small lip on back upright of sill.

Drill through hole in guide using 1/8" drill bit. (*Chrome and gold units include a self-drilling screw which does not require a pilot hole.*)

Secure guide to sill with **8A x 3/8" pan head screw (O)**.



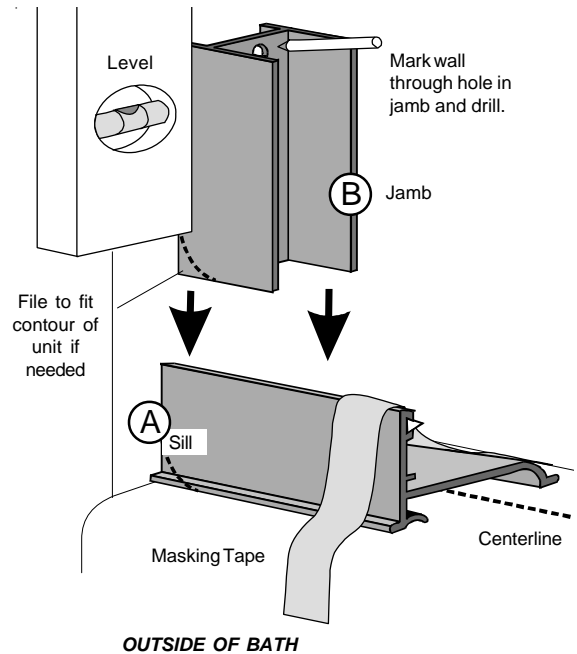
2

Position sill on centerline of tub with tall edge of sill toward outside of tub. Tape sill to tub with masking tape. This will help hold sill in place while positioning jambs.

Place one **jamb** (B) against wall with short legs against wall and bottom resting firmly on sill. If necessary for a smooth fit, file back of jamb (short legs) to fit contour of unit. Align jamb vertically using a level and mark wall through prepunched holes. Repeat procedure with remaining jamb.

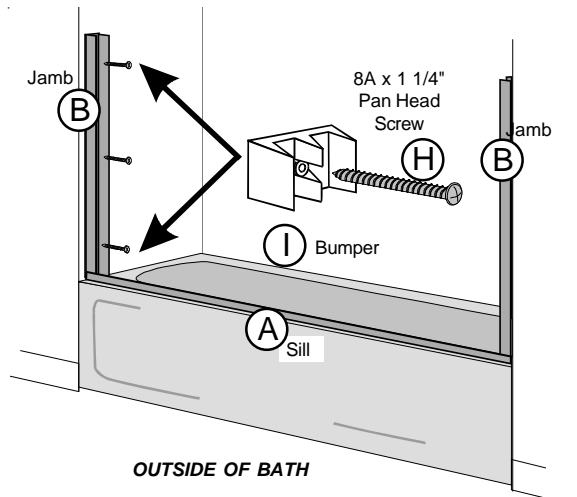
Remove jambs and drill where marked using 1/8" drill bit.

When anchors (M) are used holes should be drilled using 3/16" drill bit. (Use masonry bit for tile.)



3

Reposition jambs on tub and mount to wall using **8A x 1 1/4" pan head jamb screws** (H). Top and bottom holes are mounting positions for **bumpers** (I).



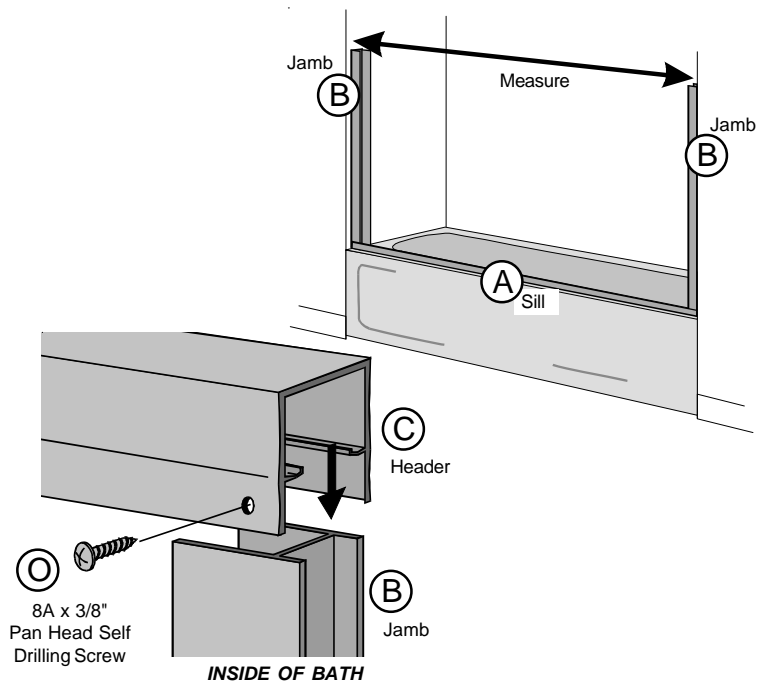
4

Due to the manufacturing process, rack marks may be present at one end of your header. All headers must be trimmed to fit individual openings. When cutting header, make certain to trim off end with rack marks.

Measure from wall to wall (over the top of both jambs) and cut **header** (C) to that measurement.

Lower header over jambs until seated squarely on legs of both jambs.

Secure header to jambs by drilling a 1/8" hole through header into jambs on inside of tub near walls. Join using **8A x 3/8" pan head self drilling screws** (O).



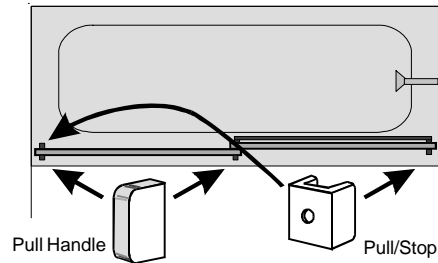
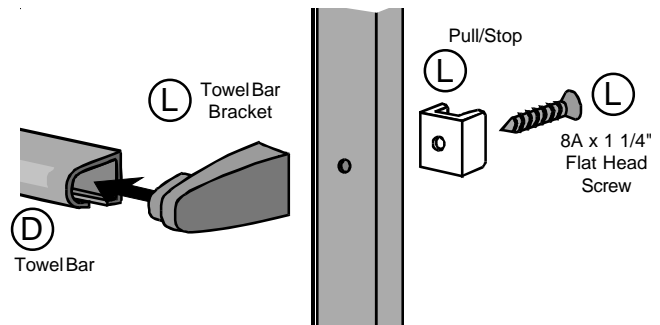
5

Painted surface of designer glass faces **in toward shower** on units with chrome, gold, or bronze metal frames. Painted surface of designer glass faces **outside of shower** on units with painted metal frames.

Choose door panel on which you would like towel bar to be mounted. (Normally, towel bar is mounted on outer panel facing outside of shower, and pull handles are on inner panel facing inside of shower.)

Insert **towel bar bracket** from kit (L) into each end of **towel bar** (D). Mount **towel bar** and **pull/stop** to jamb side of door panel using **8A x 1 1/4" pan head screw**. Attach opposite end of towel bar to door panel using **8A x 1" pan head screw**.

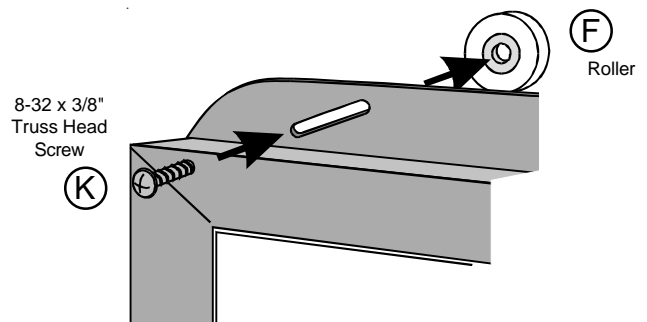
On remaining panel, mount **pull handle** and **pull/stop** to jamb side of panel using 8A x 1 1/4" screw. Mount remaining pull handle on opposite side of panel using 8A x 1" screw.



6

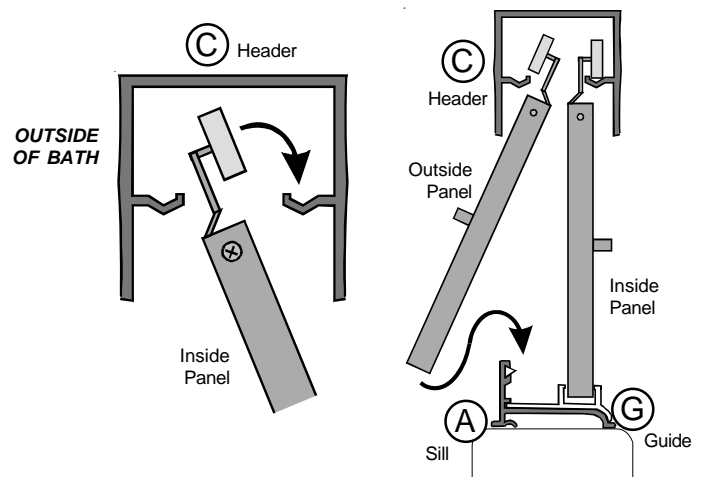
Mount **rollers** (F) to top channel of doors using **8-32 x 3/8" truss head screws** (K). Rollers are to be mounted on same side of doors as towel bars and at the midpoint of slots.

Rollers may be positioned up or down in slot to adjust for out of plumb situations.



7

Lift inside door panel into header with towel bar facing inside of bath. Seat rollers in roller track while guiding bottom of door into sill guide. Repeat for outside door, hanging panel with towel bar facing outside of bath.



Seal unit by caulking along outside of enclosure where metal and bath meet, especially where sill and tub meet. If desired, caulk inside enclosure where jambs meet walls.