

FRAME PACKAGE

KEY	DESCRIPTION	PART	STANDARD UNIT	TOWEL BAR / PULL HANDLE UNIT
A	SILL	A925	1	1
B	JAMB	A901	2	2
C	HEADER	A902	1	1
D	TOWEL BAR	A721	2	1
J	VINYL TRACK GUIDE	V436	1	1

HARDWARE BAG PARTS

E	TOWEL BAR BRACKET KIT	HBBB	1	
	8A X 1 PAN HEAD SCREW	H479	2	
	8A X 1 1/4 FLAT HEAD SCREW	H810	2	
	PULL STOP	HA12	2	
	PULL STOP LABEL	H904	2	
	TOWEL BAR BRACKET	HBCL	4	
	TOWEL BAR BRACKET SLEEVE	HASL	4	
L	TOWEL BAR / PULL HANDLE KIT	HBBH		1
	8A X 1 PAN HEAD SCREW	H479		2
	PULL STOP	HA12		2
	PULL STOP LABEL	H904		2
	PULL HANDLE	HA16		2
	TOWEL BAR BRACKET	HBCL		2
	TOWEL BAR BRACKET SLEEVE	HASL		2
	8A X 1 1/4 FLAT HEAD SCREW	H810		2
F	ROLLER	H342	4	4
K	8-32 X 3/8 TRUSS HEAD SCREW	H430	4	4
G	GUIDE	HA21	1	1
H	BUMPER	HB01	4	4
I	8A X 1 1/4 PAN HEAD SCREW	H480	6	6
M	ANCHOR	H002	6	6
N	8A X 3/8 PAN HEAD SELF-DRILLING SCREW	H900	3	3

TOOLS NEEDED

- 1/8" Drill Bit
- 3/16" Drill Bit
- (3/16" Masonry Bit for Ceramic Tile)
- Scratch Awl
- Measuring Tape
- Hacksaw
- Phillips Screw Driver
- Caulking Compound
- File
- Drill
- Level
- Masking Tape

Before starting installation of your new enclosure, carefully read all instructions and lay out parts to become familiar with their identity.

USE OF ANCHORS

Anchors are furnished with every enclosure. However, the use of anchors is not recommended when attaching your enclosure to a fiberglass unit or wall surround with board reinforced mounting areas. Mounting holes in this case should be drilled with an 1/8" drill bit.

Mounting of this unit on tile requires the use of anchors. Special care must be taken not to crack the tile. Before drilling holes in the tile, lightly chip glazed surface of tile at the desired locations. Drill holes using a 3/16" masonry drill bit. Insert anchors into the holes making certain that ring on large end of anchor meets the surface of the tile.

CLEANING

Cleaning and care of your enclosure is important to its lasting beauty. We suggest using a nonabrasive liquid cleaner. *Never use scouring powder or pads.*

SEALING

The use of a caulking compound can assure a water-tight seal when applied along outside edge of the enclosure where metal and bath meet. If desired, caulk inside of enclosure where jambs meet walls.

Do not try to cut the mirrors or glass used in this enclosure. Tempered glass and mirrors will disintegrate if cut.

1 Sill (A) / Guide (G)

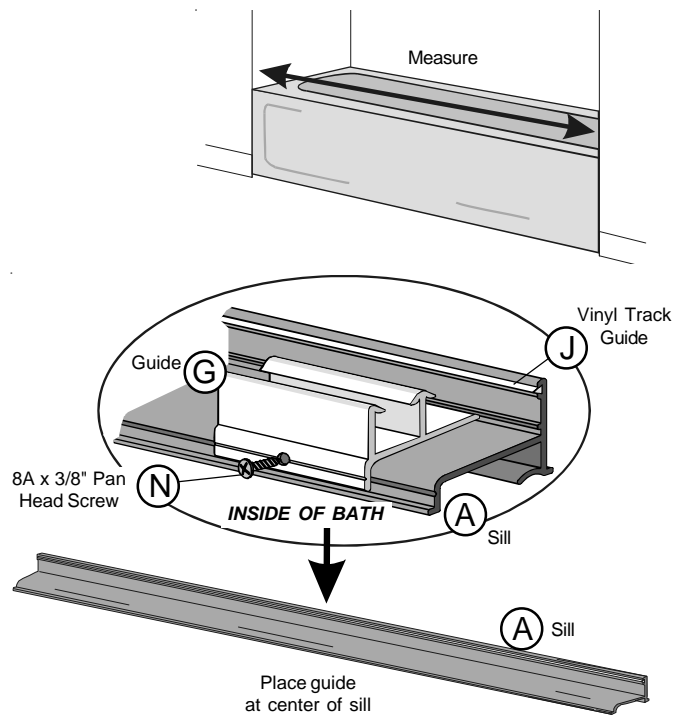
Due to the manufacturing process, there may be rack marks present at one end of your sill and header. Sill and header must be trimmed to fit your individual opening. When cutting sill and header, make certain to trim off end with rack marks.

Measure wall to wall opening at tub level and cut sill to that measurement.

Slide **vinyl track guide (J)** into small groove on upright of sill. Trim ends flush with ends of sill.

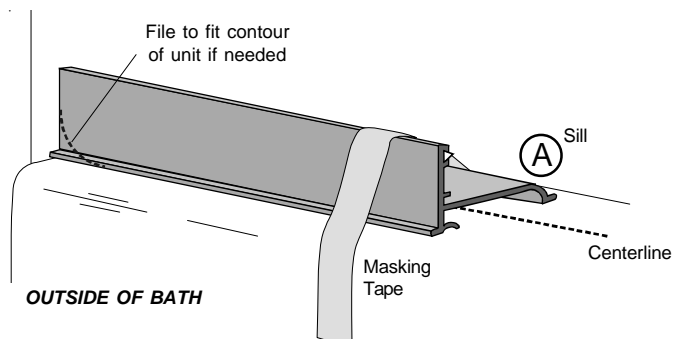
Locate center of sill. Position **guide (G)** at center of sill with curved leg fitting over curve of sill, and back of guide fitting under small lip on back upright of sill.

Position 1/8" drill bit in small groove on curved leg of guide, and drill through guide into sill. Secure guide to sill with **8A x 3/8" pan head screw (N)**.



2 Sill (A)

Position sill on centerline of tub with tall edge toward outside of tub. If necessary for a smooth fit, file corners of sill to fit contour of your unit. Tape sill to tub with masking tape. This will help hold sill in place while positioning jambs.



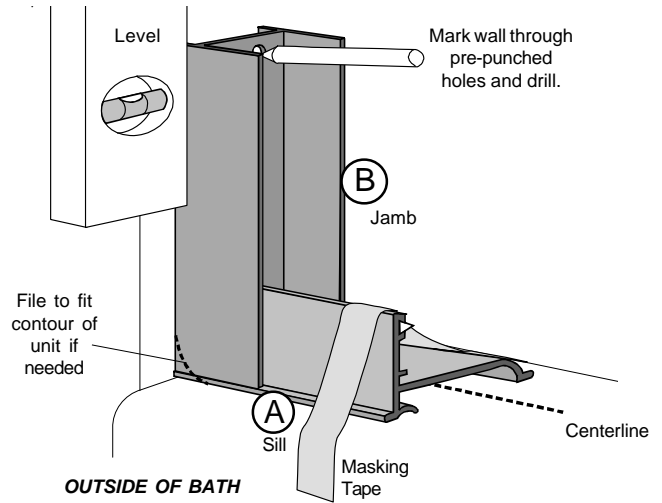
3

Jambs (B)

When anchors (M) are used holes should be drilled using 3/16" drill bit. (Use masonry bit for tile.)

Position jamb (B) against wall with short legs toward wall and notched end of jamb resting on sill. If necessary for a smooth fit, file back of jambs (short legs) to fit contour of your unit. Align jambs vertically using a level and mark wall through prepunched holes. Repeat procedure with remaining jamb.

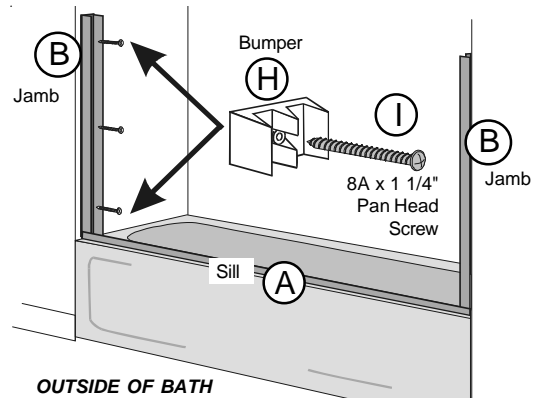
Remove jambs from tub and drill where marked using 1/8" drill bit.



4

Jambs (B) / Bumpers (H)

Reposition jambs on tub and mount to wall using 8A x 1 1/4" pan head screws (I). Top and bottom holes are mounting positions for bumpers (H).



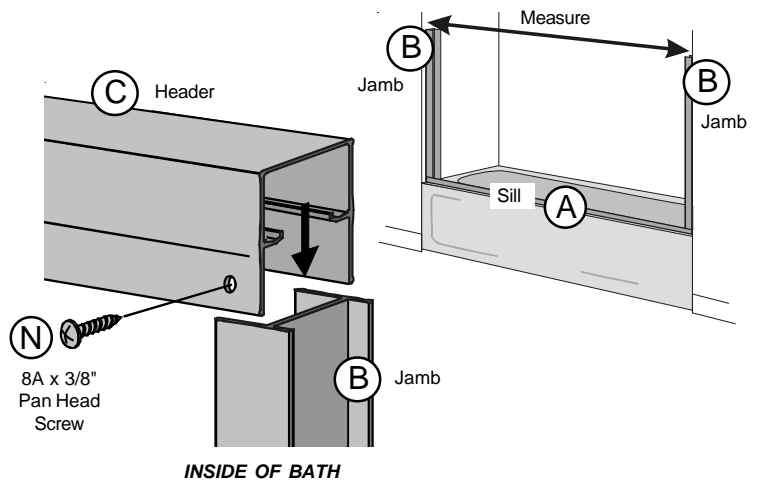
5

Header (C)

Measure from wall to wall (over the top of both jambs) and cut header (C) to that measurement.

Lower header over jambs until seated squarely on jambs.

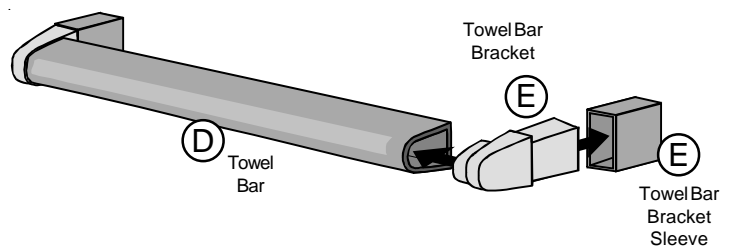
Secure header to jambs by drilling a 1/8" hole through header into jambs on inside of tub near walls. Join using 8A x 3/8" pan head screws (N).



6

Towel Bar (D)

Slide sleeves from towel bar bracket kit (E) onto towel bar brackets. Insert towel bar brackets into each end of towel bar (D).



7

Towel Bar (D)

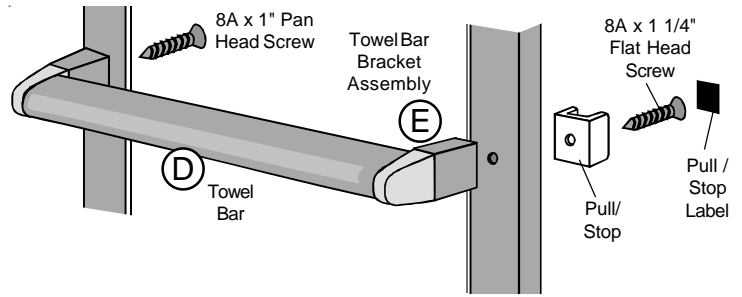
Towel bar for outside panel faces outside of shower, while towel bar for inside panel faces inside of shower. Pull/stops should be mounted on edge of panel closest to jambs as shown in illustration.

Mount towel bar and **pull/stop** to door panel using **8A x 1 1/4" flat head screw**. On opposite end of towel bar, mount bracket to door panel using **8A x 1" pan head screw**. Place **pull/stop label** in recessed area of pull/stop, covering screw head.

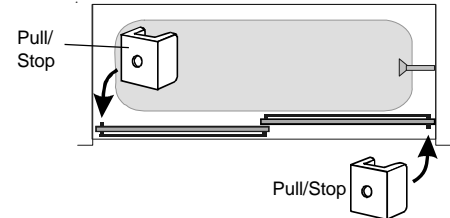
Repeat for remaining panel.

TOWEL BAR/PULL HANDLE KIT (L)

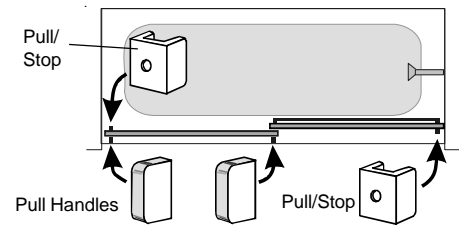
Towel bar is to be mounted on inside panel facing inside of shower. Pull handles are to be mounted on outside surface of the outside panel.



Towel Bar Kit:



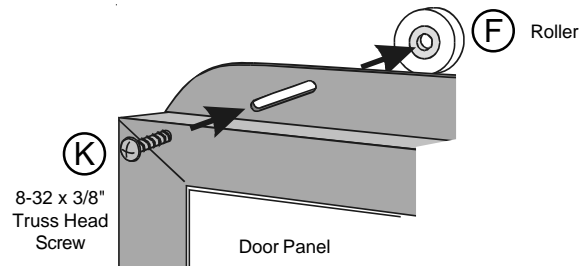
Towel Bar/ Pull Handle Kit:



8

Rollers (F)

Mount **rollers (F)** to top channel of doors using **8-32 x 3/8" truss head screws (K)**. Rollers are to be mounted on same side of doors as towel bars and at the midpoint of slots.



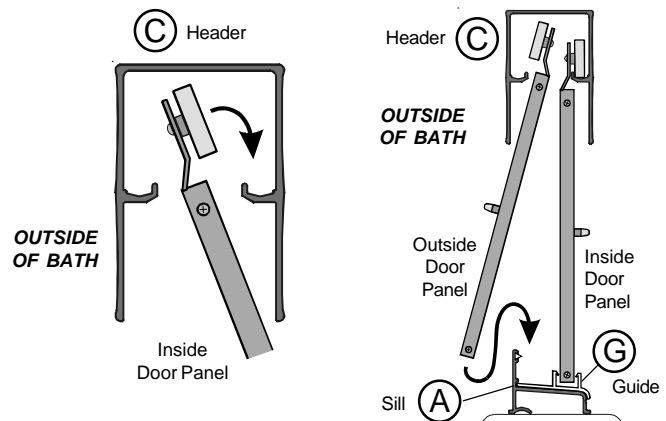
9

Hanging Door Panels

Lift door panel into header with towel bar facing inside of bath. Seat rollers on roller track while guiding bottom of door into sill guide.

Repeat for remaining door, hanging panel with towel bar facing outside of bath.

Adjust rollers up or down as needed in roller fin slots to compensate for out-of-plump conditions, allowing panels to hang straight.



10

Caulking

Seal unit by caulking along outside of enclosure where metal and bath meet, especially where sill and tub meet.

If desired, caulk inside of enclosure where jambs meet walls.

