

### FRAME PACKAGE

KEY	DESCRIPTION	PART	STANDARD UNIT	MIRROR UNIT
A	SILL	A925	1	1
B	JAMB	A901	2	2
C	HEADER	A900	1	1
D	TOWEL BAR	A237	4	2
E	VINYL TRACK GUIDE	V145	1	1

### HARDWARE BAG PARTS

F	TOWEL BAR BRACKET KIT	HBDB		
	8-32 X 3/8 TRUSS HEAD SCREW	H430	8	
	TOWEL BAR BRACKET	H070	4	
G	ROLLER	H342	4	4
H	8-32 X 3/8 TRUSS HEAD SCREW	H430	4	4
I	GUIDE	V494	1	1
J	8A X 1 1/4 PAN HEAD SCREW	H480	6	6
K	BUMPER	HB01	4	4
L	ANCHOR	H002	6	6
M	8A X 3/8 PAN HD SELF DRILLING SCR	H901	3	3
N	TOWEL BAR/PULL HANDLE KIT	HBDH		
	PULL HANDLE	H060		2
	TOWEL BAR BRACKET	H070		2
	8-32 X 3/8 TRUSS HEAD SCREW	H430		8

### TOOLS NEEDED

- 1/8" Drill Bit
- 3/16" Drill Bit
- (3/16" Masonry Bit for Ceramic Tile)
- Scratch Awl
- Measuring Tape
- Hacksaw
- Phillips Screw Driver
- Caulking Compound
- File
- Drill
- Level
- Masking Tape

# INSTALLATION INSTRUCTIONS

**Before starting installation of your new enclosure, carefully read all instructions and lay out parts to become familiar with their identity.**

## USE OF ANCHORS

Anchors are furnished with every enclosure. However, the use of anchors is not recommended when attaching your enclosure to a fiberglass unit or wall surrounds with board reinforced mounting areas. Mounting holes in this case should be drilled with a 1/8" drill bit.

Mounting of this unit on tile requires the use of anchors. Special care must be taken not to crack the tile. Before drilling holes in the tile, lightly chip glazed surface of tile at the desired locations. Drill holes using a 3/16" masonry drill bit. Insert anchors into the holes making certain that ring on large end of anchor meets the surface of the tile.

## CLEANING

Cleaning and care of your enclosure is important to its lasting beauty. We suggest using a nonabrasive liquid cleaner.

*Never use scouring powder or pads.*

## SEALING

The use of a caulking compound can assure a water-tight seal when applied along outside edge of the enclosure where metal and bath meet. If desired, caulk inside of enclosure where jambs meet walls.

**Do not try to cut the mirrors or glass used in this enclosure.  
Tempered glass and mirrors will disintegrate if cut.**

1

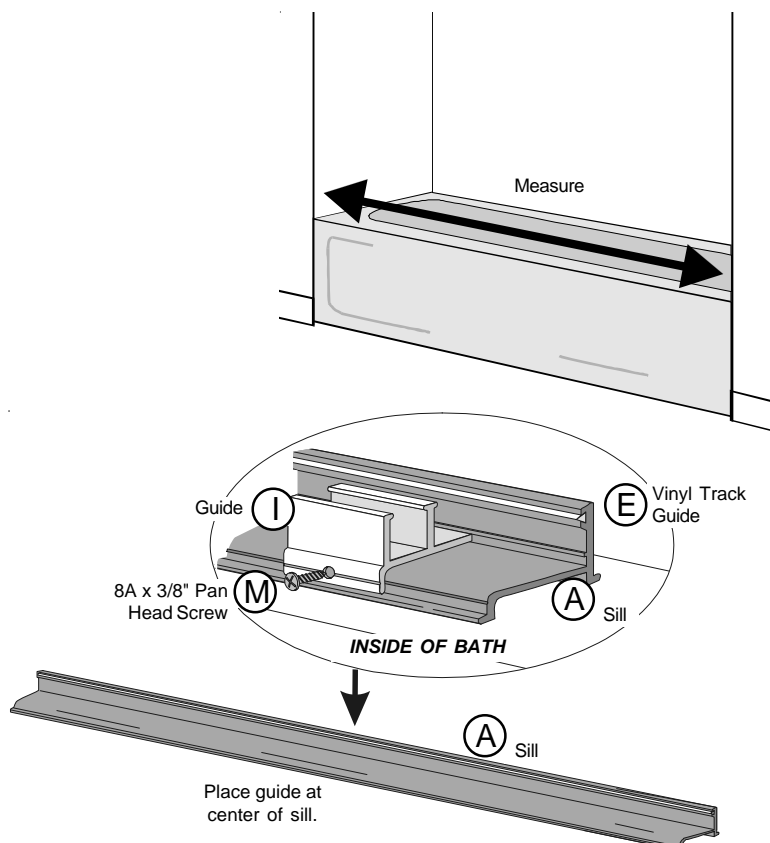
Measure wall to wall opening at tub level and cut **sill (A)** to that measurement. If necessary, file sharp corners of sill to fit contour of your unit.

Slide **vinyl track guide (E)** into small groove on upright of sill. Trim end flush with edge of sill.

Locate center of sill. Position **guide (I)** at center of sill with curved leg fitting over curve of sill, and back of guide fitting under small lip on back upright of sill.

Drill through hole in guide using 1/8" drill bit. (*Chrome and gold units include a self-drilling screw which does not require a pilot hole.*)

Secure guide to sill with **8A x 3/8" pan head screw (M)**.



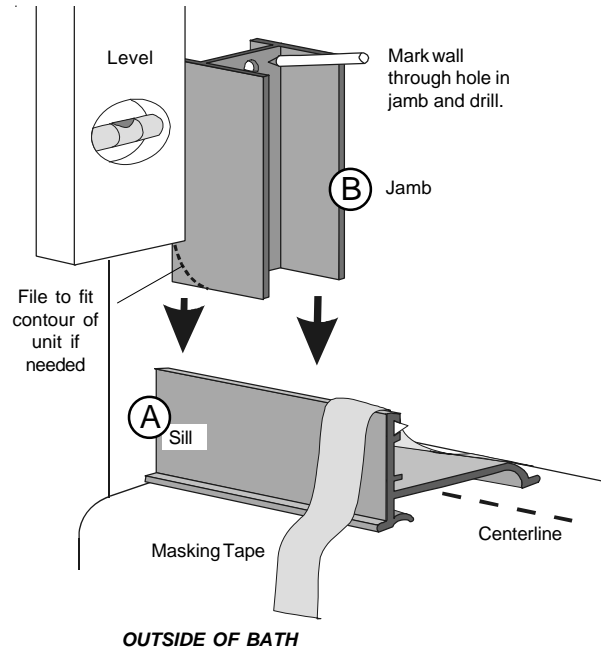
# 2

Position sill on centerline of tub with tall edge of sill toward outside of tub. Tape sill to tub with masking tape. This will help hold sill in place while positioning jambs.

Place one **jamb** (B) against wall with short legs against wall and notched end of jamb resting firmly on sill. If necessary for a smooth fit, file back of jamb (short legs) to fit contour of unit. Align jamb vertically using a level and mark wall through prepunched holes. Repeat procedure with remaining jamb.

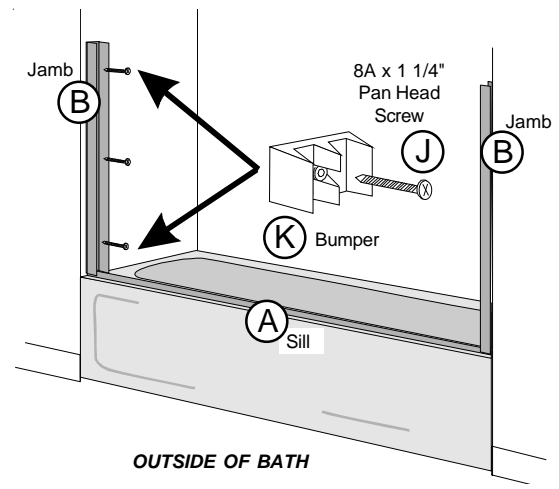
Remove jambs and drill where marked using 1/8" drill bit.

**When anchors (L) are used holes should be drilled using 3/16" drill bit. (Use masonry bit for tile.)**



# 3

Reposition jambs on tub and mount to wall using **8A x 1 1/4" pan head screws** (J). Top and bottom holes are mounting positions for **bumpers** (K).

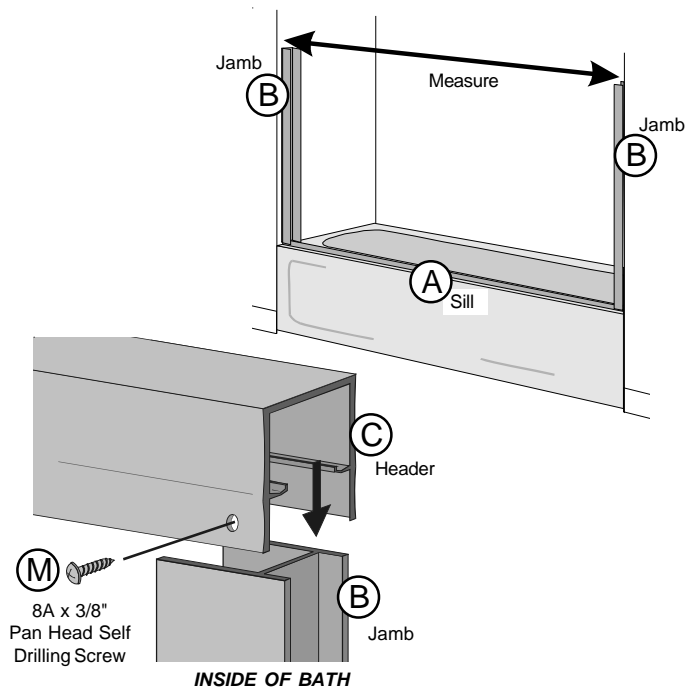


# 4

Measure from wall to wall (over the top of both jambs) and cut **header** (C) to that measurement.

Lower header over jambs until seated squarely on legs of both jambs.

Secure header to jambs by drilling a 1/8" hole through header into jambs on inside of tub near walls. Join using **8A x 3/8" pan head self drilling screws** (M).



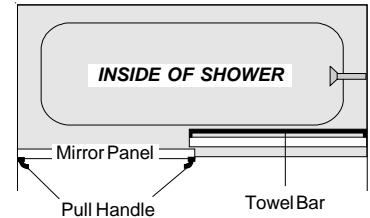
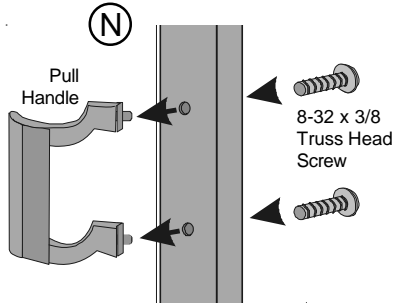
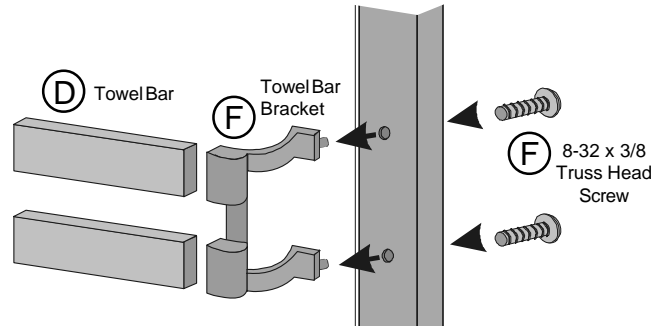
5

On units with **clear**, painted glass, the painted surface of glass faces **outside** of shower.

On units with **tinted**, painted glass, the painted surface of glass faces **inside** of shower.

*Note: Towel bar for outside panel faces outside of shower, while towel bar for inside panel faces inside of shower.*

Insert **towel bar (D)** into **brackets** from **towel bar kit (F)**. Mount brackets to door panels at prepunched holes using **8-32 x 3/8" truss head screws**.



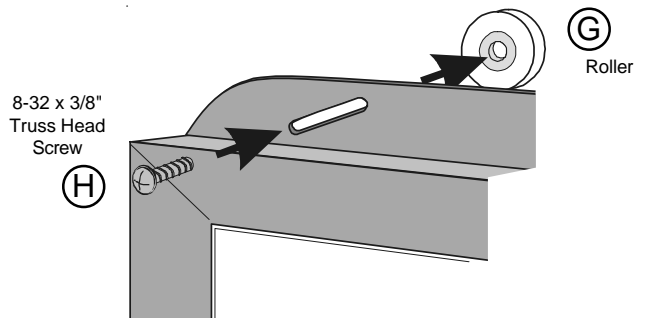
**MIRRORUNITS**

Mirror unit uses towel bar / pull handle kit (N). Pull handles are to be mounted on mirror side of mirror (outside) panel. Towel bar is to be mounted on inside panel facing inside of shower.

6

Mount **rollers (G)** to top channel of doors using **8-32 x 3/8" truss head screws (H)**. Rollers are to be mounted on same side of doors as towel bars and at the midpoint of slots.

Rollers may be positioned up or down in slot to adjust for out of plumb situations.

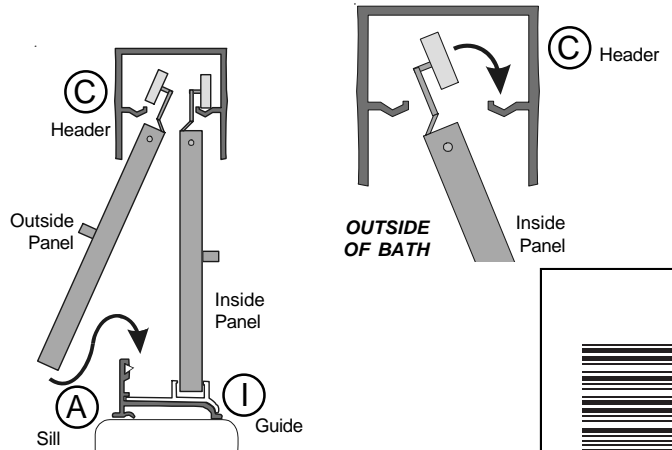


7

**MIRRORUNITS**

Mirror panel should be hung as **outside panel** with **pull handles facing outside of bath**.

Lift inside door panel into header with towel bar facing inside of bath. Seat rollers in roller track while guiding bottom of door into sill guide. Repeat for outside door, hanging panel with towel bar facing outside of bath.



Seal unit by caulking along outside of enclosure where metal and bath meet, especially where sill and tub meet. If desired, caulk inside enclosure where jambs meet walls.

