

OUTSIDE OF SHOWER

FRAME PACKAGE

KEY	DESCRIPTION	PART	STANDARD UNIT	TOWEL BAR PULL HANDLE UNIT
A	SILL	A925	1	1
B	JAMB	A901	2	2
C	HEADER	A902	1	1
D	TOWEL BAR	A159	2	1
J	VINYL TRACK GUIDE	V436	1	1

HARDWARE BAG PARTS

E	TOWEL BAR BRACKET KIT	HB0L	1	
	8-32 X 3/4 TRUSS HEAD SCREW	H440	2	
	TOWEL BAR BRACKET	H020	4	
	PULL/STOP	HA12	2	
	8-32 X 1 TRUSS HEAD SCREW	HS10	2	
	PULL STOP LABEL	H904	2	
L	TOWEL BAR / PULL HANDLE KIT	HB0H		1
	PULL HANDLE	HA16		2
	TOWEL BAR BRACKET	H020		2
	8A X 1 PAN HEAD SCREW	H479		2
	8-32 X 3/4 TRUSS HEAD SCREW	H440		2
F	ROLLER	H342	4	4
K	8-32 X 3/8 TRUSS HEAD SCREW	H430	4	4
G	GUIDE	HA21	1	1
H	BUMPER	HB01	4	4
I	8A X 1 1/4 PAN HEAD SCREW	H480	6	6
M	ANCHOR	H002	6	6
N	8A X 3/8 PAN HEAD SELF-DRILLING SCREW	H900	3	3

TOOLS NEEDED

- 1/8" Drill Bit
- 3/16" Drill Bit
- (3/16" Masonry Bit for Ceramic Tile)
- Scratch Awl
- Measuring Tape
- Hacksaw
- Phillips Screw Driver
- Caulking Compound
- File
- Drill
- Level
- Masking Tape

Before starting installation of your new enclosure, carefully read all instructions and lay out parts to become familiar with their identity.

USE OF ANCHORS

Anchors are furnished with every enclosure. However, the use of anchors is not recommended when attaching your enclosure to a fiberglass unit or wall surround with board reinforced mounting areas. Mounting holes in this case should be drilled with an 1/8" drill bit.

Mounting of this unit on tile requires the use of anchors. Special care must be taken not to crack the tile. Before drilling holes in the tile, lightly chip glazed surface of tile at the desired locations. Drill holes using a 3/16" masonry drill bit. Insert anchors into the holes making certain that ring on large end of anchor meets the surface of the tile.

CLEANING

Cleaning and care of your enclosure is important to its lasting beauty. We suggest using a nonabrasive liquid cleaner. *Never use scouring powder or pads.*

SEALING

The use of a caulking compound can assure a water-tight seal when applied along outside edge of the enclosure where metal and bath meet. If desired, caulk inside of enclosure where jambs meet walls.

Do not try to cut the mirrors or glass used in this enclosure. Tempered glass and mirrors will disintegrate if cut.

1 Sill (A) / Guide (G)

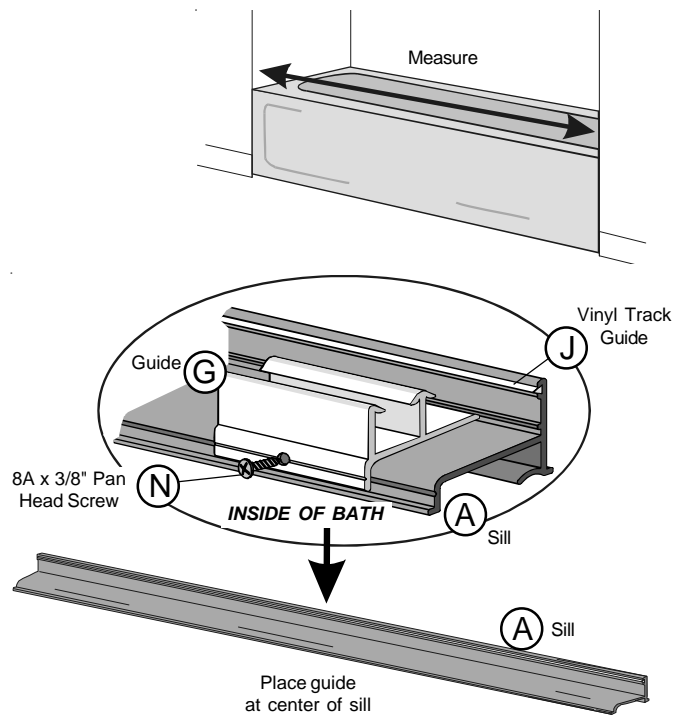
Due to the manufacturing process, there may be rack marks present at one end of your sill and header. Sill and header must be trimmed to fit your individual opening. When cutting sill and header, make certain to trim off end with rack marks.

Measure wall to wall opening at tub level and cut sill to that measurement.

Slide **vinyl track guide (J)** into small groove on upright of sill. Trim ends flush with ends of sill.

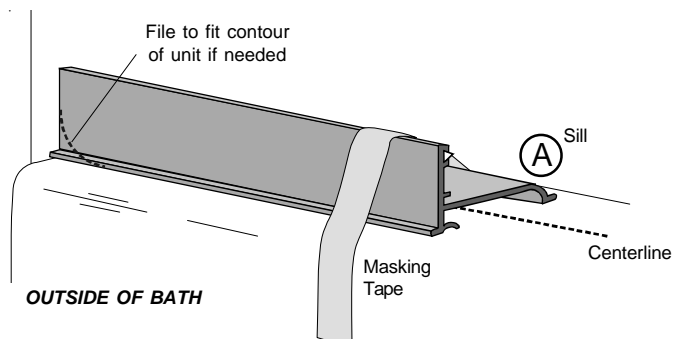
Locate center of sill. Position **guide (G)** at center of sill with curved leg fitting over curve of sill, and back of guide fitting under small lip on back upright of sill.

Position 1/8" drill bit in small groove on curved leg of guide, and drill through guide into sill. Secure guide to sill with **8A x 3/8" pan head screw (N)**.



2 Sill (A)

Position sill on centerline of tub with tall edge toward outside of tub. If necessary for a smooth fit, file corners of sill to fit contour of your unit. Tape sill to tub with masking tape. This will help hold sill in place while positioning jambs.



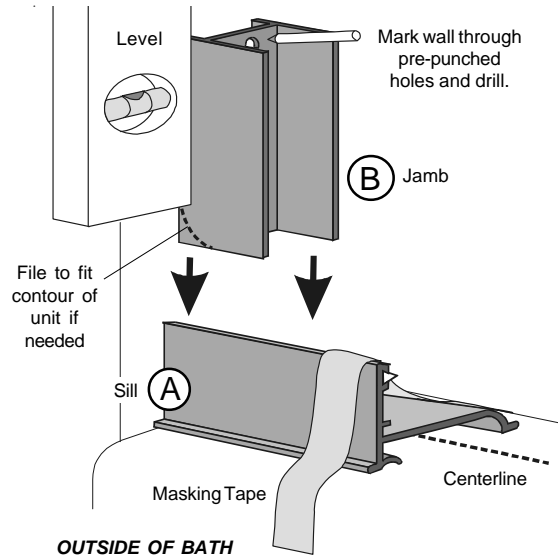
3

Jambs (B)

When anchors (M) are used holes should be drilled using 3/16" drill bit. (Use masonry bit for tile.)

Position **jamb** (B) against wall with short legs toward wall and notched end of jamb resting on sill. If necessary for a smooth fit, file back of jambs (short legs) to fit contour of your unit. Align jamb vertically using a level and mark wall through prepunched holes. Repeat procedure with remaining jamb.

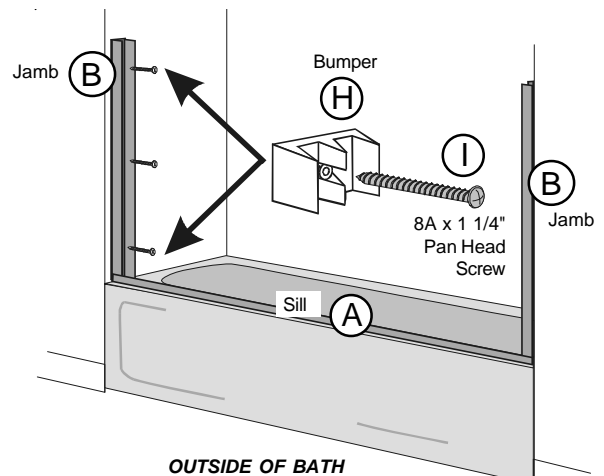
Remove jambs from tub and drill where marked using 1/8" drill bit.



4

Jambs (B) / Bumpers (H)

Reposition jambs on tub and mount to wall using **8A x 1 1/4" pan head screws** (I). Top and bottom holes are mounting positions for **bumpers** (H).



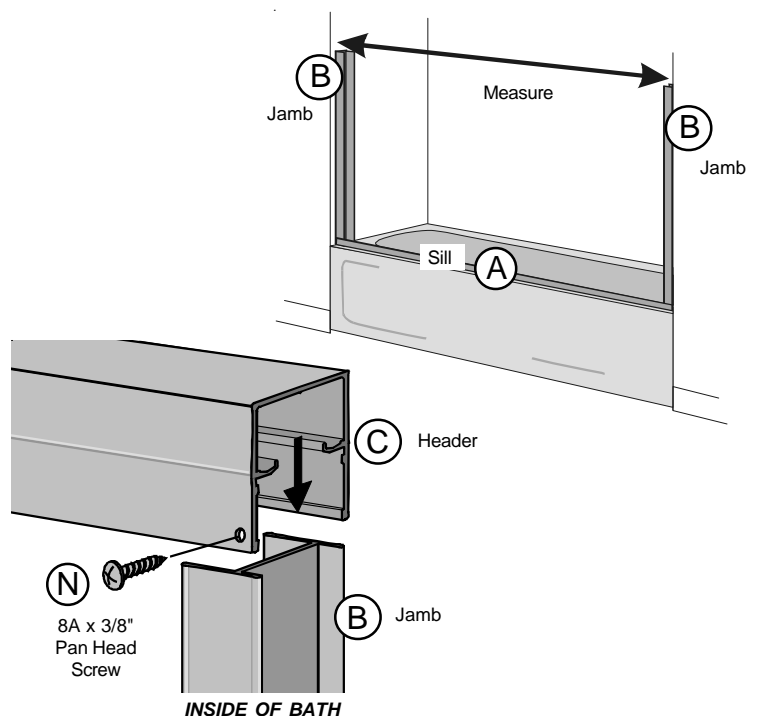
5

Header (C)

Measure from wall to wall (over the top of both jambs) and cut **header** (C) to that measurement.

Lower header over jambs until seated squarely on legs of both jambs.

Secure header to jambs by drilling a 1/8" hole through header into jambs on inside of tub near walls. Join using **8A x 3/8" pan head screws** (N).



6

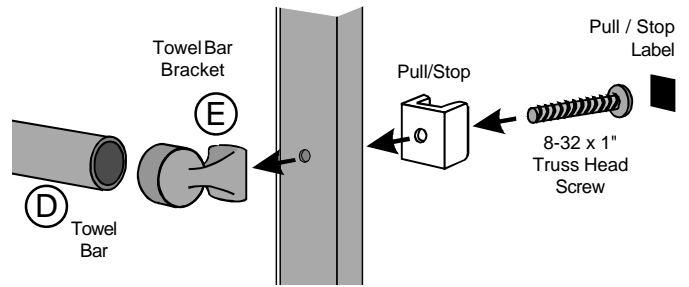
Towel Bars (D)

Note: Towel bar for outside panel faces outside of shower, while towel bar for inside panel faces inside of shower. Pull/stops should be mounted on edge of panel closest to jambs as shown in illustration.

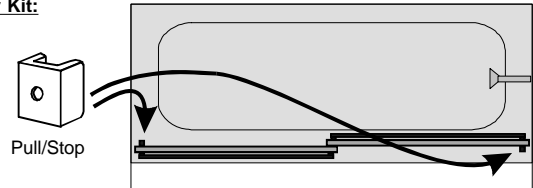
Mount one **towel bar bracket** and **pull/stop** onto door panel using **8-32 x 1" truss head screw**. Slide **towel bar (D)** into mounted bracket. Slide second bracket onto opposite end of towel bar. Mount bracket to door panel using **8-32 x 3/4" truss head screw**. Place **pull/stop label** in recessed area of pull/stops, covering screw head. Repeat for remaining panel.

TOWEL BAR/PULL HANDLE (L)

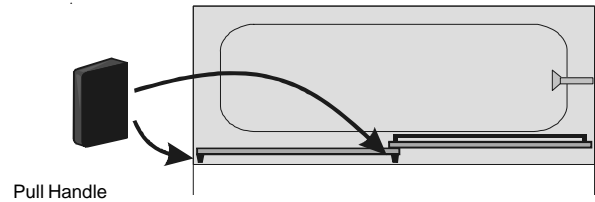
Towel bar is to be mounted on inside panel facing inside of shower. Pull handles are to be mounted on outside surface of the outside panel using 8A x 1" pan head screw.



Towel Bar Kit:



Towel Bar/ Pull Handle Kit:

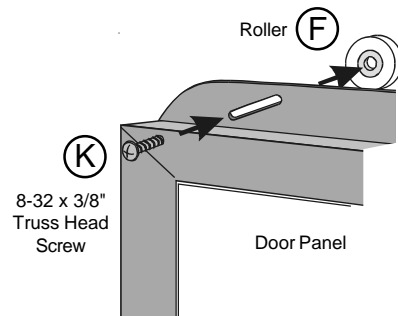


7

Rollers (F)

Mount **rollers (F)** to top channel of doors using **8-32 x 3/8" truss head screws (K)**. Rollers are to be mounted on same side of doors as towel bars and at the midpoint of slots.

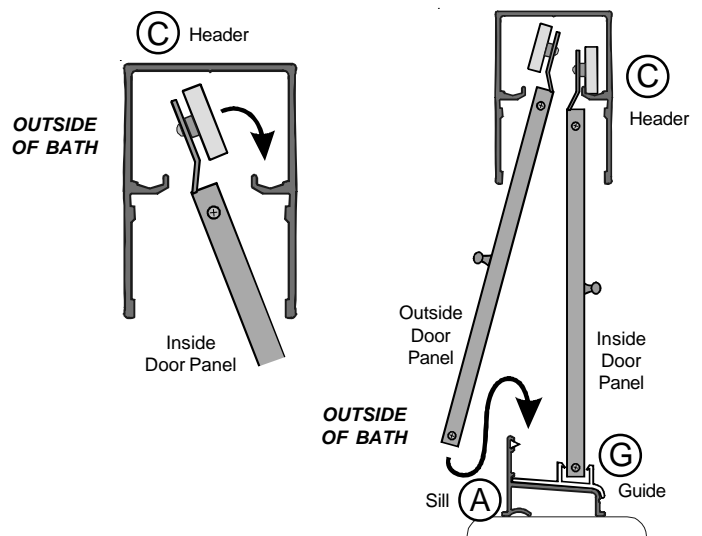
Rollers may be positioned up or down in slots to adjust for out of plumb situations.



8

Hanging Door Panels

Lift inside door panel into header with towel bar facing inside of bath. Seat rollers on roller track while guiding bottom of door into sill guide. Repeat for outside door, hanging panel with towel bar facing outside of bath.



9

Caulking

Seal unit by caulking along outside of enclosure where metal and bath meet, especially where sill and tub meet. If desired, caulk inside of enclosure where jambs meet walls.