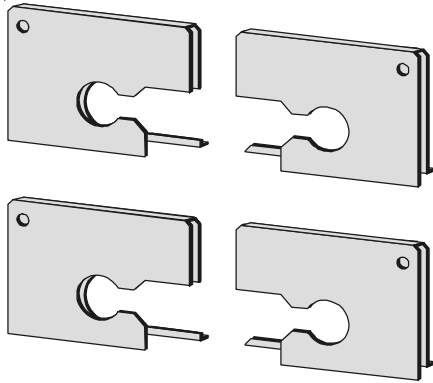


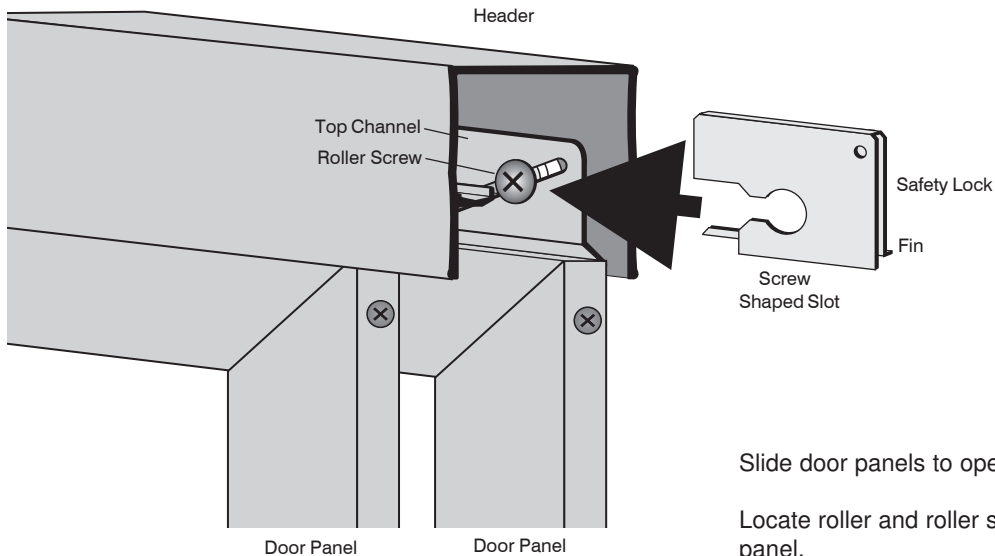
Anti-Jump Panel Clip Installation



The enclosed **Safety Locks** may be installed on bypass door panels to prevent accidental dislodging of panels from header.

Enclosed are **2 right handed** and **2 left handed Safety Locks**.

Safety Locks are installed after door is completely assembled and any necessary adjustments in roller height have been made.



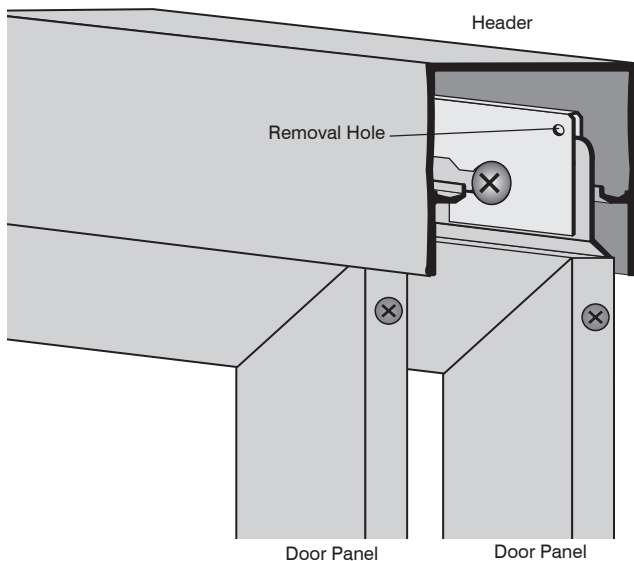
Slide door panels to open position.

Locate roller and roller screw on top channel of panel.

Position safety lock so that screw shaped slot is on screw side of top channel and fin is on roller side of top channel.

Slide safety lock over top channel until it snaps into place over screw head.

Repeat for remaining rollers.



Safety locks must be removed in order to take door panels out of header.

To remove safety locks, insert enclosed tool into hole and pull until lock slides off screw head.