

**2CC1-GP**

**Bypass Enclosure**



**Technical Assistance is available Monday - Friday, 8:00 a.m. - 5:00 p.m. (Central Time)**  
**1-877-723-7190 (Toll Free)**

# PARTS LIST

## FRAME PACKAGE

KEY	DESCRIPTION	PART	QTY
A	SILL	A609	1
B	JAMB	A605	2
C	HEADER	A631	1
E	VINYL TRACK GUIDE	V437	1
D	TOWEL BAR	A711	2

## HARDWARE BAG

F	ANCHOR	H002	6
G	BUMPER	H100	2
H	ROLLER	H342	4
I	8-32 X 3/8 TRUSS HEAD SCREW	H430	4
J	8A X 3/8 TRUSS HEAD SCREW	H470	2
K	8A X 1 1/4 PAN HEAD SCREW	H480	6
N	GUIDE	HA91	1
O	8A X 3/8 PAN HEAD SELF-DRILLING SCREW	H900	1
P	TOWEL BAR KIT	HBCB	1
	TOWEL BAR BRACKET	H920	4
	8-32 X 3/8 TRUSS HEAD SCREW	H430	8

## TOOLS NEEDED

1/8" Drill Bit  
 3/16" Drill Bit  
 (3/16" Masonry Bit for Ceramic Tile)  
 Scratch Awl  
 Measuring Tape  
 Hacksaw  
 Phillips Screw Driver  
 Caulking Compound  
 File  
 Drill  
 Level  
 Masking Tape

**Before starting installation of your new enclosure, carefully read all instructions and lay out parts to become familiar with their identity.**

### USE OF ANCHORS

Anchors are furnished with every enclosure. However, the use of anchors is not recommended when attaching your enclosure to a fiberglass unit or wall surround with board reinforced mounting areas. Mounting holes in this case should be drilled with an 1/8" drill bit.

Mounting this unit on tile requires the use of anchors. Special care must be taken not to crack the tile. Before drilling holes in the tile, lightly chip glazed surface of tile at the desired locations. Drill holes using a 3/16" masonry drill bit. Insert anchors into the holes making certain that ring on large end of anchor meets the surface of the tile.

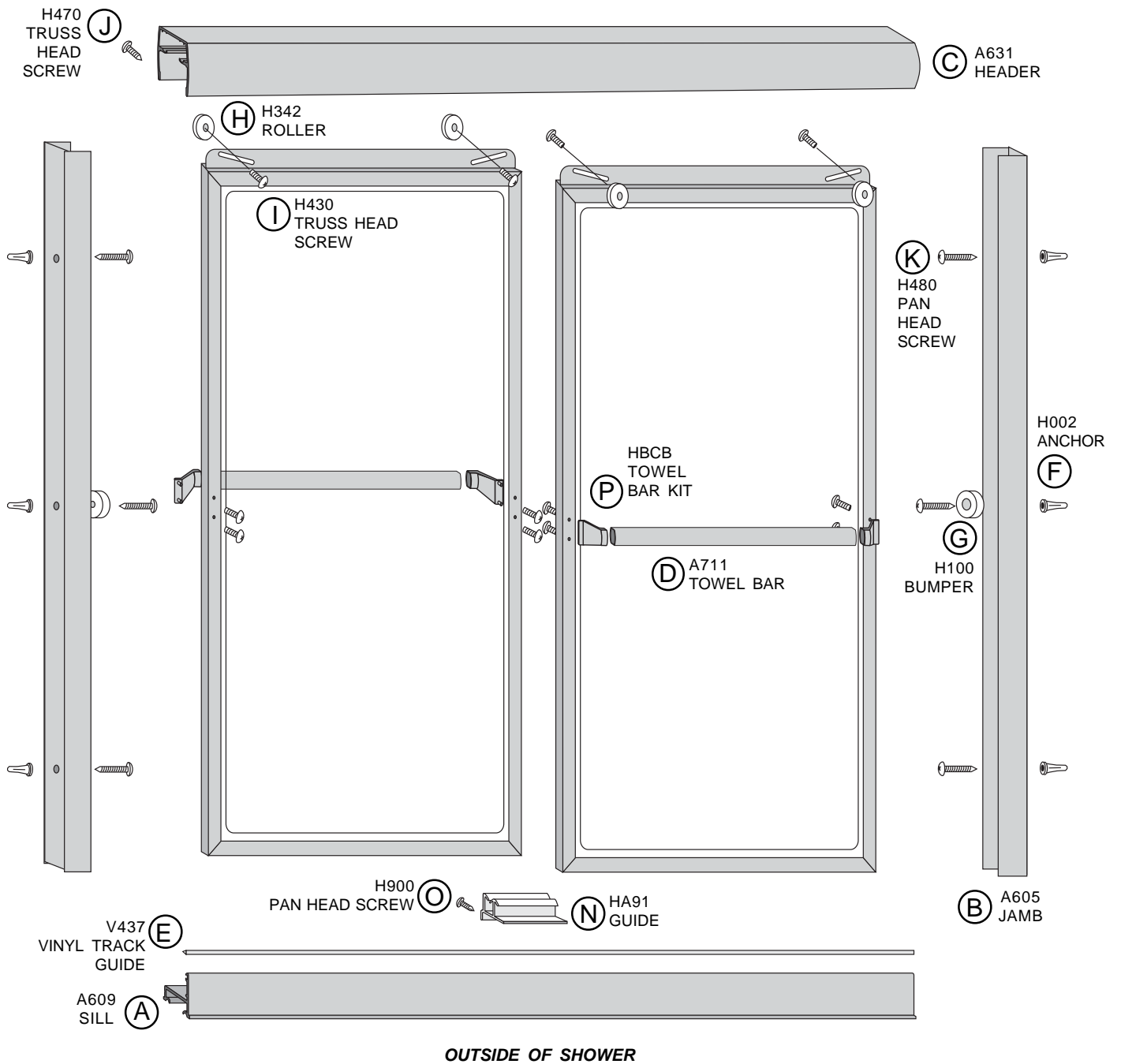
### CLEANING

Cleaning and care of your enclosure is important to its lasting beauty. A nonabrasive liquid cleaner is recommended.  
*Never use scouring powder or pads.*

### SEALING

The use of a caulking compound can assure a water-tight seal when applied along outside edge of the enclosure where metal and bath meet. If desired, caulk inside of enclosure where jambs meet walls.

**Do not try to cut the mirrors or glass used in this enclosure.  
 Tempered glass and mirrors will disintegrate if cut.**



**(I) 8-32 x 3/8 Truss Head Screw**  
*(H430 - Used for Rollers)*

**(J) 8A x 3/8 Truss Head Self Drilling Screw**  
*(H470 - Used for Header)*

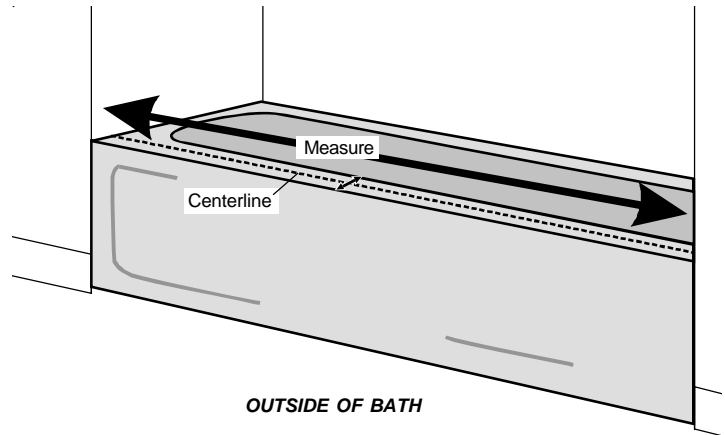
**(K) 8A x 1 1/4 Pan Head Screw**  
*(H480 - Used for Jamb)*

**(O) 8A x 3/8 Pan Head Screw**  
*(H900 - Used for Guide)*

**(P) 8-32 x 3/8 Truss Head Screw**  
*(H430 - Used for Towel Bar Brackets)*

## 1 Centerline

Measure your threshold width and determine the centerline. Measure wall to wall at tub level on the centerline.



## 2 Sill (A) / Guide (N)

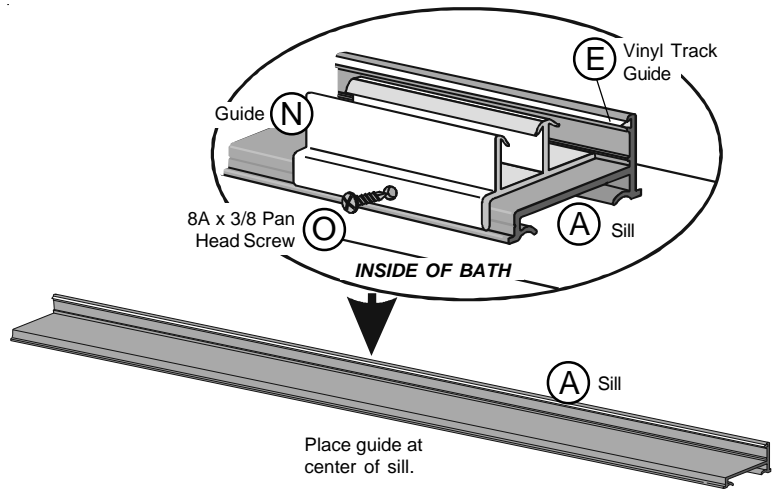
**Due to the manufacturing process, there may be rack marks present at one end of your sill and header. Sill and header must be trimmed to fit your individual opening. When cutting sill and header, make certain to trim off end with rack marks.**

Cut **sill (A)**  $3/4$ " less than centerline measurement.

Slide **vinyl track guide (E)** into small groove on upright of sill. Trim end flush with edge of sill.

Locate center of sill. Position **guide (N)** at center of sill with curved leg fitting over curve of sill, and back of guide fitting under small lip on back upright of sill.

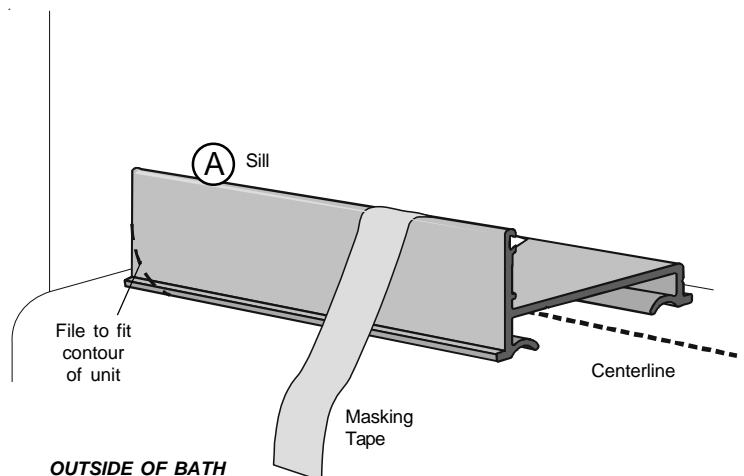
Position  $1/8$ " drill bit in small groove on curved leg of guide and drill through guide into sill. Secure guide to sill with **8A x  $3/8$ " pan head screw (O)**.



## 3 Sill (A)

Position sill on centerline of tub with tall edge of sill toward outside of tub. If necessary for a smooth fit, file ends of sill to fit contour of unit.

Tape sill to tub with masking tape. This will help hold sill in place while positioning jamba.



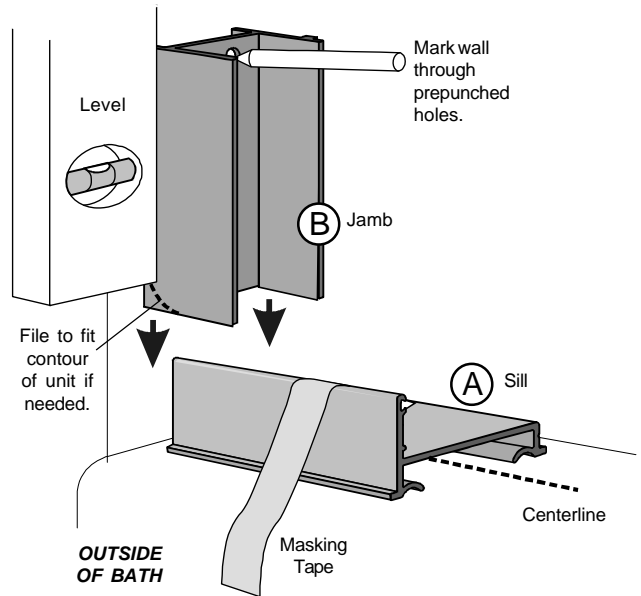
4

Jamb (B)

When anchors (F) are used holes should be drilled using 3/16" drill bit. (Use masonry bit for tile.)

Place one **jamb** (B) against wall with short legs toward wall and bottom resting firmly on sill. If necessary for a smooth fit, file back of jamb (short legs) to fit contour of your unit. Align jamb vertically using a level and mark wall through prepunched holes. Repeat with remaining jamb.

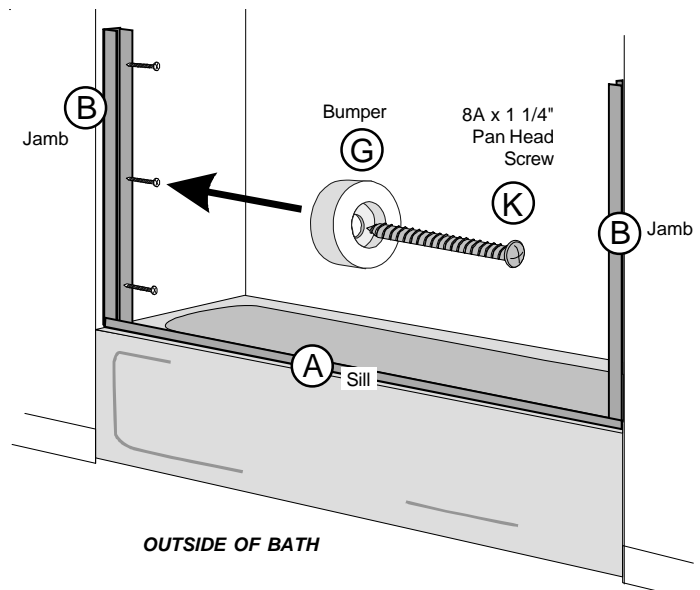
Remove jambs and drill where marked using 1/8" drill bit.



5

Jamb (B) / Bumper (G)

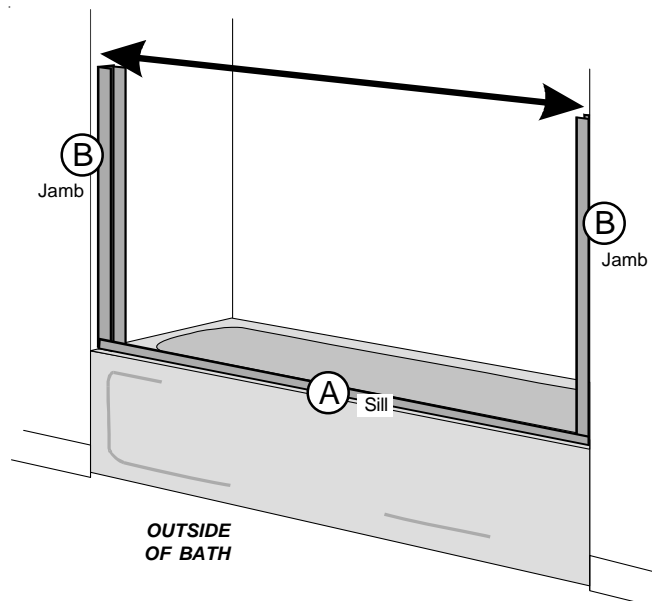
Reposition jambs on tub and mount to wall using **8A x 1 1/4" pan head screws** (K). Mount **bumpers** (G) in middle holes.



6

Header (C)

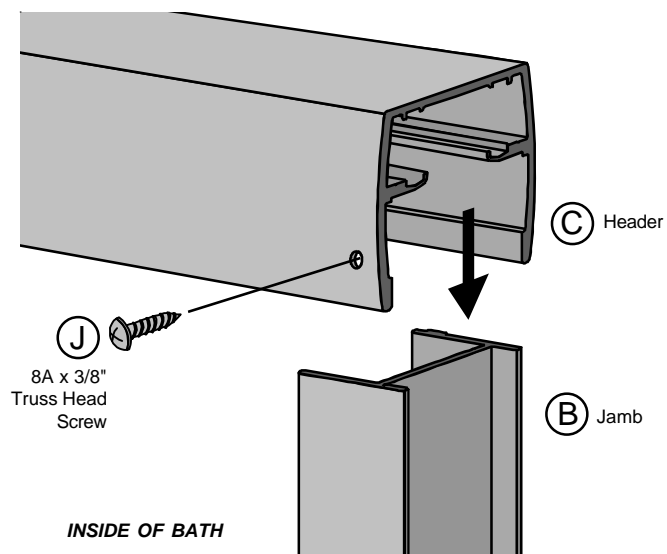
Measure from wall to wall (over the top of both jambs) and cut **header** (C) to that measurement.



## 7 Header (C)

Lower header over jambs until seated squarely on both jambs.

Attach header to jambs by drilling a 1/8" hole through header into jambs on inside of tub near walls. Secure using **8A x 3/8" truss head screws (J)**.

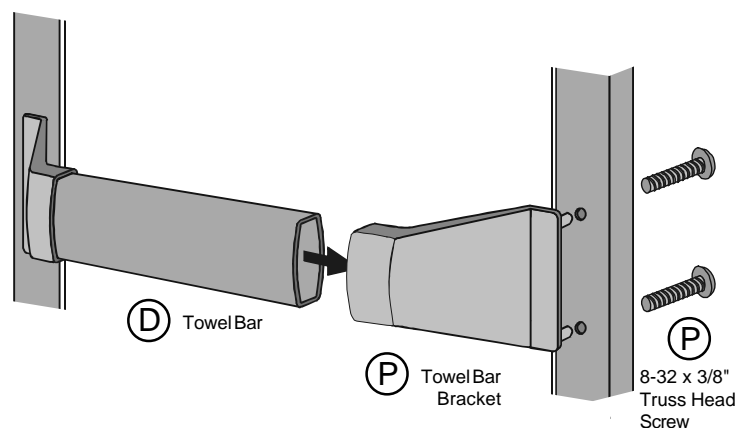


## 8 Towel Bar (D)

Towel bar for outside panel faces outside of bath while towel bar for inside panel faces inside of bath.

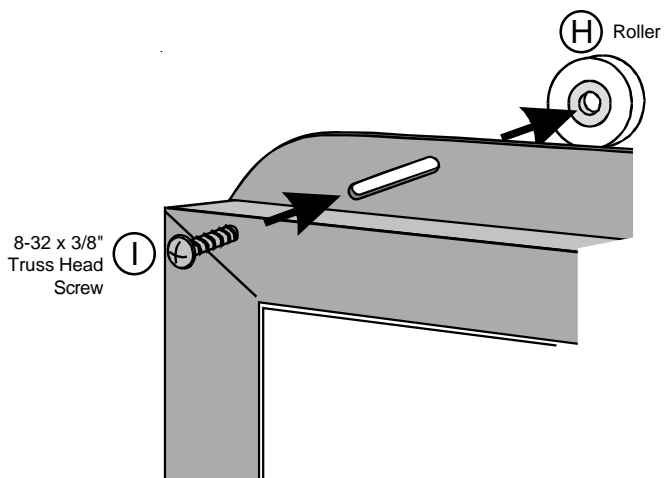
Mount one **towel bar bracket** from **towel bar kit (P)** onto door channel using **8-32 x 3/8" truss head screws**. Insert **towel bar (D)** into mounted bracket. Slide second towel bar bracket onto opposite end of towel bar and secure to door.

Repeat for remaining door panel.



## 9 Rollers (H)

Mount **rollers (H)** to top channel of doors using **8-32 x 3/8" truss head screws (I)**. Rollers are to be mounted on same side of doors as towel bars and at the midpoint of slots. Rollers may be positioned up or down to adjust for out of plumb conditions.

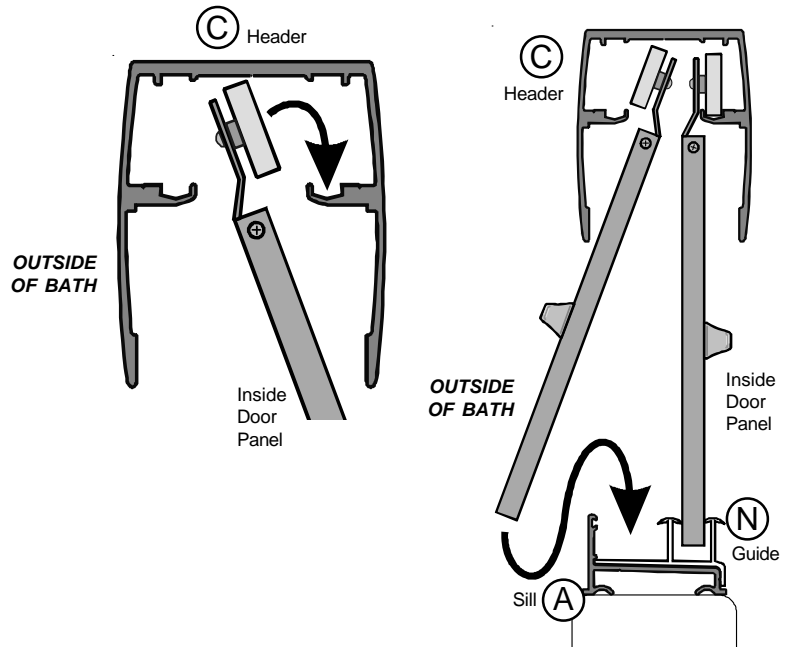


10

### Hanging Inside Door Panel

Lift inside door panel into header with towel bar facing inside of bath. Seat rollers in roller track while guiding bottom of door into sill guide.

Repeat for outside door, hanging panel with towel bar facing outside of bath.



11

### Caulking

Seal unit by caulking along outside edge of enclosure where metal and bath meet, especially where sill and tub meet. If desired, caulk inside enclosure where jambs meet walls.

