

FRAME PACKAGE

KEY	DESCRIPTION	PART	QTY
A	SILL	A610	1
B	JAMB	A605	2
C	HEADER	A620	1
E	DOOR SILENCER	HT33	1
D	TOWEL BAR	A711	2

HARDWARE BAG PARTS

F	ANCHOR	H002	6
G	BUMPER	H103	2
H	ROLLER	H343	4
I	8-32 X 3/8 TRUSS HEAD SCREW	H430	4
J	8A X 3/8 TRUSS HEAD SCREW	H470	2
K	8A X 1 1/4 PAN HEAD SCREW	H480	6
M	8B X 3/8 FLAT HEAD SCREW	H468	2
N	GUIDE	HG80	1
O	WATERDEFLECTOR	HA10	2
P	TOWEL BAR KIT	HBCB	
	TOWEL BAR BRACKET	H920	4
	8-32 X 3/8 TRUSS HEAD SCREW	H430	8

TOOLS NEEDED

- 1/8" Drill Bit
- 3/16" Drill Bit
- (3/16" Masonry Bit for Ceramic Tile)
- Scratch Awl
- Measuring Tape
- Hacksaw
- Phillips Screw Driver
- Caulking Compound
- File
- Drill
- Level
- Masking Tape

Before starting installation of your new enclosure, carefully read all instructions and lay out parts to become familiar with their identity.

USE OF ANCHORS

Anchors are furnished with every enclosure. However, the use of anchors is not recommended when attaching your enclosure to a fiberglass unit or wall surrounds with board reinforced mounting areas. Mounting holes in this case should be drilled with an 1/8" drill bit.

Mounting of this unit on tile requires the use of anchors. Special care must be taken not to crack the tile. Before drilling holes in the tile, lightly chip glazed surface of tile at the desired locations. Drill holes using a 3/16" masonry drill bit. Insert anchors into the holes making certain that ring on large end of anchor meets the surface of the tile.

CLEANING

Cleaning and care of your enclosure is important to its lasting beauty. We suggest using a nonabrasive liquid cleaner. *Never use scouring powder or pads.*

SEALING

The use of a caulking compound can assure a water-tight seal when applied along outside edge of the enclosure where metal and bath meet. If desired, caulk inside of enclosure where jambs meet walls.

Do not try to cut the mirrors or glass used in this enclosure. Tempered glass and mirrors will disintegrate if cut.

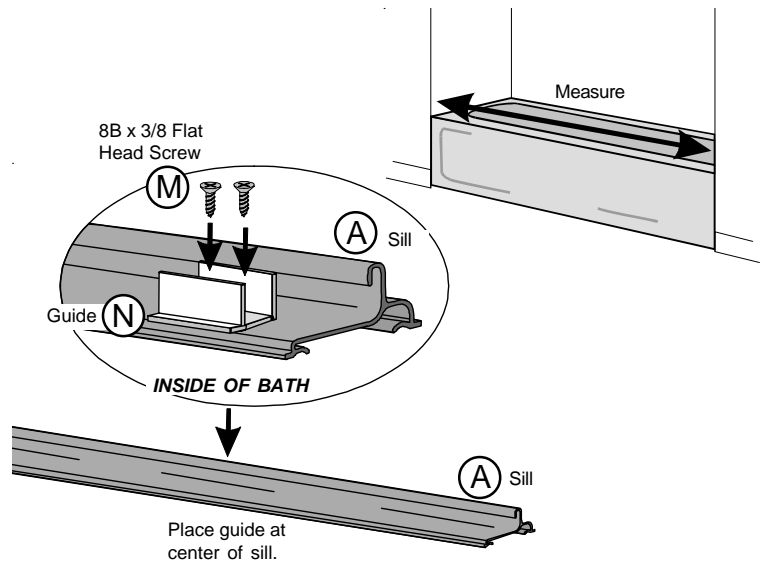
1 Sill (A)

Due to the manufacturing process, there may be rack marks present at one end of your sill and header. Sill and header must be trimmed to fit your individual opening. When cutting sill and header, make certain to trim off end with rack marks.

Measure wall to wall opening at tub level and cut **sill (A)** 3/4" less than that measurement.

Position **guide (N)** at center of sill with small lip of guide to tubside edge of sill. Attach guide by peeling off protective cover from tape and pressing onto sill.

Secure guide to sill by drilling with 1/8" drill bit through guide into sill, and fasten using **8B x 3/8" flat head screws (M)**.



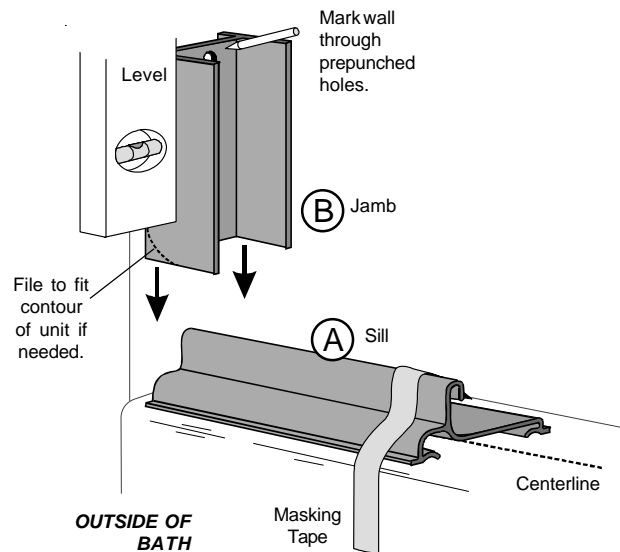
2 Jamb (B)

When anchors (F) are used holes should be drilled using 3/16" drill bit. (Use masonry bit for tile.)

Position sill on centerline of tub with tall edge of sill toward outside of tub. Tape sill to tub with masking tape. This will help hold sill in place while positioning jambs.

Place one **jamb (B)** against wall with short legs toward wall and bottom resting firmly on sill. If necessary for a smooth fit, file back of jamb (short legs) to fit contour of your unit. Align jamb vertically using a level and mark wall through prepunched holes. Repeat with remaining jamb.

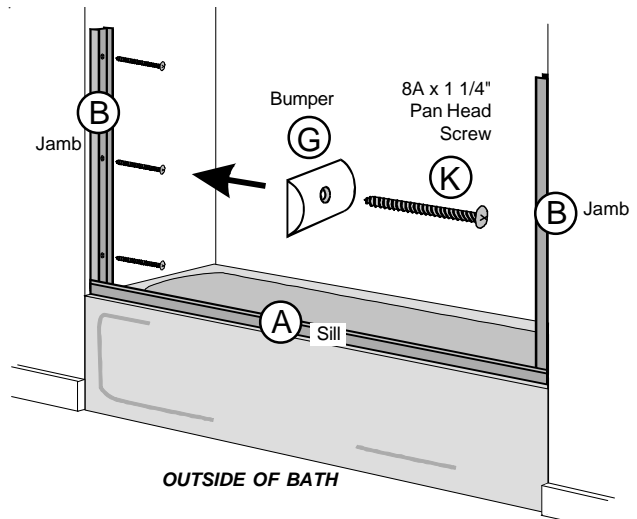
Remove jambs and drill where marked using 1/8" drill bit.



3

Jamb (B) / Bumper (G)

Reposition jambs on tub and mount to wall using **8A x 1 1/4" pan head screws (K)**. Mount **bumpers (G)** in middle holes.



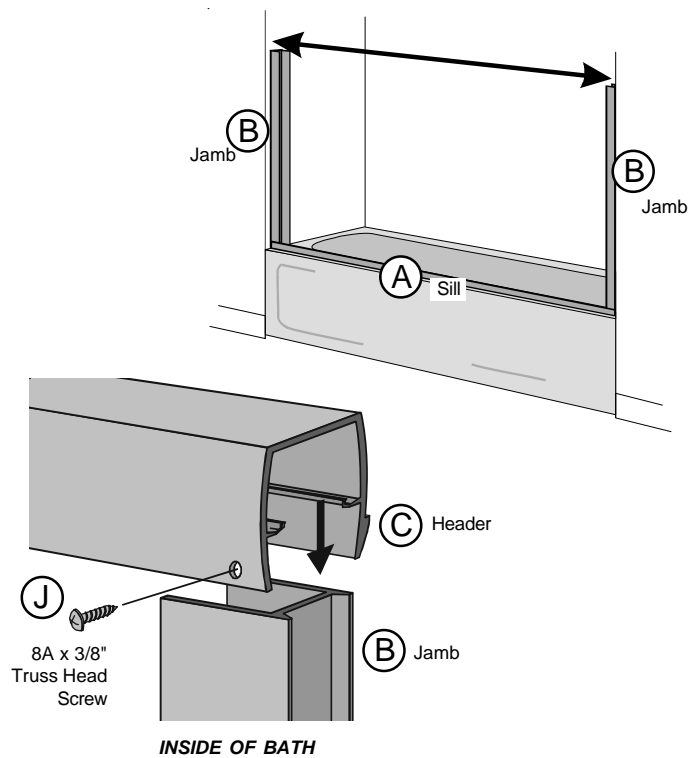
4

Header (C)

Measure from wall to wall (over the top of both jambs) and cut **header (C)** to that measurement.

Lower header over jambs until seated squarely on legs of both jambs.

Secure header to jambs by drilling a 1/8" hole through header into jambs on inside of tub near walls. Use **8A x 3/8" truss head screws (J)** to secure header in place.



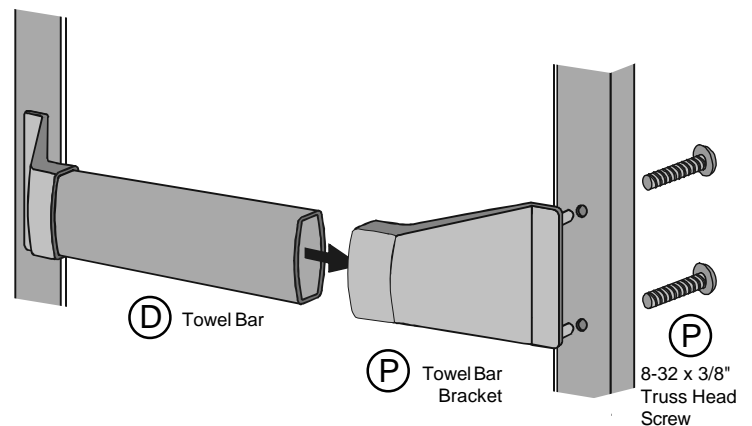
5

Towel Bar (D)

Towel bar for outside panel faces outside of bath while towel bar for inside panel faces inside of bath.

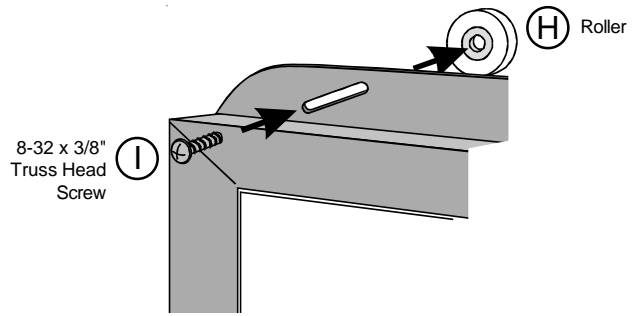
Mount one **towel bar bracket (P)** from **towel bar kit (P)** onto door channel using **8-32 x 3/8" truss head screws**. Insert **towel bar (D)** into mounted bracket. Slide second towel bar bracket onto opposite end of towel bar and secure to door.

Repeat for remaining door panel.

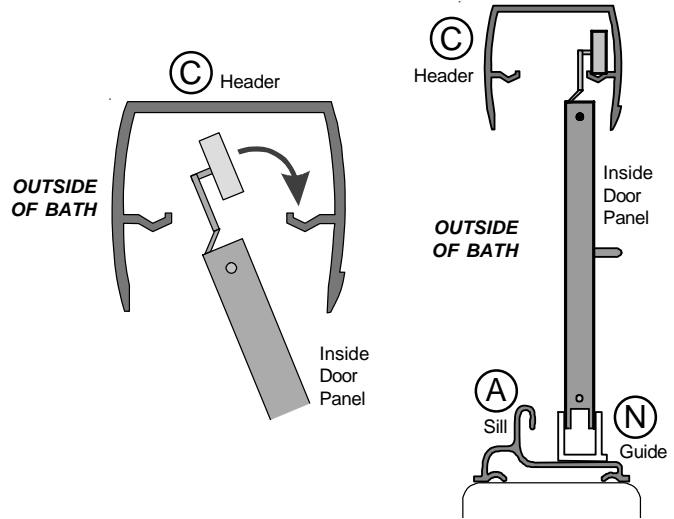


6**Rollers (H)**

Mount **rollers (H)** to top channel of doors using **8-32 x 3/8" truss head screws (I)**. Rollers are to be mounted on same side of doors as towel bars and at the midpoint of slots. Rollers may be positioned up or down to adjust for out of plumb conditions.

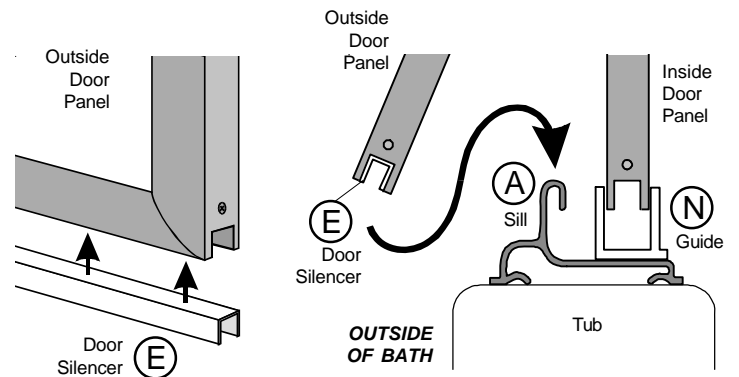
**7****Hanging Inside Door Panel**

Lift inside door panel into header with towel bar facing inside of bath. Seat rollers on roller track inside of header while guiding bottom of door into guide on sill.

**8****Door Silencer (E) / Outside Door Panel**

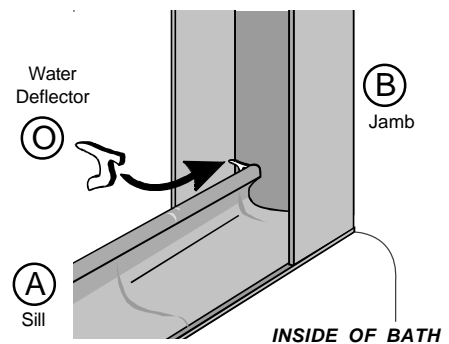
Snap **door silencer (E)** into bottom of outside door panel.

Lift outside door into header with towel bar facing outside of bath. Position bottom channel of door over front high ridge of sill as rollers are seated in header.

**9****Water Deflector (O)**

Place **water deflector (O)** in position between high ridge of sill and side of jamb.

Repeat for opposite side.



Seal unit by caulking along outside edge of enclosure where metal and bath meet, especially where sill and tub meet. If desired, caulk inside enclosure where jambs meet walls.