

2PJ6-GP

Provincial Bypass Enclosure



**Technical Assistance is available Monday - Friday 8:00 a.m. - 5:00 p.m. (Central Time)
1-877-723-7190**

PARTS LIST

FRAME PACKAGE

KEY	DESCRIPTION	PART	QTY
A	SILL	A610	1
B	JAMB	A605	2
C	HEADER	A631	1
E	DOOR SILENCER	HT33	1

HARDWARE BAG

F	ANCHOR	H002	6
G	BUMPER	H100	2
H	ROLLER	H342	4
M	8-32 X 3/8 TRUSS HEAD SCREW	H430	4
I	8A X 3/8 TRUSS HEAD SCREW	H470	2
J	8A X 1 1/4 PAN HEAD SCREW	H480	6
K	PULL HANDLE KIT	HT6C	
	PULL HANDLE		2
	ROUNDBUSHING		4
	PLASTIC WASHER		8
	END CAP / SCREW		4
N	8B X 3/8 FLAT HEAD SCREW	H468	2
O	GUIDE	HG80	1
P	WATER DEFLECTOR	HA10	2

TOOLS NEEDED

1/8" Drill Bit
 3/16" Drill Bit
 (3/16" Masonry Bit for Ceramic Tile)
 Pencil
 Measuring Tape
 Hacksaw
 Phillips Screw Driver
 Silicone Caulk
 File
 Drill
 Level
 Masking Tape
 Allen Wrench

Before starting installation of your new enclosure, carefully read all instructions and lay out parts to become familiar with their identity.

USE OF ANCHORS

Anchors are furnished with every enclosure. However, the use of anchors is not recommended when attaching your enclosure to a fiberglass unit or wall surrounds with board reinforced mounting areas. Mounting holes in this case should be drilled with an 1/8" drill bit.

Mounting of this unit on tile requires the use of anchors. Special care must be taken not to crack the tile. Before drilling holes in the tile, lightly chip glazed surface of tile at the desired locations. Drill holes using a 3/16" masonry drill bit. Insert anchors into the holes making certain that ring on large end of anchor meets the surface of the tile.

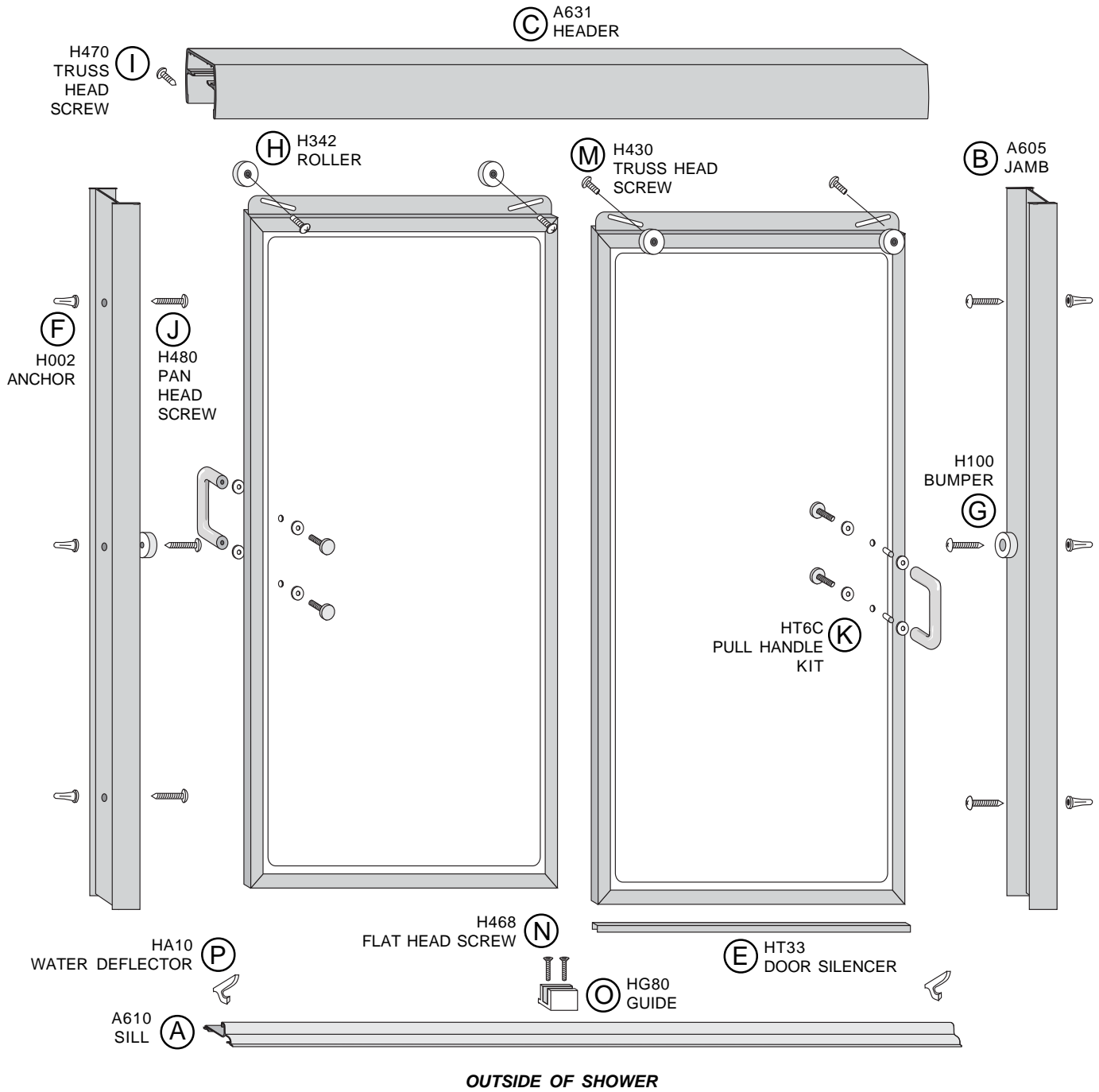
CLEANING


Cleaning and care of your enclosure is important to its lasting beauty. We suggest using a nonabrasive liquid cleaner.
Never use scouring powder or pads.

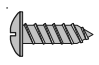
SEALING

The use of a caulking compound can assure a water-tight seal when applied along outside edge of the enclosure where metal and bath meet. If desired, caulk inside of enclosure where jambs meet walls.

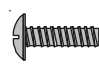
**Do not try to cut the mirrors or glass used in this enclosure.
 Tempered glass and mirrors will disintegrate if cut.**



 **(J) 8A x 1 1/4 Pan Head Screw**
(H480 - Used for Jamb)

 **(I) 8A x 3/8 Truss Head Screw**
(H470 - Used for Header)

 **(N) 8B x 3/8 Flat Head Screw**
(H468 - Used for securing Guide)

 **(M) 8-32 x 3/8 Truss Head Screw**
(H430 - Used for Rollers)

1

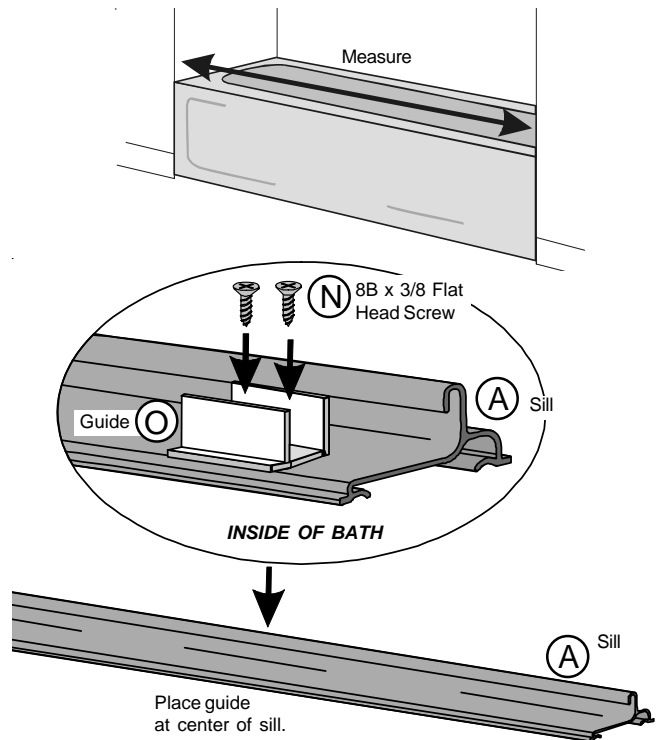
Sill (A) / Guide (O)

Due to the manufacturing process, there may be rack marks present at one end of your sill and header. Sill and header must be trimmed to fit your individual opening. When cutting sill and header, make certain to trim off end with rack marks.

Measure wall to wall opening at tub level and cut sill (A) 3/4" less than that measurement.

Locate center of sill. Attach guide (O) to sill, at center, by peeling protective cover from tape, and pressing guide in place on sill.

Drill through guide into sill using 1/8" drill bit. Secure using 8B x 3/8" flat head screws (N).



2

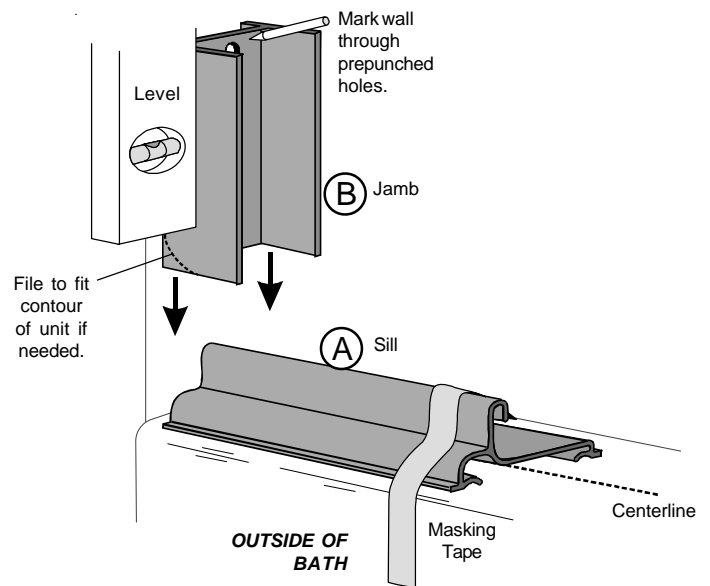
Jamb (B)

When anchors (F) are used holes should be drilled using 3/16" drill bit. (Use masonry bit for tile.)

Position sill on centerline of tub with tall edge of sill toward outside of tub. Tape sill to tub with masking tape. This will help hold sill in place while positioning jamba.

Place one jamb (B) against wall with short legs toward wall and bottom of jamb on sill. If necessary for a smooth fit, file back of jamb (short legs) to fit contour of your unit. Align jamb vertically using a level and mark wall through prepunched holes. Repeat with remaining jamb.

Remove jamba from tub and drill where marked using 1/8" drill bit.

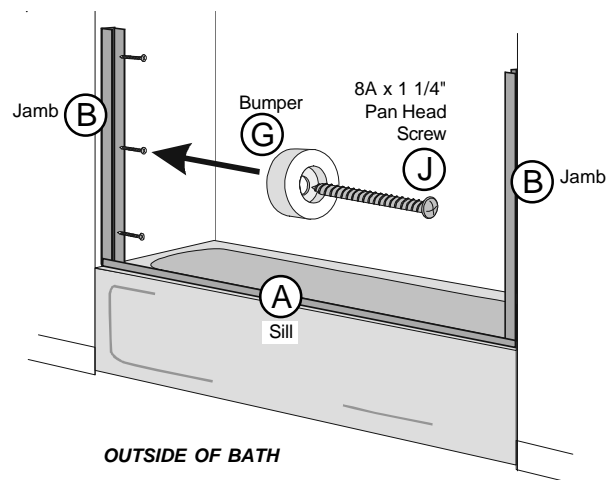


3

Bumpers (G)

Reposition jamba on tub and mount to wall using 8A x 1 1/4" pan head screws (J).

Middle holes are mounting positions for bumpers (G).

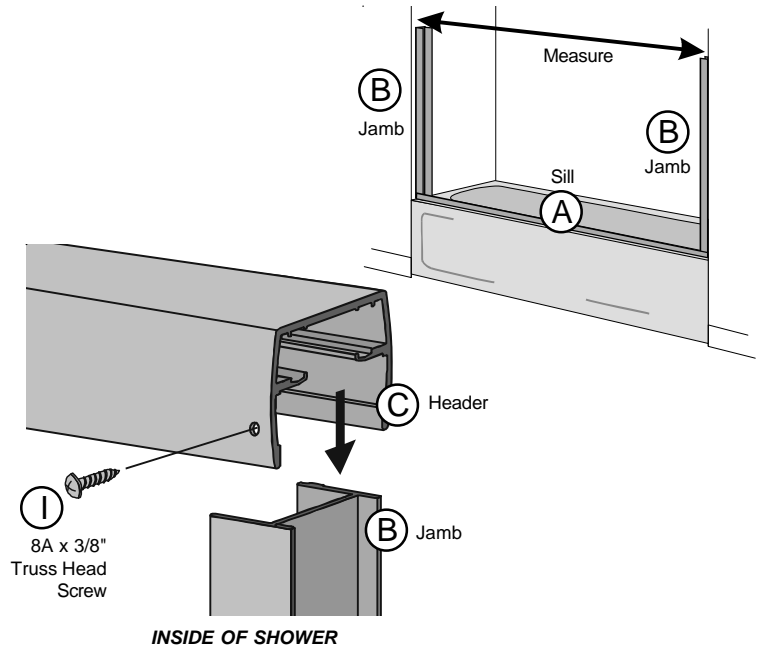


4 Header (C)

Measure from wall to wall (over the top of both jambs) and cut **header** (C) to that measurement.

Lower header over jambs until seated squarely on both jambs.

Attach header to jambs by drilling a 1/8" hole through header into jambs on inside of tub near walls. Secure using **8A x 3/8" truss head screws** (I).

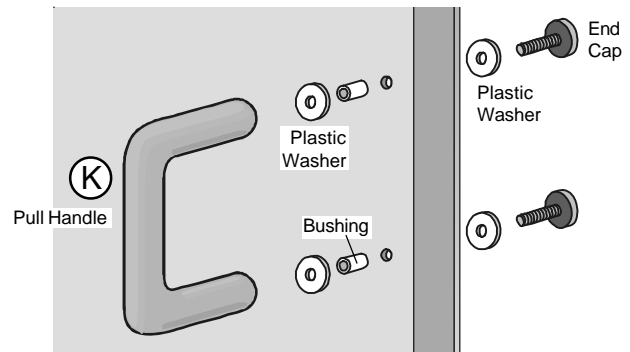
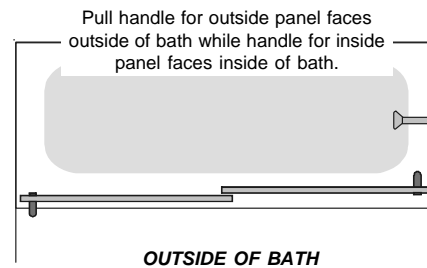


5 Pull Handles (K)

Pull handles from **pull handle kit** (K) are mounted onto door panels through predrilled holes in glass. *Pull handle for outside panel faces outside of bath while handle for inside panel faces inside of bath.*

Pull handle kit comes with parts assembled in the order they will be installed on glass. Disassemble parts. Press bushings into holes in glass. Trim as needed so that bushings are flush with surface of the glass.

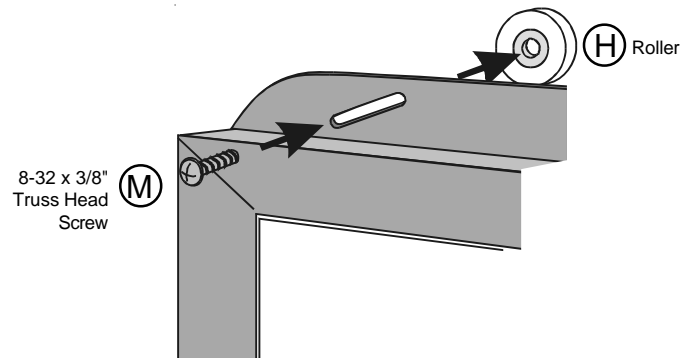
Reassemble pull handle, plastic washers, and end cap on door panel as shown. Allen wrench may be used to aid in tightening by inserting into hole of end cap and turning. Repeat for remaining door panel.



6 Rollers (H)

Mount **rollers** (H) to top channel of doors using **8-32 x 3/8" truss head screws** (M) provided. Rollers are to be mounted on same side of doors as pull handle, and at midpoint of slots.

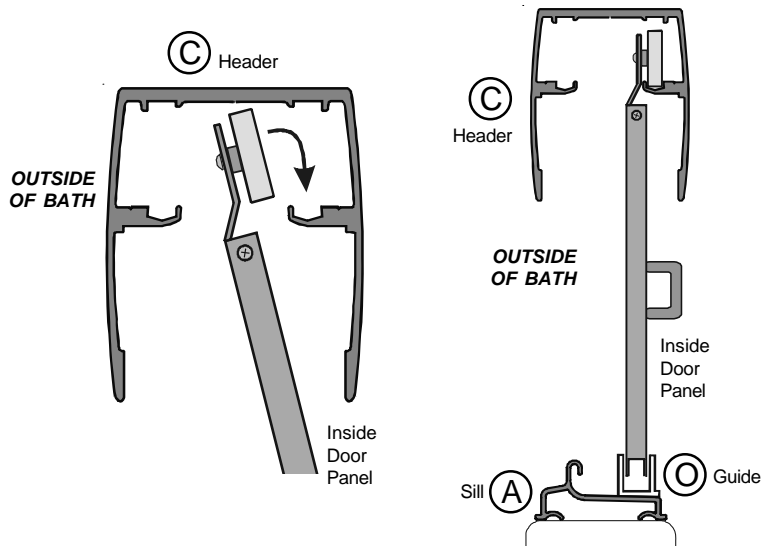
Rollers may be positioned up or down in slots to adjust for out of plumb situations.



7

Hanging Door Panel

Lift inside door panel into header with pull handle facing inside of bath. Seat rollers on roller track while guiding bottom of door into guide.

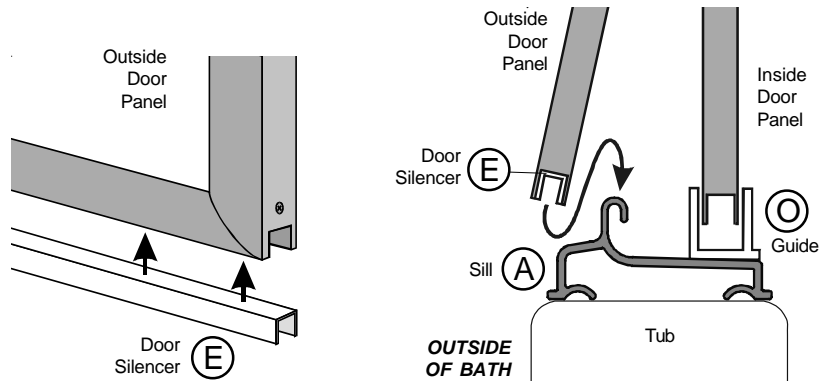


8

Door Silencer (E)

Snap **door silencer** (E) into bottom of outside door panel.

Lift outside door into header with pull handle facing outside of bath. Position bottom channel of door over front high ridge of sill as rollers are seated in header.

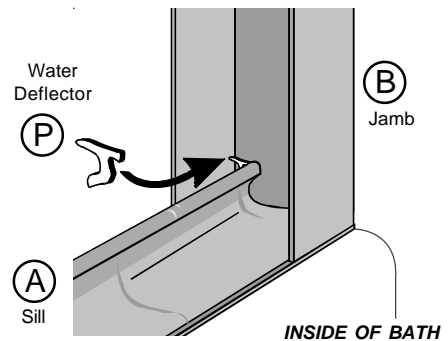


9

Water Deflector (P)

Place **water deflector** (P) in position between high ridge of sill and side of jamb.

Repeat for opposite side.



10

Caulking

The use of a caulking compound will assure a water-tight seal. Seal unit by applying caulk along outside edge of enclosure where metal and bath meet, especially where sill meets tub.

If desired, caulk inside of enclosure where jambs meet walls.

