

**2QG1-GP**

**Frameless Bypass Enclosure**



**Technical Assistance is available Monday - Friday, 8:00 a.m. - 5:00 p.m. (Central Time)**  
**1-877-723-7190 (Toll Free)**

# PARTS LIST

## FRAME PACKAGE

KEY	DESCRIPTION	PART	QTY
A	SILL	A609	1
B	JAMB	A605	2
C	HEADER	A629	1
D	ROLLER FIN / TOP CHANNEL	A800	2
V	VINYL TRACK GUIDE	V438	1

## HARDWARE BAG

G	GUIDE	HAG1	1
M	8A X 3/8 PAN HEAD SELF-DRILLING SCREW	H900	1
I	ANCHOR	H002	6
K	8A X 1 1/4 PAN HEAD SCREW	H480	6
J	BUMPER	H103	4
L	8A X 3/8 TRUSS HEAD SCREW	H470	2
E	ROLLER	H344	4
F	ROLLER SCREW	H345	4
N	ROLLER WASHER	H346	4
H	TOWEL BAR KIT	HT24	2
	TOWEL BAR		2
	ROUNDBUSHING		4
	PLASTIC WASHER		8
	HANDLE / END CAP		4

## TOOLS NEEDED

1/8" Drill Bit  
 3/16" Drill Bit  
 (3/16" Masonry Bit for  
 Ceramic Tile)  
 Pencil  
 Scratch Awl  
 Measuring Tape  
 Hacksaw  
 Phillips Screw Driver  
 Silicone Caulk  
 File  
 Drill  
 Level  
 Masking Tape

**Before starting installation of your new enclosure, carefully read all instructions and lay out parts to become familiar with their identity.**

### USE OF ANCHORS

Anchors are furnished with every enclosure. However, the use of anchors is not recommended when attaching your enclosure to a fiberglass unit or wall surround with board reinforced mounting areas. Mounting holes in this case should be drilled with an 1/8" drill bit.

Mounting this unit on tile requires the use of anchors. Special care must be taken not to crack the tile. Before drilling holes in the tile, lightly chip glazed surface of tile at the desired locations. Drill holes using a 3/16" masonry drill bit. Insert anchors into the holes making certain that ring on large end of anchor meets the surface of the tile.

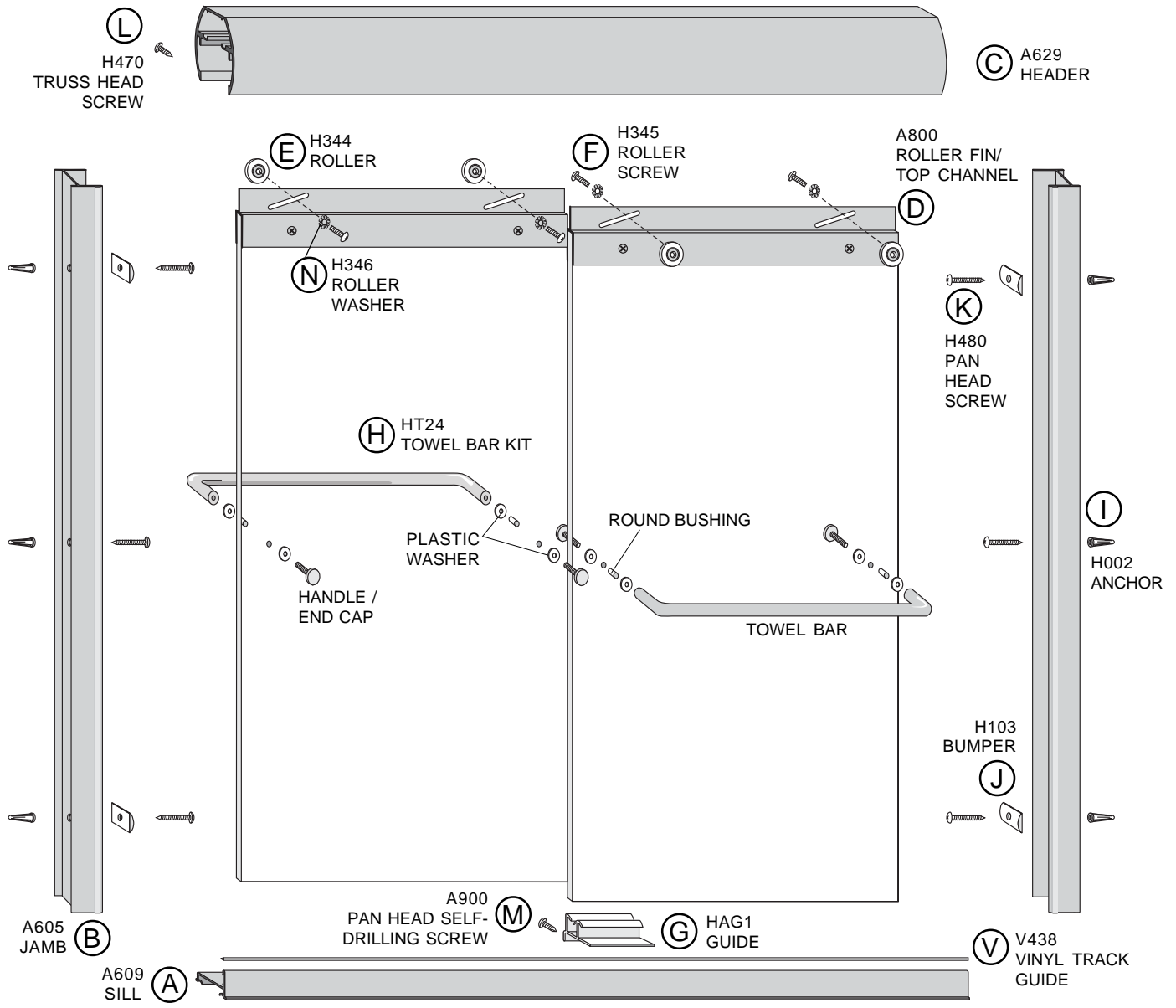
### CLEANING

Cleaning and care of your enclosure is important to its lasting beauty. A nonabrasive liquid cleaner is recommended.  
*Never use scouring powder or pads.*

### SEALING

The use of a caulking compound can assure a water-tight seal when applied along outside edge of the enclosure where metal and bath meet. If desired, caulk inside of enclosure where jambs meet walls.

**Do not try to cut the mirrors or glass used in this enclosure.  
 Tempered glass and mirrors will disintegrate if cut.**



**OUTSIDE OF SHOWER**

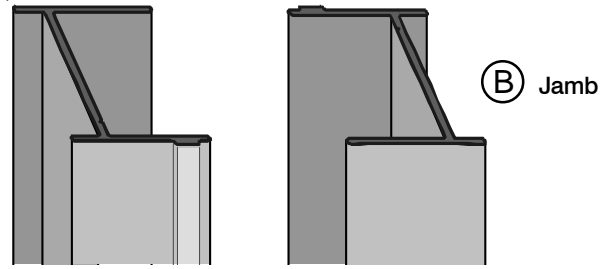
**(K) 8A x 1 1/4 Pan Head Screw**  
 (H480 - Used for Jamb)

**(F) Roller Screw**  
 (H345 - Used for Rollers)

**(L) 8A x 3/8 Truss Head Screw**  
 (H470 - Used to secure Header to Jamb)

**(M) 8A x 3/8 Pan Head Self-Drilling Screw**  
 (H900 - Used for Guide)

Jambs are designed with reversible surfaces, each having a distinctly different look. Select your preference before beginning installation.



## 1 Sill (A) / Guides (V), (G)

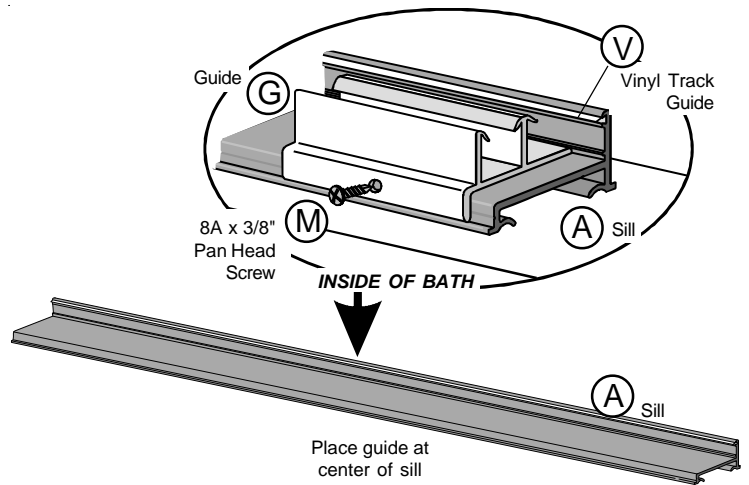
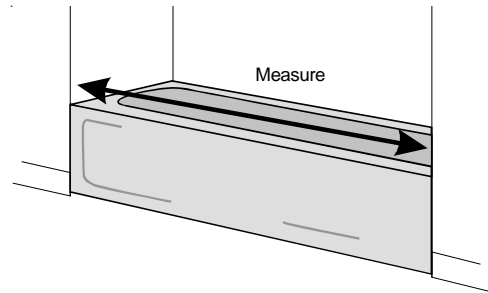
Due to the manufacturing process, there may be rack marks present at one end of your sill and header. Sill and header must be trimmed to fit your individual opening. When cutting sill and header, make certain to trim off end with rack marks.

Measure wall to wall opening at tub level and cut **sill (A)** 3/4" less than that measurement.

Slide **vinyl track guide (V)** into small groove on upright of sill. Trim end flush with edge of sill.

Locate center of sill. Position **guide (G)** at center of sill with curved leg fitting over curve of sill, and back of guide fitting under small lip on back upright of sill.

Position 1/8" drill bit in small groove on curved leg of guide and drill through guide into sill. Secure guide to sill with **8A x 3/8" pan head screw (M)**.



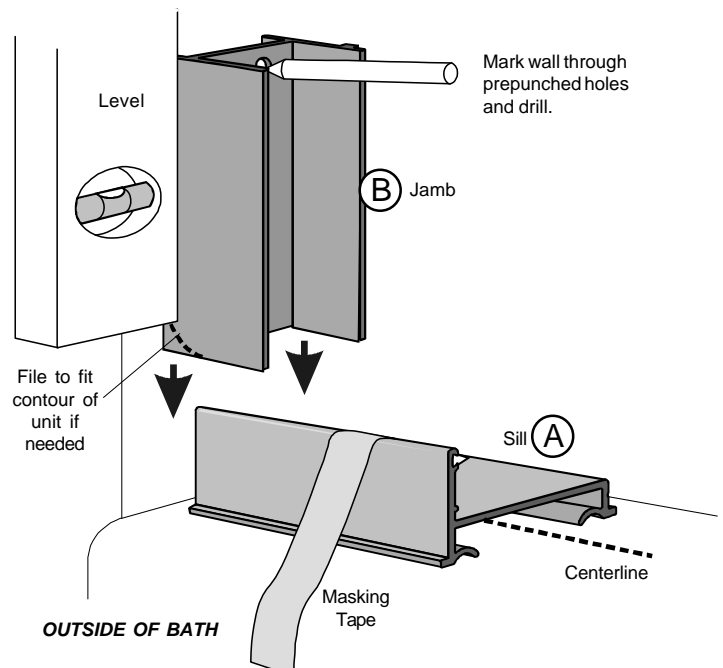
## 2 Jamb (B)

Position sill on centerline of tub with tall edge of sill toward outside of tub. Tape sill to tub with masking tape. This will help hold sill in place while positioning jambs.

Place one **jamb (B)** against wall with short legs toward wall and bottom resting firmly on sill. If necessary for a smooth fit, file back of jamb (short legs) to fit contour of your unit.

Align jamb vertically using a level and mark wall through prepunched holes. Repeat procedure for remaining jamb on opposite side.

When anchors (I) are used holes should be drilled using 3/16" drill bit. (Use masonry bit for tile.)

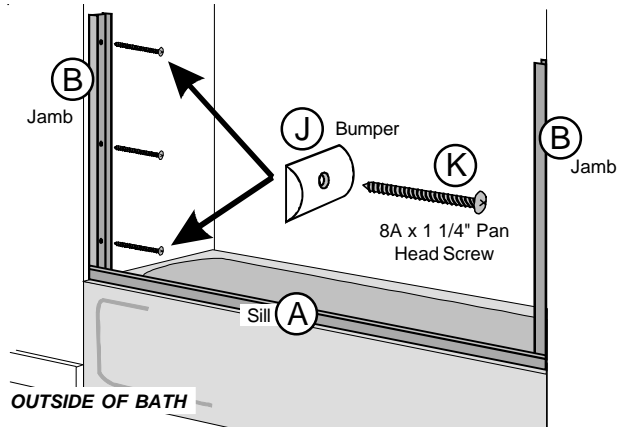


3

Jamb (B)

Remove jambs from tub and drill where marked using 1/8" drill bit.

Reposition jambs on tub and mount to wall using **8A x 1 1/4" pan head screws (K)**. Mount **bumpers (J)** horizontally in top and bottom holes.



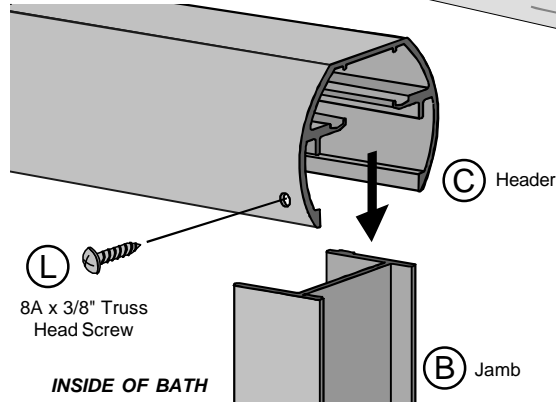
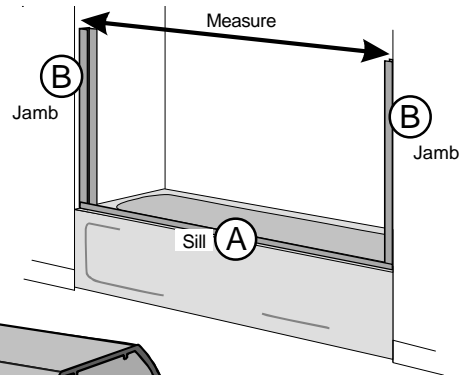
4

Header (C)

Measure from wall to wall (over the top of both jambs) and cut **header (C)** to that measurement.

Lower header over jambs until seated squarely on legs of both jambs.

Secure header to jambs by drilling a 1/8" hole through header into jambs on inside of bath near walls. Attach header to jambs using **8A x 3/8" truss head screws (L)**.



5

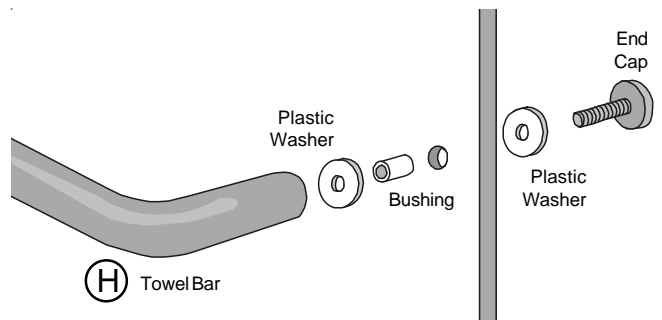
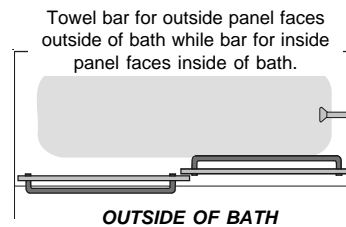
Towel Bars (H)

**Towel bars** from **towel bar kit (H)** are to be mounted onto door panel through predrilled holes in glass.

*Towel bar for outside panel faces outside of bath while bar for inside panel faces inside of bath.*

Towel bar kit comes with parts assembled in the order they will be installed on glass. Disassemble parts. Press bushings into holes in glass. Trim as needed so that bushings are flush with surface of the glass.

Reassemble towel bar, plastic washers, and end cap on door panel as shown. Allen wrench may be used to aid in tightening by inserting into hole of end cap and turning. Repeat for remaining door panel.



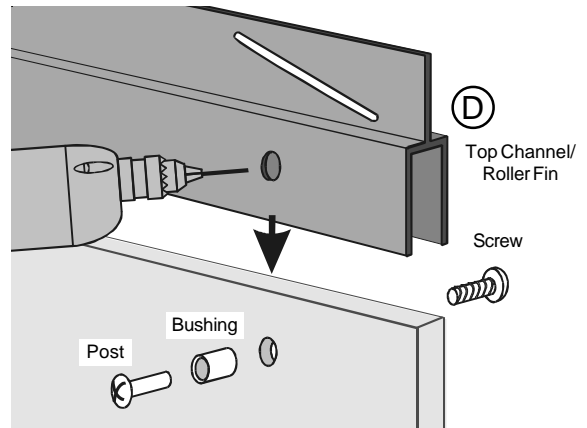
6

### Top Channel (D)

If top channel/roller fin is pre-installed on your unit, proceed to Step 7.

Using glass as a template, hold **top channel/roller fin (D)** behind glass, aligning top of glass with top of inside surface of channel. Mark top channel through holes in glass and drill using 1/8" drill bit.

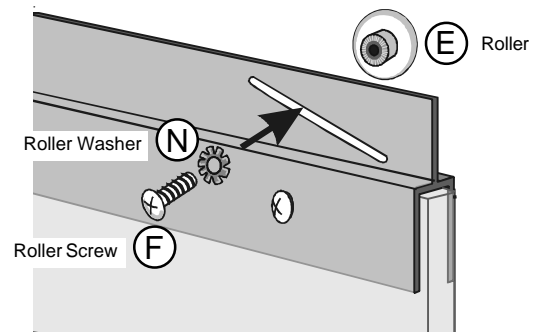
Insert vinyl bushing into hole in glass. Position top channel/roller fin over glass and secure using post and screw provided.



7

### Rollers (E)

Mount **rollers (E)** to top channel of doors using **roller washers (N)** and **roller screws (F)**. Rollers are to be mounted on same side of doors as towel bars and at the midpoint of slots.



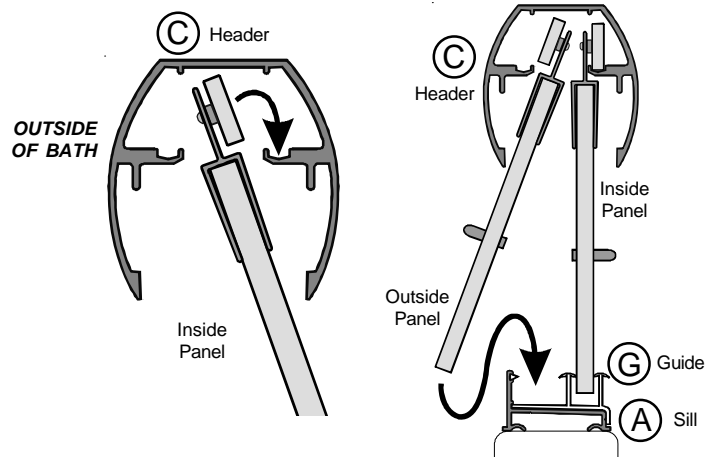
8

### Hanging Door Panel

Lift door panel into header with towel bar facing inside of bath. Seat rollers on roller track while guiding bottom of door into sill guide.

Repeat for remaining door, hanging panel with towel bar facing outside of bath.

Adjust rollers up or down as needed in roller fin slots to compensate for out-of-plumb conditions, allowing panels to hang straight.



9

### Caulking

Seal unit by caulking along outside of enclosure where metal and bath meet, especially where sill and tub meet. If desired, caulk inside of enclosure where jambs meet walls.

