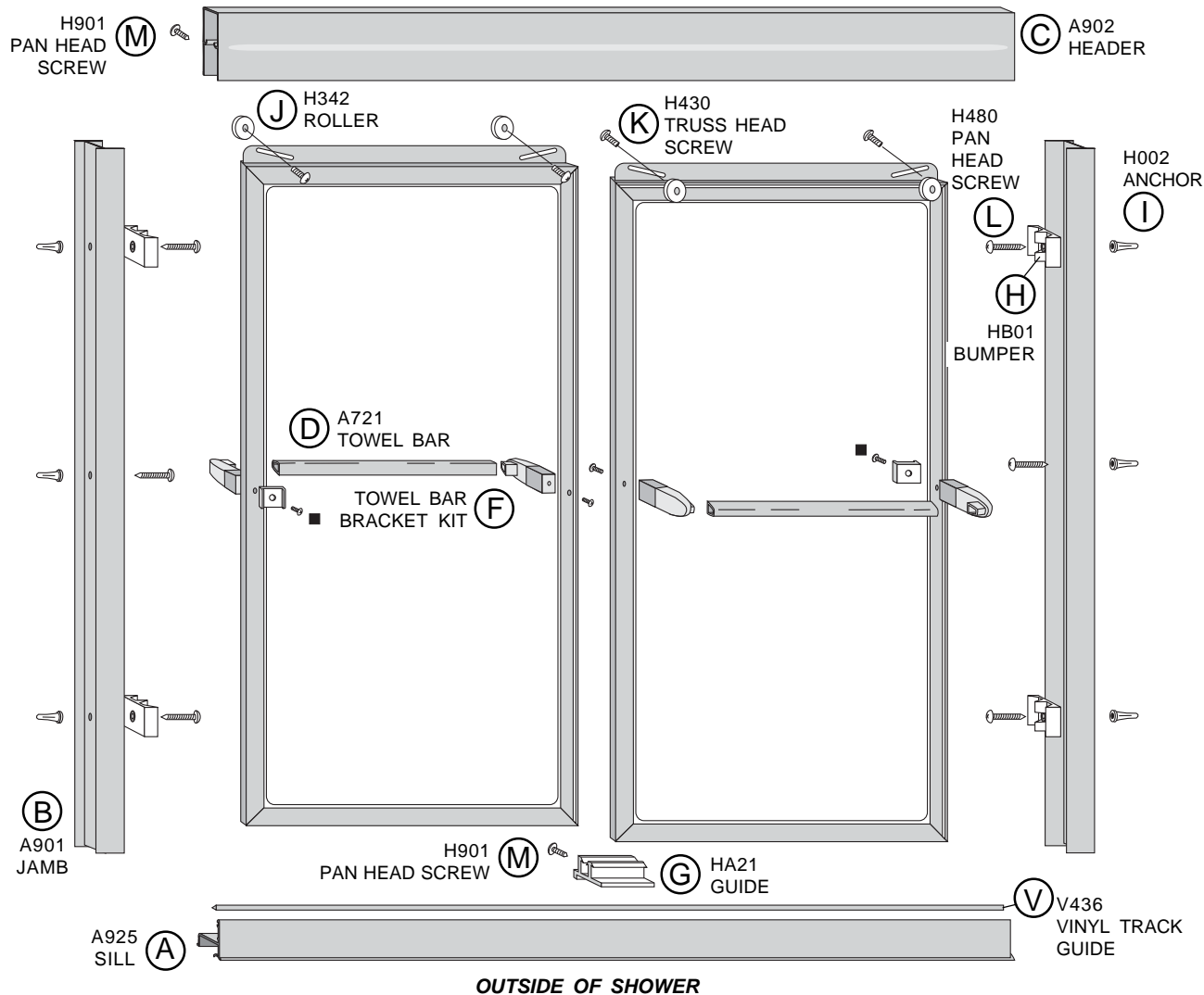


2SR1-G

Steam Bypass Enclosure



FRAME PACKAGE

KEY	DESCRIPTION	PART	QTY
A	SILL	A925	1
B	JAMB	A901	2
C	HEADER	A902	1
D	TOWEL BAR	A721	2
V	VINYL TRACK GUIDE	V436	1

HARDWARE BAG PARTS

F	TOWEL BAR BRACKET KIT	HBBB	1
	TOWEL BAR BRACKET SLEEVE	HASL	4
	TOWEL BAR BRACKET	HBCL	4
	PULL / STOP	HA12	2
	PULL / STOP LABEL	H904	2
	8A X 1 1/4 FLAT HEAD SCREW	H810	2
	8A X 1 PAN HEAD SCREW	H479	2
G	GUIDE	HA21	1
H	BUMPER	HB01	4
I	ANCHOR	H002	6
J	ROLLER	H342	4
K	8-32 X 3/8 TRUSS HEAD SCREW	H430	4
L	8A X 1 1/4 PAN HEAD SCREW	H480	6
M	8A X 3/8 PAN HEAD SELF-DRILLING SCREW	H901	3

TOOLS NEEDED

- 1/8" Drill Bit
- 3/16" Drill Bit
- (3/16" Masonry Bit for Ceramic Tile)
- Scratch Awl
- Measuring Tape
- Hacksaw
- Phillips Screw Driver
- Caulking Compound
- File
- Drill
- Level
- Masking Tape

Before starting installation of your new enclosure, carefully read all instructions and lay out parts to become familiar with their identity.

USE OF ANCHORS

Anchors are furnished with every enclosure. However, the use of anchors is not recommended when attaching your enclosure to a fiberglass unit or wall surrounds with board reinforced mounting areas. Mounting holes in this case should be drilled with an 1/8" drill bit.

Mounting of this unit on tile requires the use of anchors. Special care must be taken not to crack the tile. Before drilling holes in the tile, lightly chip glazed surface of tile at the desired locations. Drill holes using a 3/16" masonry drill bit. Insert anchors into the holes making certain that ring on large end of anchor meets the surface of the tile.

CLEANING

Cleaning and care of your enclosure is important to its lasting beauty. We suggest using a nonabrasive liquid cleaner. *Never use scouring powder or pads.*

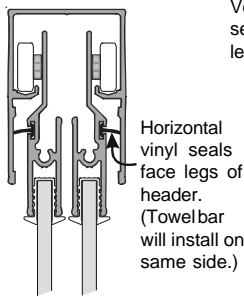
SEALING

The use of a caulking compound can assure a water-tight seal when applied along outside edge of the enclosure where metal and bath meet. If desired, caulk inside of enclosure where jambs meet walls.

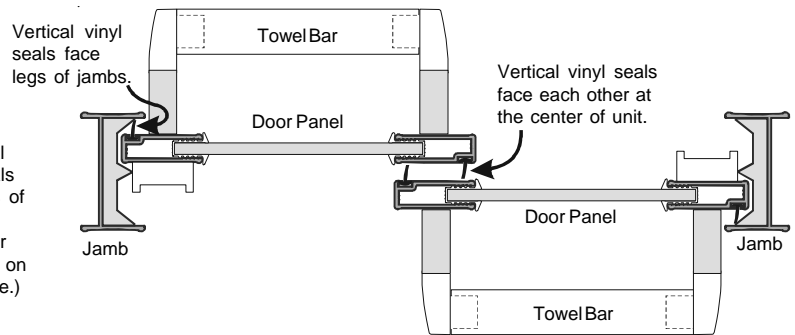
Do not try to cut the mirrors or glass used in this enclosure. Tempered glass and mirrors will disintegrate if cut.

CROSS SECTIONS

Your unit has vertical and horizontal vinyl seals pre-installed in the door panels. Door panels should be installed with the horizontal vinyl seals in the top channels facing the outside (roller track side) of header.



VERTICAL CROSS-SECTION

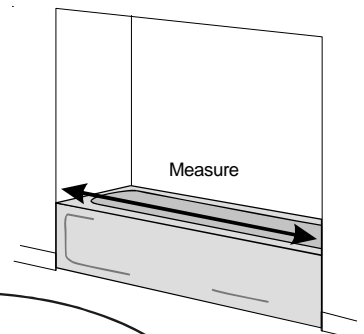


HORIZONTAL CROSS-SECTION

1

Sill (A) / Guides (V, G)

Due to the manufacturing process, there may be rack marks present at one end of your sill and header. Sill and header must be trimmed to fit your individual opening. When cutting sill and header, make certain to trim off end with rack marks.

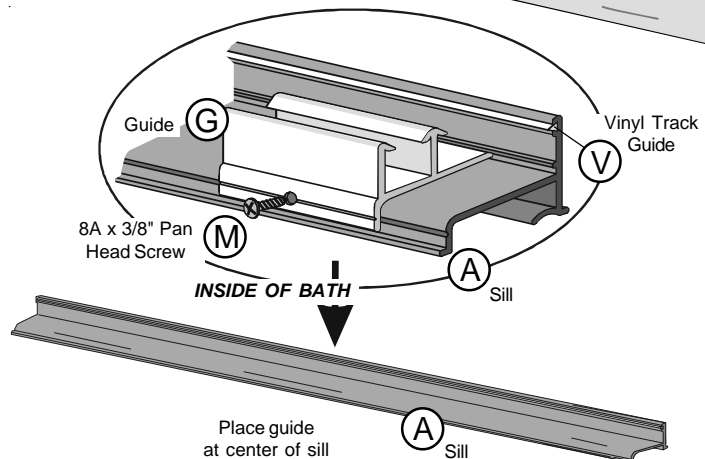


Measure wall to wall at tub level and cut **sill (A)** to that measurement.

Slide **vinyl track guide (V)** into small groove on upright of sill. Trim ends flush with ends of sill.

Locate center of sill. Position **guide (G)** at center of sill with curved leg fitting over curve of sill, and back of guide fitting under small lip on back upright of sill.

Position 1/8" drill bit in small groove on curved leg of guide. Drill through guide into sill and secure guide to sill with **8A x 3/8" pan head screw (M)**.



2

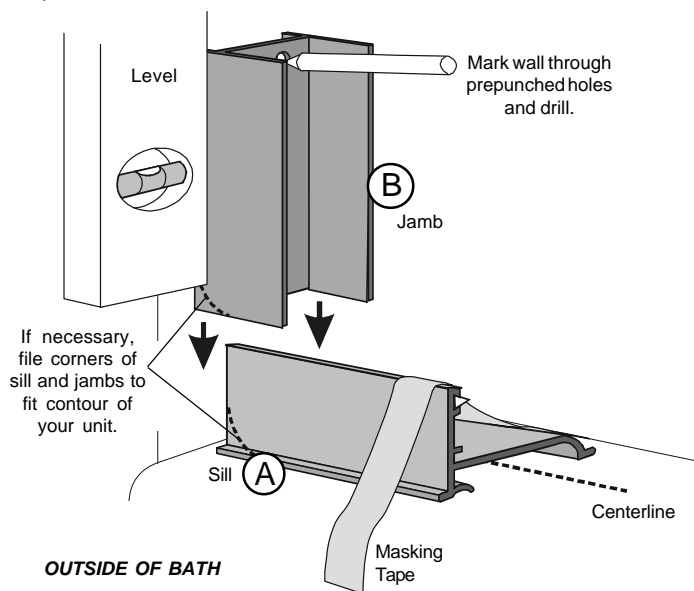
Jambs (B)

When anchors (I) are used holes should be drilled using 3/16" drill bit. (Use masonry bit for tile.)

Position sill on centerline of tub with tall edge of sill toward outside of tub. If necessary for a smooth fit, file corners of sill and jambs to fit contour of your unit. Tape sill to tub with masking tape to help hold sill in place while positioning jambs.

Position one jamb (B) against wall with short legs toward wall and notched end of jamb resting on sill. Align jamb vertically using a level and mark wall through prepunched holes. Repeat procedure with remaining jamb.

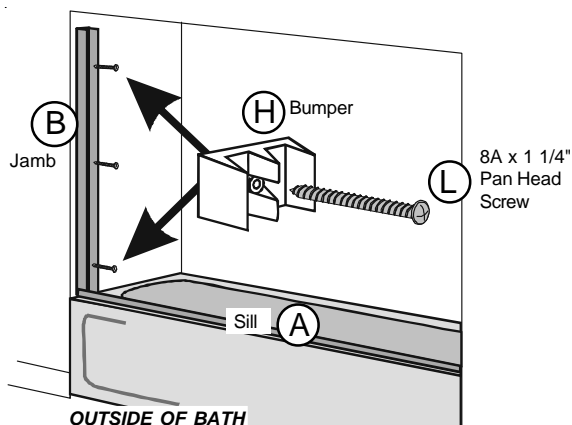
Remove jambs from tub and drill where marked using 1/8" drill bit.



3

Jamb (B) / Bumpers (H)

Reposition one jamb on tub and mount to wall using 8A x 1 1/4" pan head screws (L). Mount bumpers (H) in top and bottom holes.



4

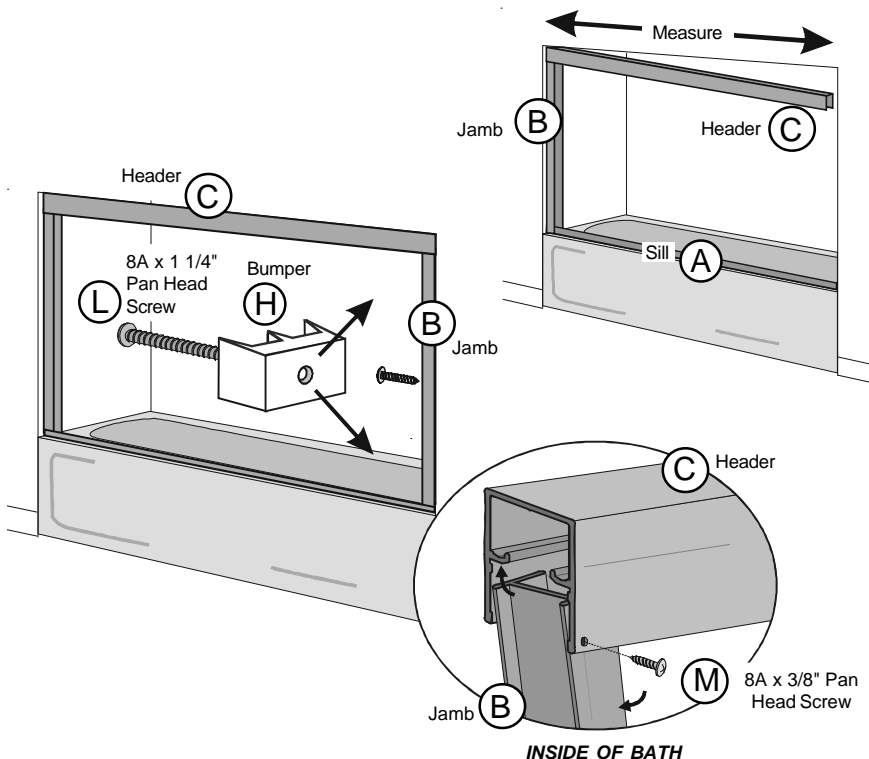
Header (C) / Jamb (B)

Measure from wall to wall over the top of jamb and cut header (C) to that measurement.

Position header over jamb with roller track of header resting on top of jamb. Tape header to top of opening with masking tape to hold in place while mounting remaining jamb.

Position remaining jamb on opposite wall with bottom resting on sill and top of jamb inside header. Mount to wall using 8A x 1 1/4" pan head screws with bumpers in top and bottom holes.

From inside of shower, secure header to jambs by drilling 1/8" hole through header into jambs. Secure using 8A x 3/8" pan head screws (M).



5

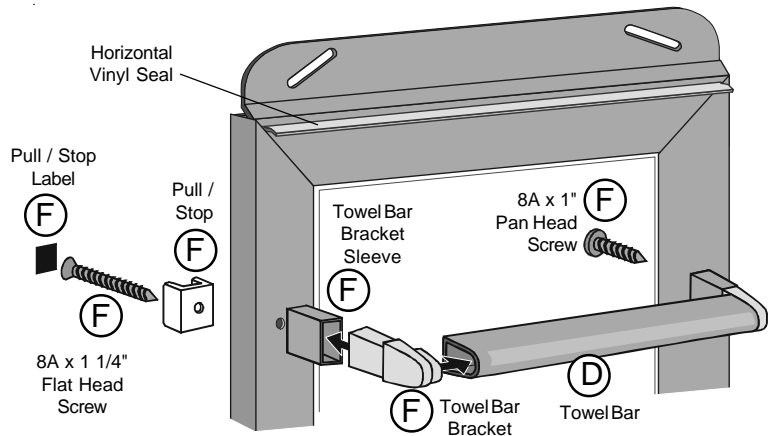
Towel Bar (D) / Bracket Kit (F)

Mount towel bars on same side of door panels as horizontal vinyl seals in top channels. Mount pull/stops on edge of panel closest to jambs.

Slide sleeves from towel bar bracket kit (F) onto towel bar brackets. Insert towel bar brackets into each end of towel bar (D).

Mount towel bar and pull/stop (F) to door panel using 8A x 1 1/4" flat head screw (F). Place pull/stop label in recessed area of pull/stop, covering screw head. On opposite end of towel bar, mount bracket to door panel using 8A x 1" pan head screw.

Repeat for remaining panel.

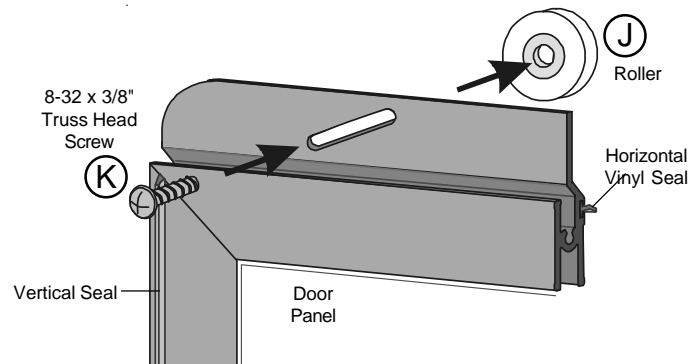


6

Rollers (J)

Rollers are to be installed on the same side of door panels as horizontal vinyl seals and towel bars.

Mount rollers (J) to top channel of doors at the midpoint of slots using 8-32 x 3/8" truss head screws (K). Rollers may be positioned up or down in slots to adjust for out of plumb situations.

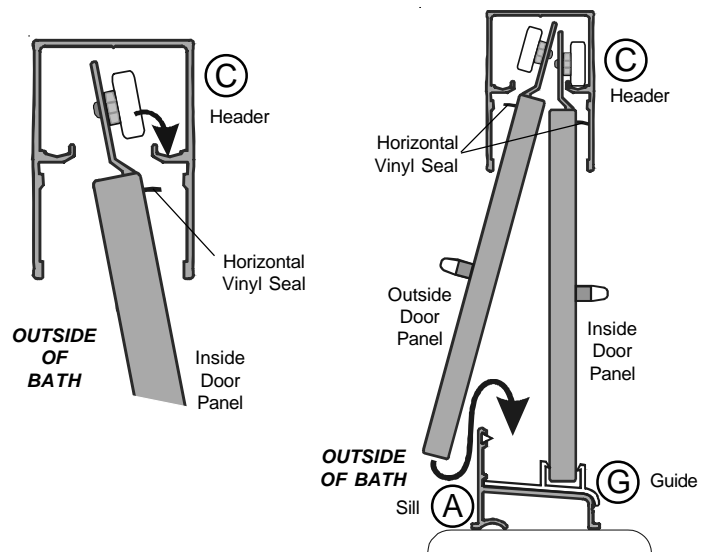


7

Hanging Door Panels

Lift inside door panel into header with towel bar facing inside of bath. Seat rollers on roller track while guiding bottom of door into sill guide.

Repeat for outside door, hanging panel with towel bar facing outside of bath.



8

Caulking

Seal unit by caulking along outside of enclosure where metal and bath meet, especially where sill and tub meet. If desired, caulk inside of enclosure where jambs meet walls.

