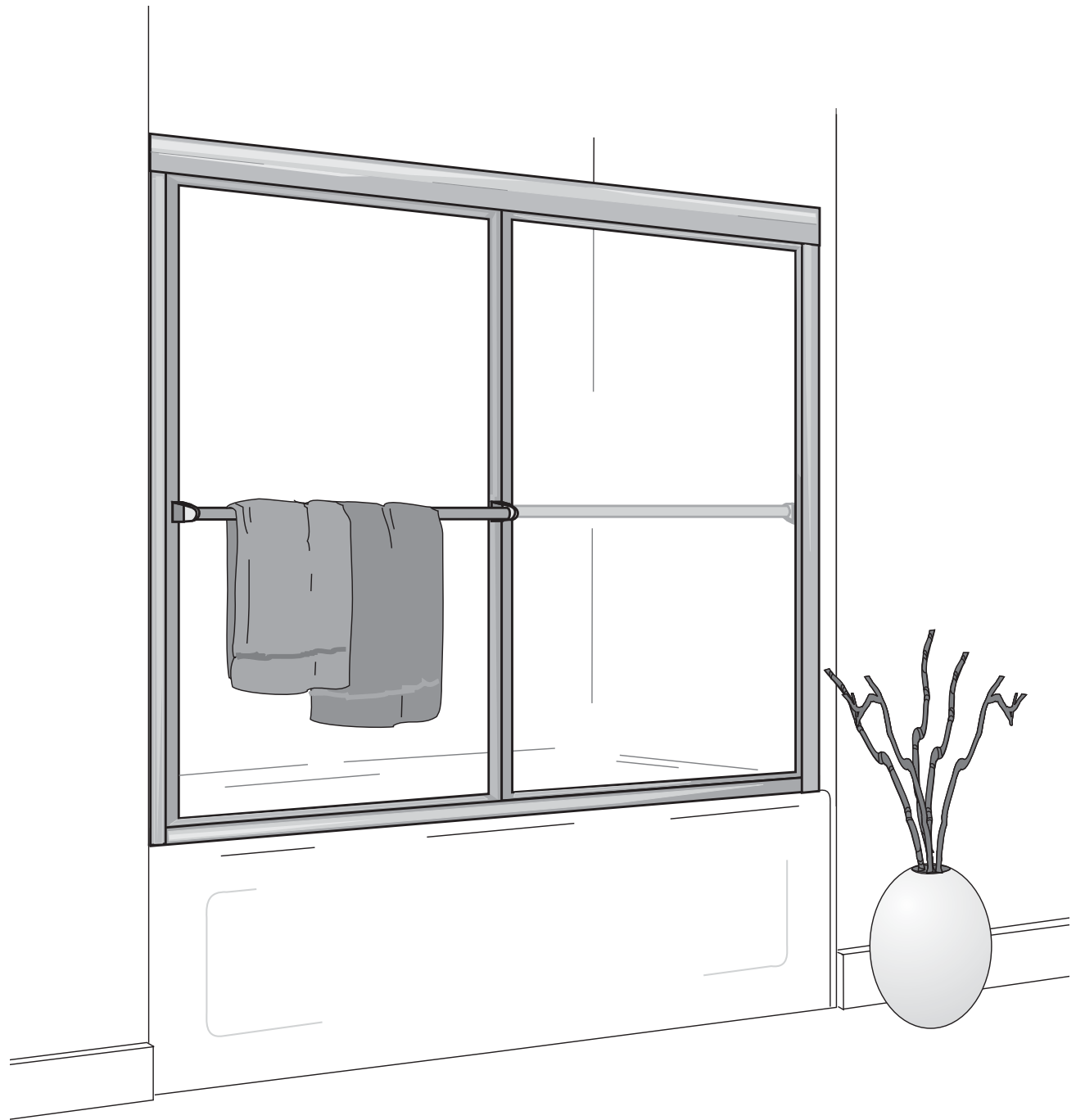


2SR1-P

Steam Bypass Enclosure



For Technical Assistance, call 1-877-723-7190 (toll free)

PARTS LIST

FRAME PACKAGE

KEY	DESCRIPTION	PART	QTY
A	SILL	A925	1
B	JAMB	A901 / A531	2
C	HEADER	A902	1
D	TOWEL BAR	A721	2
J	VINYL TRACK GUIDE	V436	1

HARDWARE BAG

E	TOWEL BAR BRACKET KIT	HBBB	
	TOWEL BAR BRACKET	HBCL	4
	TOWEL BAR BRACKET SLEEVE	HASL	4
	PULL/STOP	HA12	2
	8A X 1 1/4 FLAT HEAD SCREW	H810	2
	8A X 1 PAN HEAD SCREW	H479	2
	PULL/STOP LABEL	H904	2
F	ROLLER	H342	4
O	8-32 X 3/8 TRUSS HEAD SCREW	H430	4
G	DOOR GUIDE	HA21	1
H	BUMPER	HB01	4
I	8A X 1 1/4 PAN HEAD SCREW	H480	6
	8A X 2 1/4 PAN HEAD SCREW	H903	6
M	ANCHOR	H002	6
N	8A X 3/8 PAN HEAD SELF DRILLING SCREW	H901	3

TOOLS NEEDED

1/8" Drill Bit
 3/16" Drill Bit
 (3/16" Masonry Bit for
 Ceramic Tile)
 Pencil
 Measuring Tape
 Hacksaw
 Phillips Screw Driver
 Silicone Caulk
 File
 Drill
 Level
 Masking Tape

Before starting installation of your new enclosure, carefully read all instructions and lay out parts to become familiar with their identity.

USE OF ANCHORS

Anchors are furnished with every enclosure. However, the use of anchors is not recommended when attaching your enclosure to a fiberglass unit or wall surrounds with board reinforced mounting areas. Mounting holes in this case should be drilled with an 1/8" drill bit.

Mounting of this unit on tile requires the use of anchors. Special care must be taken not to crack the tile. Before drilling holes in the tile, lightly chip glazed surface of tile at the desired locations. Drill holes using a 3/16" masonry drill bit. Insert anchors into the holes making certain that ring on large end of anchor meets the surface of the tile.

CLEANING

Cleaning and care of your enclosure is important to its lasting beauty. We suggest using a nonabrasive liquid cleaner.
Never use scouring powder or pads.

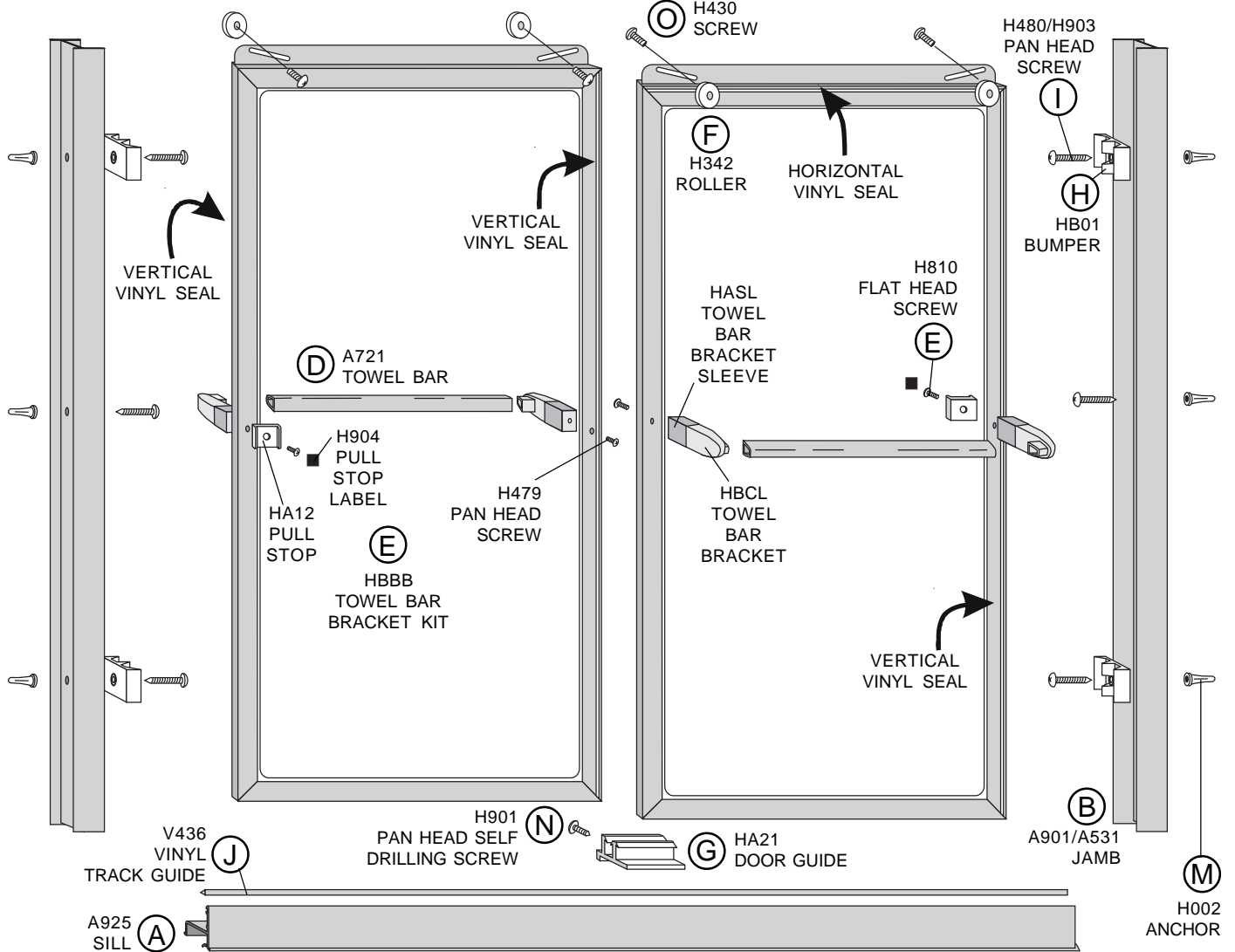
SEALING

The use of a caulking compound can assure a water-tight seal when applied along outside edge of the enclosure where metal and bath meet. If desired, caulk inside of enclosure where jambs meet walls.

**Do not try to cut the mirrors or glass used in this enclosure.
 Tempered glass and mirrors will disintegrate if cut.**

(C) A902
HEADER

(N) H901
PAN HEAD SELF
DRILLING SCREW



OUTSIDE OF SHOWER

(I)



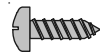
8A x 1 1/4 Pan Head Screw
(H480 - Used for A901 Jamb)

OR



8A x 2 1/4 Pan Head Screw
(H903 - Used for A531 Jamb)

(N)



8A x 3/8 Pan Head Self Drilling Screw
(H901 - Used for Header and Guide)

(O)



8-32 x 3/8 Truss Head Screw
(H430 - Used for Rollers)

(E)



8A x 1 Pan Head Screw
(H479 - Used for Towel Bar Brackets)

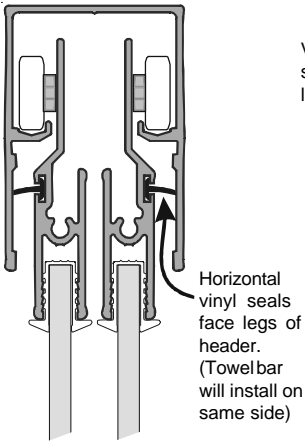
(E)



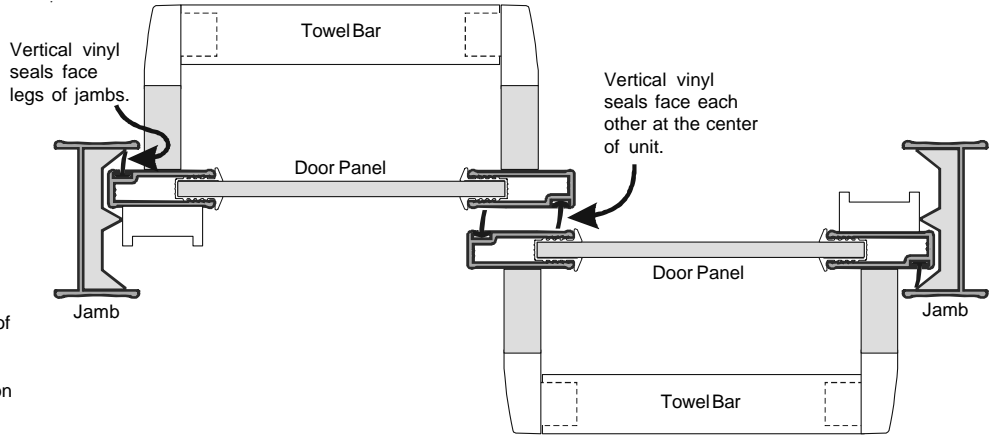
8A x 1 1/4 Flat Head Screw
(H810 - Used for Towel Bar Brackets and Pull Handles)

CROSSECTIONS

Your unit has vertical and horizontal vinyl seals pre-installed in the door panels. Door panels are to be hung with the horizontal vinyl seals in the top channels facing the outside (roller track side) of header.



VERTICAL CROSS-SECTION



HORIZONTAL CROSS-SECTION

1

Identify Jambs (B)

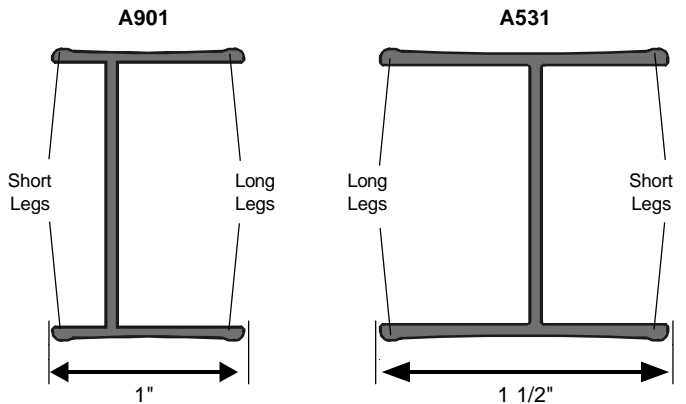
BEFORE CUTTING SILL

Identification of your jambs is a critical step. The cut length of your sill varies depending on the jambs included in your enclosure.

Locate your **jambs** (B) and compare to the illustrations.

A901 has an overall width of 1", with short and long legs on opposite sides.

A531 has an overall width of 1 1/2", with only a slight difference between length of legs from one side to the other.

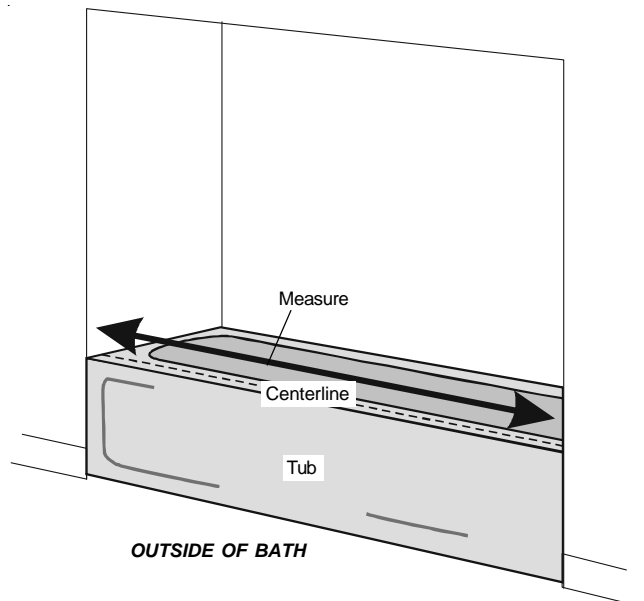


2

Centerline

Measure your threshold width and determine the centerline. Measure wall to wall at tub level on the centerline. Record the centerline measurement below.

Centerline Measurement

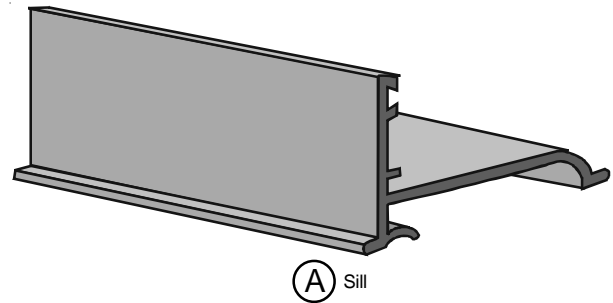


3**Sill (A)**

Due to the manufacturing process, there may be rack marks present at one end of your sill and header. Sill and header must be trimmed to fit your individual opening. When cutting sill and header, make certain to trim off end with rack marks.

Cut your **sill (A)** using the following guidelines:

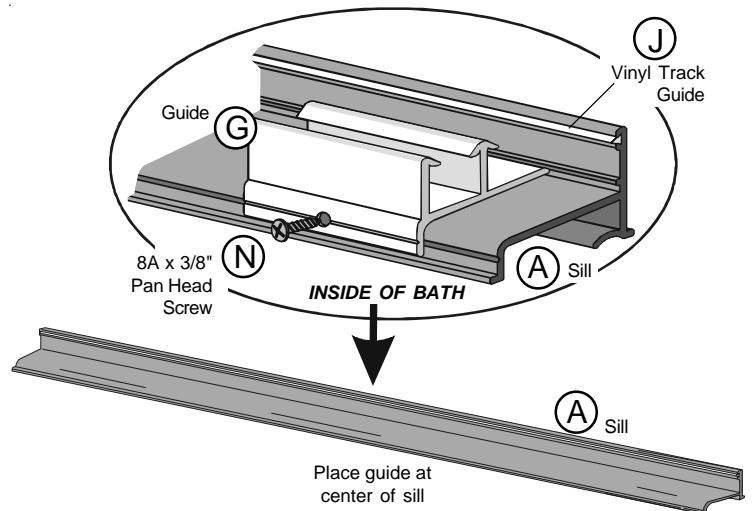
- a) Units with **A901 Jamb**s - cut sill **5/8"** less than Centerline Measurement recorded in Step 2.
- b) Units with **A531 Jamb**s - cut sill **1 3/4"** less than Centerline Measurement recorded in Step 2.

**4****Sill (A) / Guides (J), (G)**

Slide **vinyl track guide (J)** into small groove on upright of sill. Trim end flush with edge of sill.

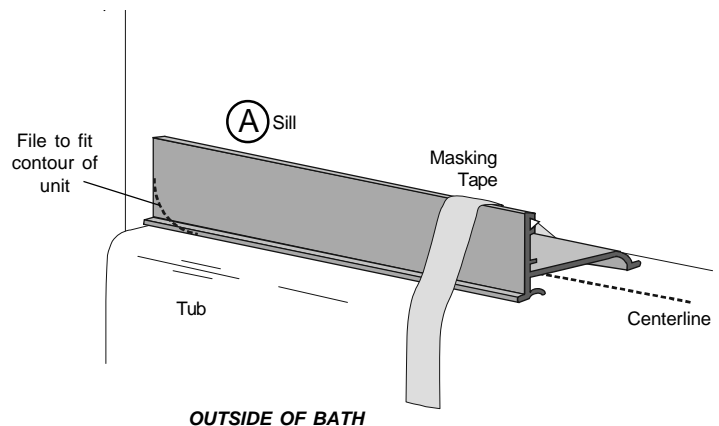
Locate center of sill. Position **guide (G)** at center of sill with curved leg fitting over curve of sill, and back of guide fitting under small lip on back upright of sill.

Drill through hole in guide using 1/8" drill bit. (*Chrome and gold units include a self-drilling screw which does not require a pilot hole.*) Secure guide to sill with **8A x 3/8" pan head screw (N)**.

**5****Sill (A)**

Position **sill** on centerline of tub with tall edge of sill toward outside of tub. If necessary for a smooth fit, file ends of sill to fit contour of unit.

Tape sill to tub with masking tape. This will help hold sill in place while positioning jamb.



6

Jambs (B)

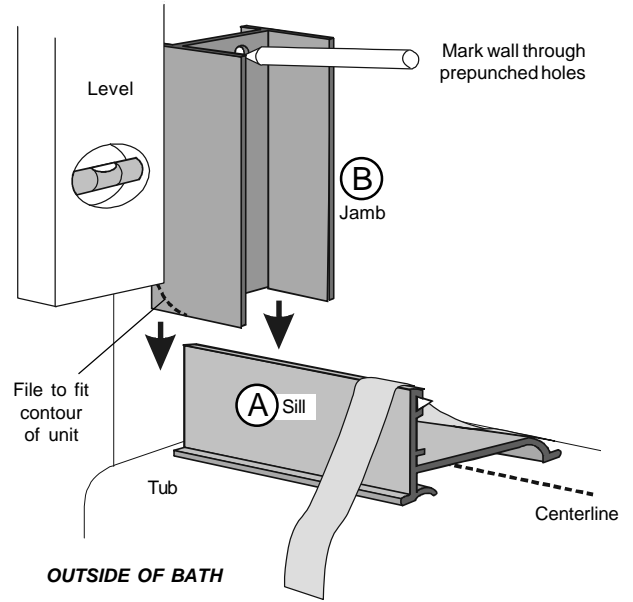
For 901 jambs, short legs should be against wall.
For 531 jambs, long legs should be against wall.

Place one **jamb** (B) against wall, with bottom of jamb resting on sill. If necessary for a smooth fit, file back edge of jamb to fit contour of your unit.

Align jamb vertically using a level and mark wall through prepunched holes. Remove jamb and repeat procedure for remaining jamb on opposite side.

Drill where marked using 1/8" drill bit.

When anchors (M) are used holes should be drilled using 3/16" drill bit. (Use masonry bit for tile.)

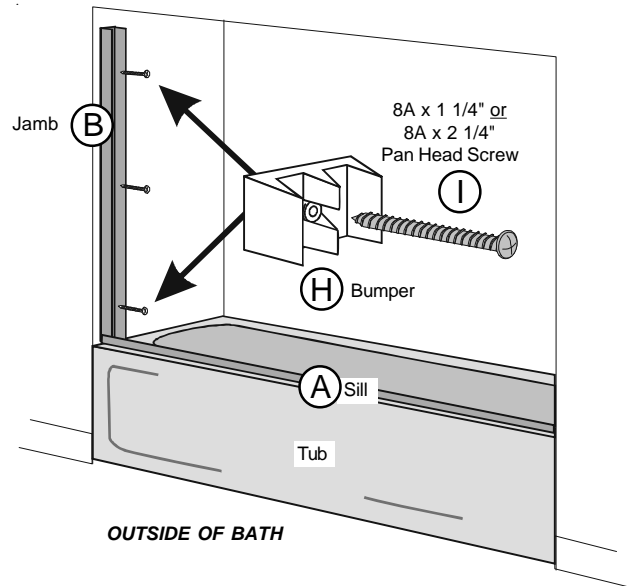


7

Jambs (B) / Bumpers (H)

Reposition one jamb on tub and mount to wall using pan head screws (I) - **8A x 1 1/4" pan head screws** for 901 jambs, **8A x 2 1/4" pan head screws** for 531 jambs.

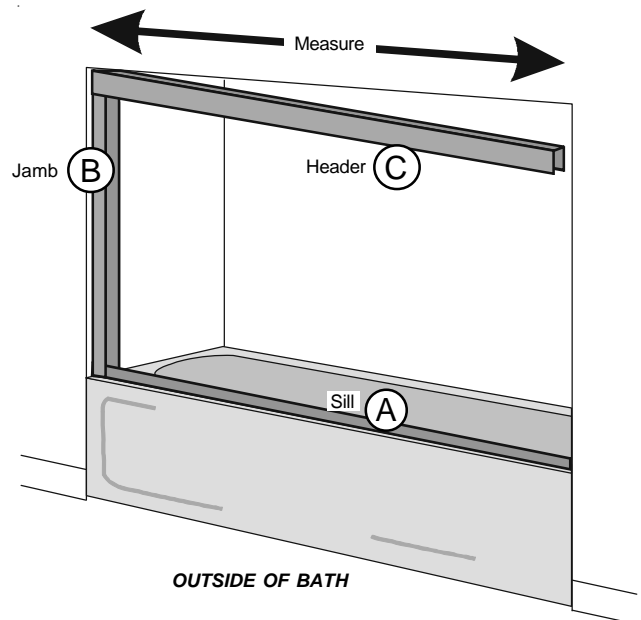
Mount **bumpers** (H) in top and bottom holes.



8

Header (C)

Measure from wall to wall over the top of jamb and cut **header** (C) to that measurement.



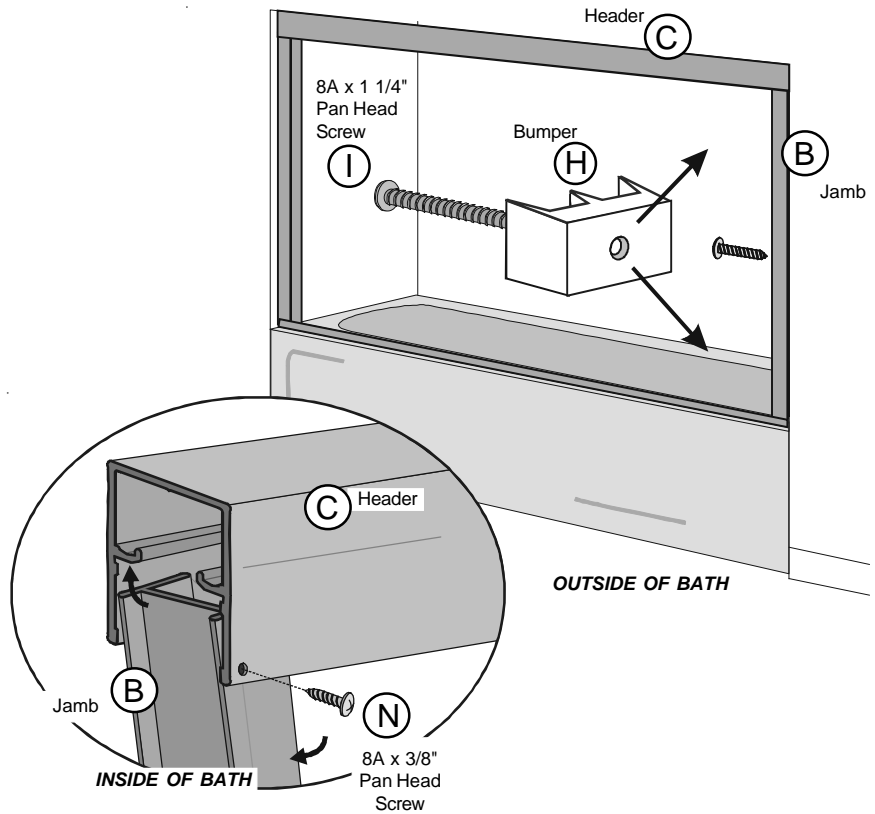
9

Header (C) / Jamb (B)

Position header over jamb with roller track of header resting on top of jamb. Tape header to top of opening with masking tape to hold in place while mounting remaining jamb.

Position remaining jamb on opposite wall with bottom resting on sill and top of jamb inside header. Mount to wall using 8A x 1 1/4" pan head screws (or 8A x 2 1/4" pan head screws for 531 jambs) with bumpers in top and bottom holes.

From inside of shower, secure header to jambs by drilling 1/8" hole through header into jambs. Secure using 8A x 3/8" pan head screws (N).



10

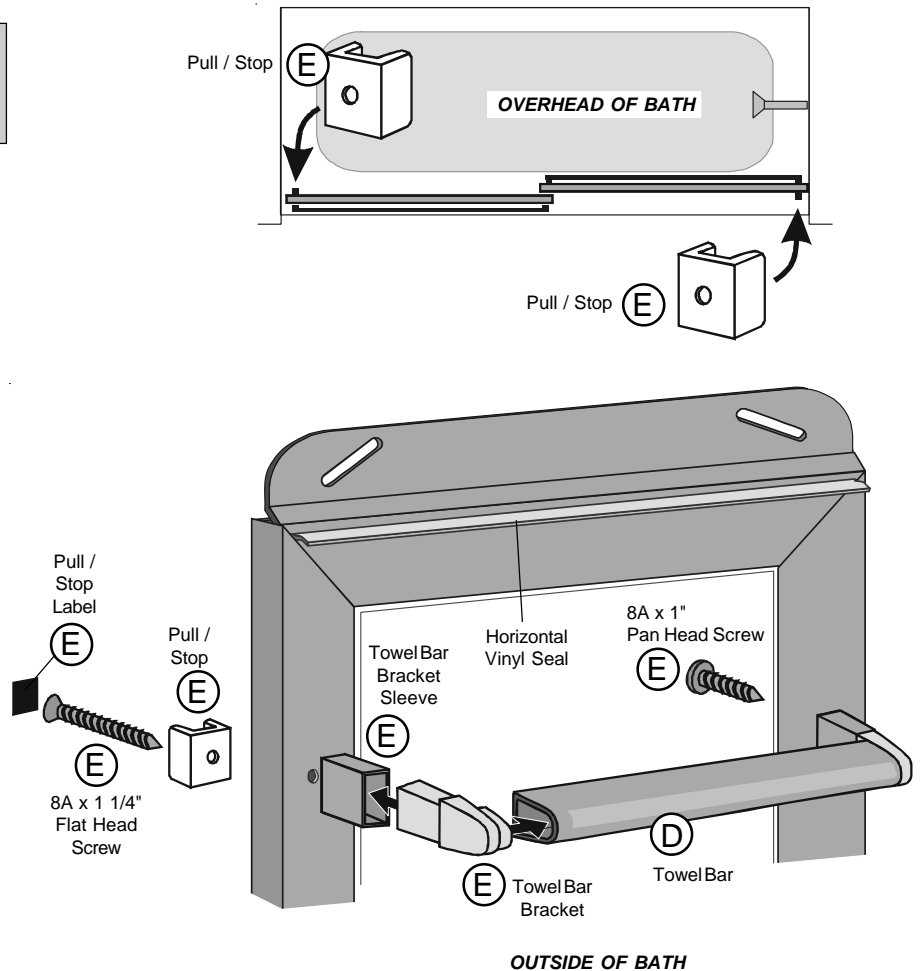
Towel Bar (D) / Bracket Kit (E)

Mount towel bars on same side of door panels as horizontal vinyl seals in top channels. Mount pull/stops on edge of panel closest to jambs.

Slide sleeves from towel bar bracket kit (E) onto towel bar brackets. Insert towel bar brackets into each end of towel bar (D).

Mount towel bar and pull/stop (E) to door panel using 8A x 1 1/4" flat head screw (E). Place pull/stop label in recessed area of pull/stop, covering screw head. On opposite end of towel bar, mount bracket to door panel using 8A x 1" pan head screw (E).

Repeat for remaining panel.

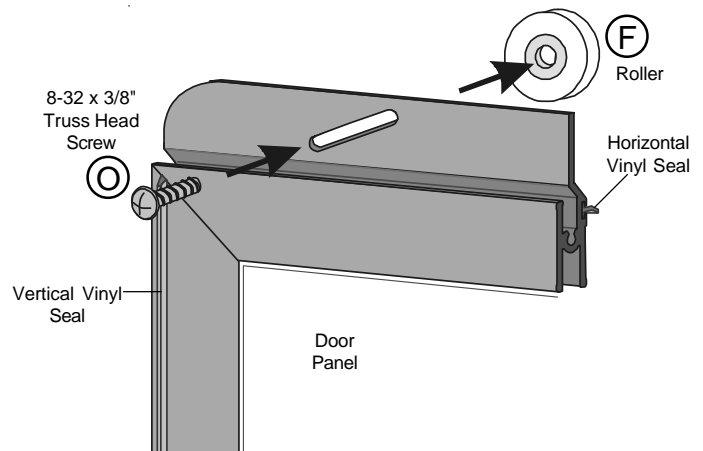


11

Rollers (F)

Rollers are to be installed on the same side of door panels as horizontal vinyl seals and towel bars.

Mount **rollers (F)** to top channel of doors at the midpoint of slots using **8-32 x 3/8" truss head screws (O)**. Rollers may be positioned up or down in slots to adjust for out of plumb situations.

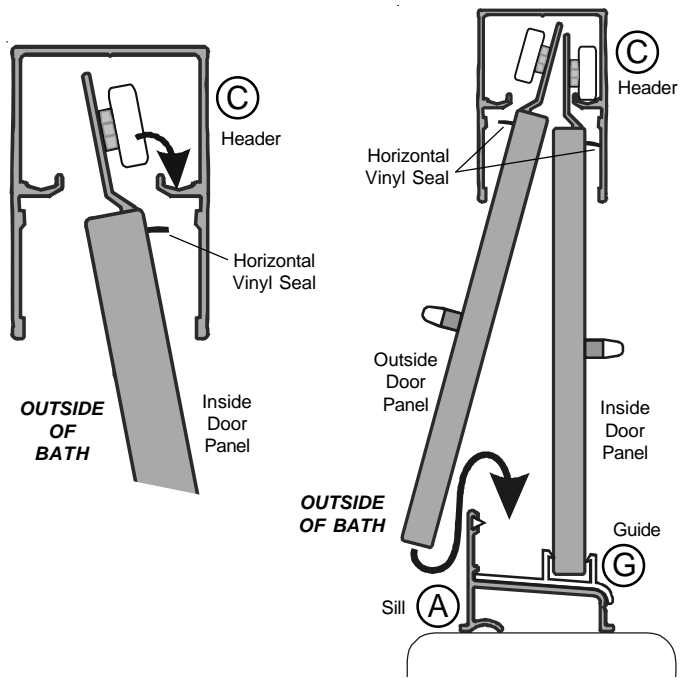


12

Hanging Door Panels

Lift inside door panel into header with towel bar facing inside of bath. Seat rollers on roller track while guiding bottom of door into sill guide.

Repeat for outside door, hanging panel with towel bar facing outside of bath.



13

Caulking

Seal unit by caulking along outside of enclosure where metal and bath meet, especially where sill and tub meet. If desired, caulk inside of enclosure where jambs meet walls.

