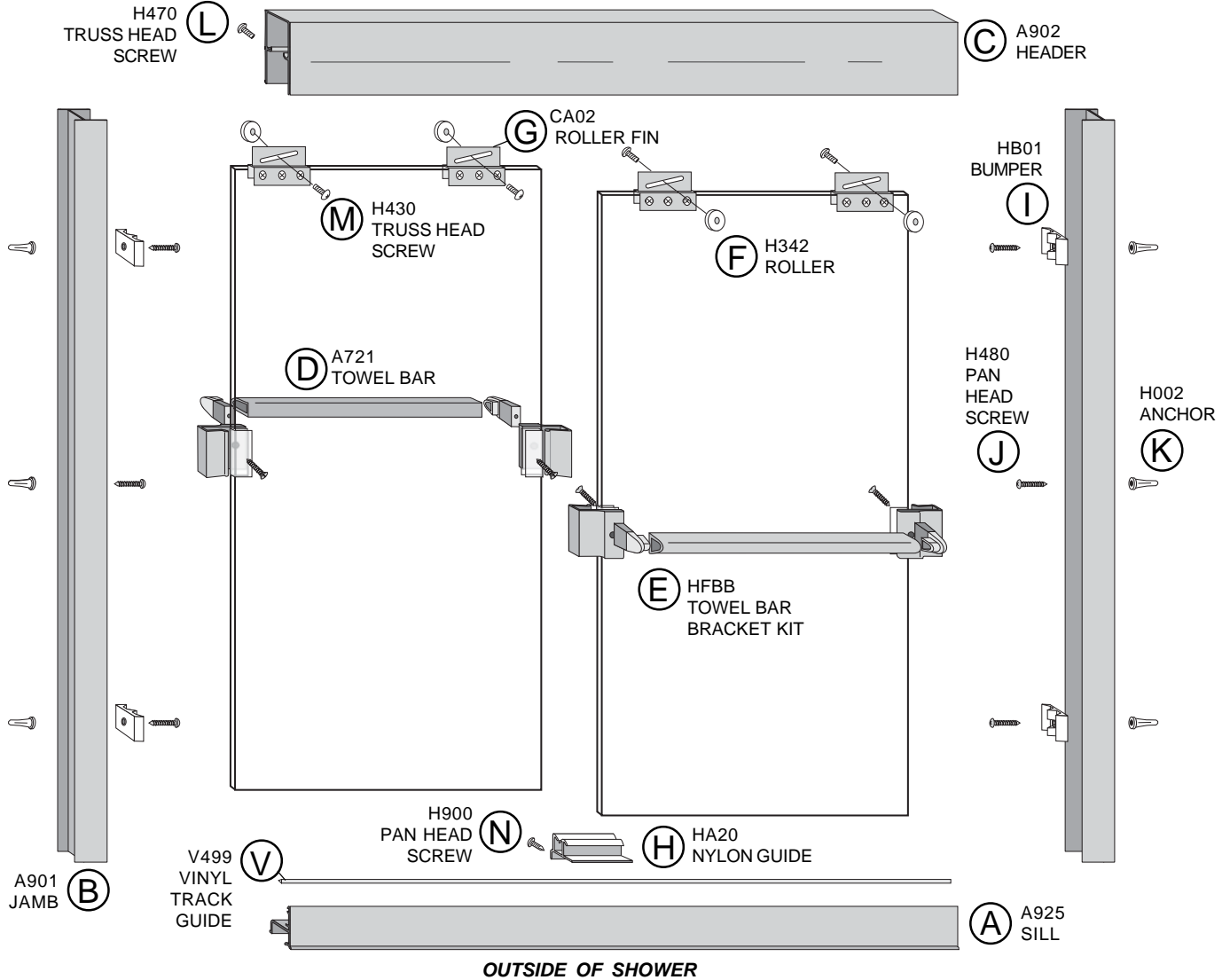


20R1-G

Frameless Bypass Enclosure



FRAMEPACKAGE PARTS

KEY	DESCRIPTION	PART	QTY
A	SILL	A925	1
B	JAMB	A901	2
C	HEADER	A902	1
D	TOWEL BAR	A721	2
V	VINYL TRACK GUIDE	V499	1

HARDWARE BAG PARTS

E	TOWEL BAR BRACKET KIT	HFBB	1
	8A X 1 FLAT HEAD SCREW	HA44	4
	TOWEL BAR BRACKET	HBCL	4
	TOWEL BAR BRACKET SLEEVE	HASL	4
	BRACKET VINYL	V428/V208	4
	TOWEL BAR DOOR BRACKET	HTBB	4
F	ROLLER	H342	4
M	8-32 X 3/8 TRUSS HEAD SCREW	H430	4
G	ROLLER FIN (I)	CA02	4
H	GUIDE	HA20	1
I	BUMPER	HB01	4
J	8A X 1 1/4 PAN HEAD SCREW	H480	6
K	ANCHOR	H002	6
L	8A X 3/8 TRUSS HEAD SCREW	H470	2
N	8A X 3/8 PAN HEAD SELF-DRILLING SCREW	H900	1

(I) Pre-Installed

TOOLS NEEDED

- 1/8" Drill Bit
- 3/16" Drill Bit
- (3/16" Masonry Bit for Ceramic Tile)
- Scratch Awl
- Measuring Tape
- Hacksaw
- Phillips Screw Driver
- Caulking Compound
- File
- Drill
- Level
- Masking Tape

Before starting installation of your new enclosure, carefully read all instructions and lay out parts to become familiar with their identity.

USE OF ANCHORS

Anchors are furnished with every enclosure. However, the use of anchors is not recommended when attaching your enclosure to a fiberglass unit or wall surround with board reinforced mounting areas. Mounting holes in this case should be drilled with an 1/8" drill bit.

Mounting of this unit on tile requires the use of anchors. Special care must be taken not to crack the tile. Before drilling holes in the tile, lightly chip glazed surface of tile at the desired locations. Drill holes using a 3/16" masonry drill bit. Insert anchors into the holes making certain that ring on large end of anchor meets the surface of the tile.

CLEANING

Cleaning and care of your enclosure is important to its lasting beauty. We suggest using a nonabrasive liquid cleaner. *Never use scouring powder or pads.*

SEALING

The use of a caulking compound can assure a water-tight seal when applied along outside edge of the enclosure where metal and bath meet. If desired, caulk inside of enclosure where jambs meet walls.

Do not try to cut the mirrors or glass used in this enclosure. Tempered glass and mirrors will disintegrate if cut.

1

Sill (A) / Guides (V, H)

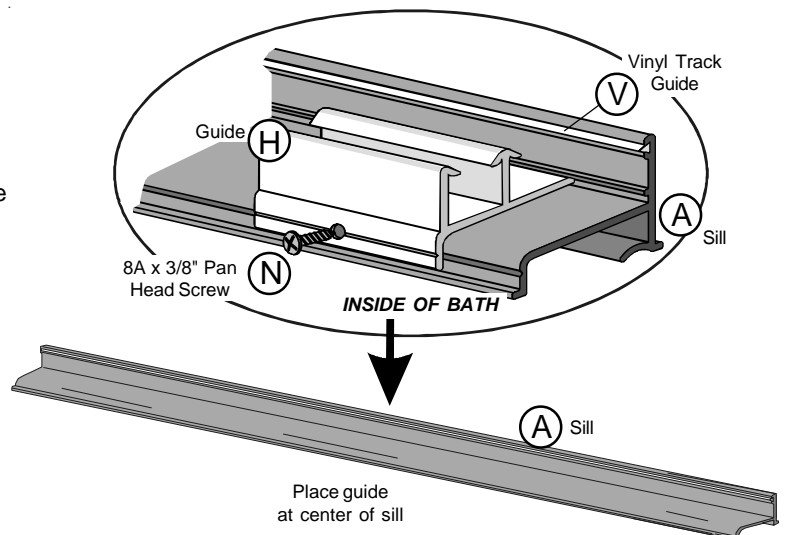
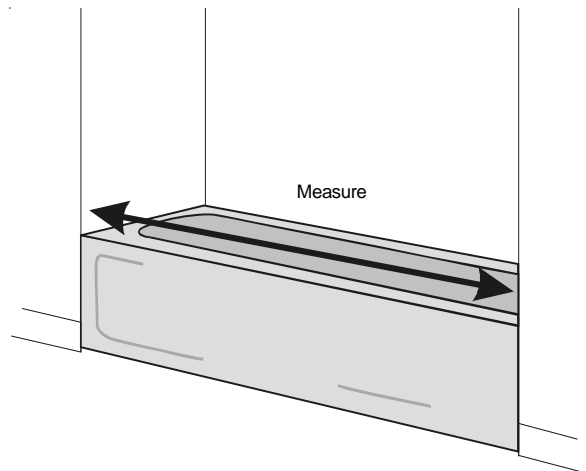
Due to the manufacturing process, there may be rack marks present at one end of your sill and header. Sill and header must be trimmed to fit your individual opening. When cutting sill and header, make certain to trim off end with rack marks.

Measure wall to wall at tub level, and cut your **sill (A)** to that measurement.

Slide **vinyl track guide (V)** into small groove on upright of sill. Trim end flush with edge of sill.

Locate center of sill. Position **guide (H)** at center of sill with curved leg fitting over curve of sill, and back of guide fitting under small lip on back upright of sill.

Position 1/8" drill bit in small groove on curved leg of guide and drill through guide into sill. Secure guide to sill with **8A x 3/8" pan head screw (N)**.



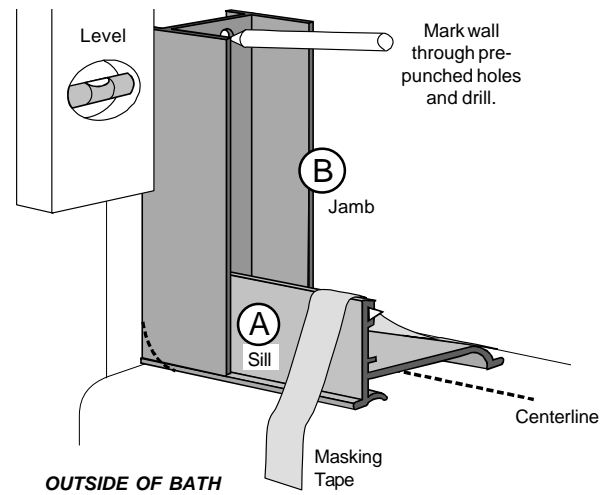
2

Jambs (B)

When anchors (K) are used holes should be drilled using 3/16" drill bit. (Use masonry bit for tile.)

Position sill on centerline of tub with tall edge toward outside of tub. If necessary for a smooth fit, file corners of sill to fit contour of your unit. Tape sill to tub with masking tape. This will help hold sill in place while positioning jambs.

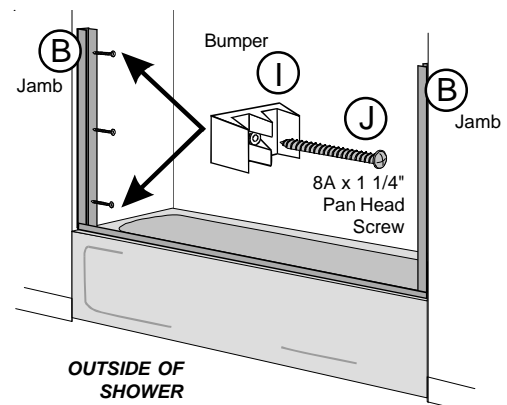
Jambs (B) are installed with notched shape firmly on sill. Align jamb vertically using a level and mark wall through prepunched holes. Repeat procedure with remaining jamb. Remove jambs from tub and drill where marked using 1/8" drill bit.



3

Bumpers (I)

Reposition jambs on tub and mount to wall using **8A x 1 1/4" pan head screws (J)**. Top and bottom holes are mounting positions for **bumpers (I)**.



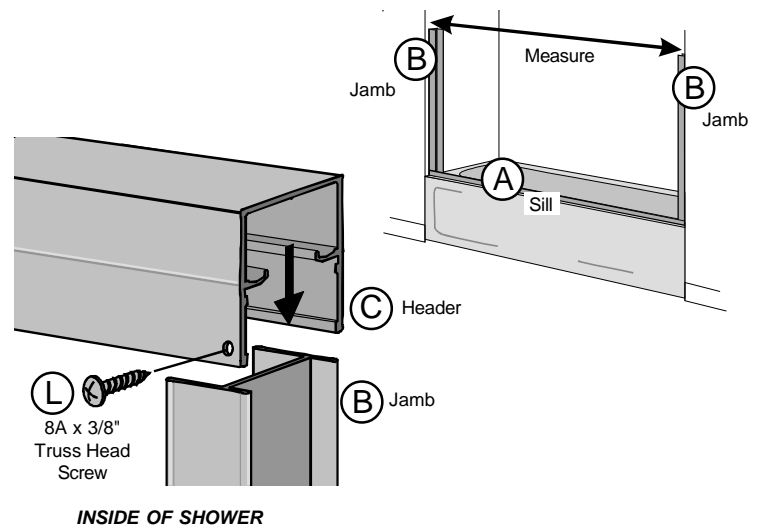
4

Header (C)

Measure from wall to wall (over the top of both jambs) and cut **header (C)** to that measurement.

Lower header over jambs until seated squarely on both jambs.

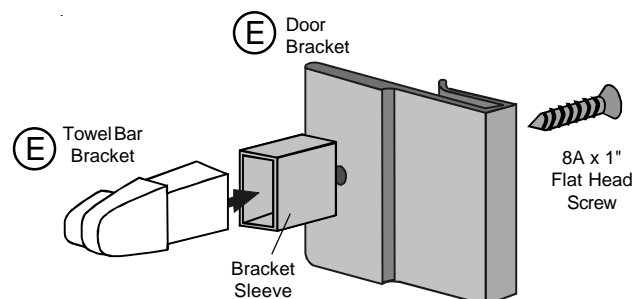
Attach header to jambs by drilling a 1/8" hole through header into jambs on inside of tub near walls. Use **8A x 3/8" truss head screws (L)** to secure header to jambs.



5

Towel Bar Bracket Kit (E)

Slide **bracket sleeves** from **towel bar bracket kit (E)** onto **towel bar brackets**. Mount towel bar brackets onto metal **door brackets** using **8A x 1" flat head screws**.



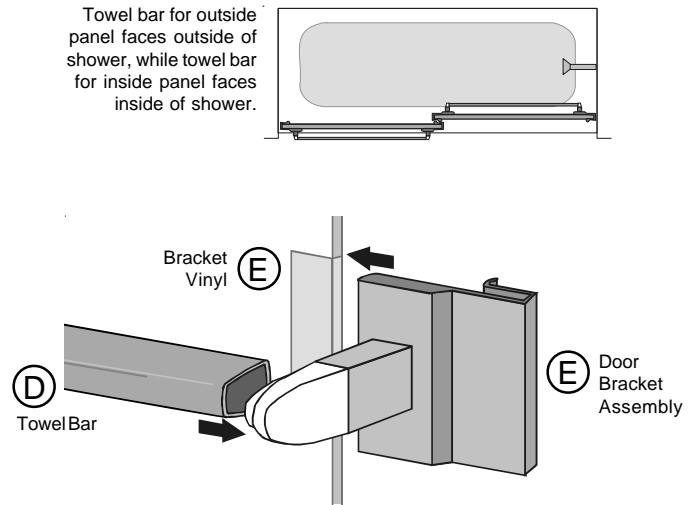
6

Towel Bar (D) / Towel Bar Bracket Kit (E)

Measure full height of glass and determine the midpoint. At midpoint, wrap one piece of **bracket vinyl** (E) around door glass, holding in position while slipping one door bracket assembly in place over vinyl. (*Two thicknesses of bracket vinyl may have been included with your unit. Use the vinyl that makes a snug fit between door bracket and glass.*)

Insert **towel bar** (D) onto end of towel bar bracket. Slip door bracket assembly in place for opposite end, inserting bracket into end of towel bar. Repeat for remaining panel.

Towel bar for outside panel faces outside of shower, while towel bar for inside panel faces inside of shower.

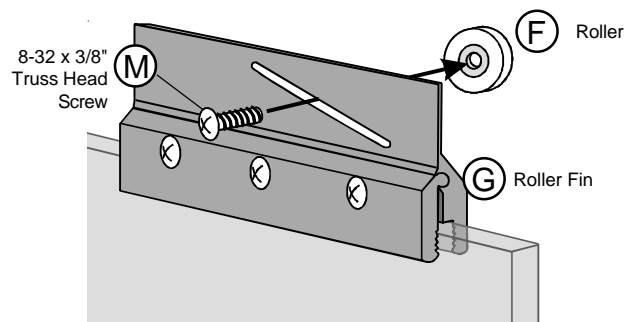


7

Rollers (F)

Mount **rollers** (F) to roller fins using **8-32 x 3/8" truss head screws** (M). Rollers are to be mounted on same side of doors as towel bars and at the midpoint of slots.

Rollers may be positioned up or down in slots to adjust for out of plumb situations.



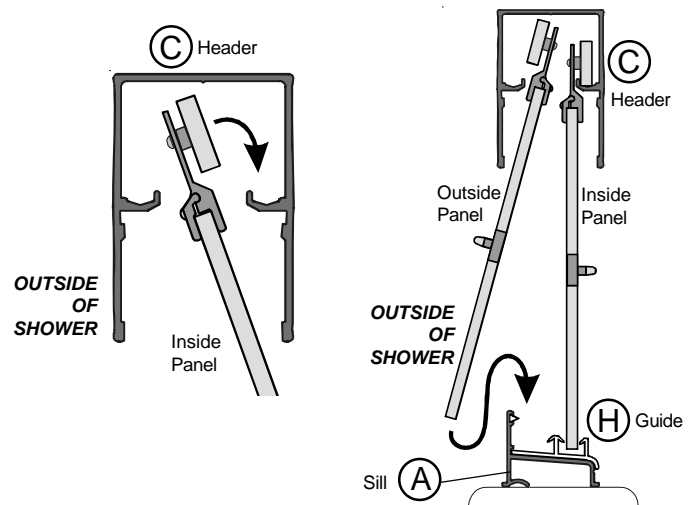
8

Hanging Door Panels

Lift door panel into header with towel bar facing inside of bath. Seat rollers on roller track while guiding bottom of door into sill guide.

Repeat for remaining door, hanging panel with towel bar facing outside of bath.

Adjust rollers up or down as needed in roller fin slots to compensate for out-of-plumb conditions, allowing panels to hang straight.



9

Caulking

The use of a caulking compound will assure a water-tight seal. Seal unit by applying caulk along outside edge of enclosure where metal and bath meet, especially where sill meets tub.

If desired, caulk inside of enclosure where jambs meet walls.

