

**713C-GP**

**Pivot Door**



**Technical Assistance is available Monday - Friday, 8:00 a.m. - 5:00 p.m. (Central Time)**  
**1-877-723-7190 (Toll Free)**

# PARTS LIST

## FRAME PACKAGE

KEY	DESCRIPTION	PART	QTY	
A	SILL		A195	1
B	PIVOT JAMB		A196	1
C	STRIKE JAMB		A194	1
D	VINYL DRIP RAIL		V667	1
E	DRIP RAIL TAPE	(I)	HT52	1
H	MAGNETIC STRIP		H172	1
J	PIVOT DOOR SLIDE BLOCK	(I)	HPT3	2
W	PIVOT VINYL	(I)	V517	1
G	ALUMINUM PIVOT PLATE	(I)	HAPP	2
S	8A X 1 1/4 FLAT HEAD SCREW	(I)	H810	6
K	PIVOT PIN	(I)	HPHD	2

## HARDWARE BAG

I	DRIP RAIL PLUG		HA28	1
L	PIVOT BUSHING		HBPB	2
M	8-32 X 1/2 HEX HEAD SCREW		HP05	2
P	ANCHORS		H002	8
Q	8A X 1 1/4 FLAT HEAD SCREW		H810	2
F	8A X 2 FLAT HEAD SCREW		H462	6
O**	PULL HANDLE KIT	**	HSAD	1
	6-32 X 1 1/4 PAN HEAD SCREW		H485	2
	EXTERIOR PULL HANDLE		HA31	1
	INTERIOR PULL HANDLE		HA32	1

(I) Pre-Installed    \*\* May Be Preinstalled

## TOOLS NEEDED

1/8" Drill Bit  
 3/16" Drill Bit  
 (3/16" Masonry Bit for  
 Ceramic Tile)  
 Pencil  
 Measuring Tape  
 Hacksaw  
 Phillips Screw Driver  
 Silicone Caulk  
 File  
 Drill  
 Level  
 Masking Tape

**Before starting installation of your new enclosure, carefully read all instructions and lay out parts to become familiar with their identity.**

### USE OF ANCHORS

Anchors are furnished with every enclosure. However, the use of anchors is not recommended when attaching your enclosure to a fiberglass unit or wall surrounds with board reinforced mounting areas. Mounting holes in this case should be drilled with an 1/8" drill bit.

Mounting of this unit on tile requires the use of anchors. Special care must be taken not to crack the tile. Before drilling holes in the tile, lightly chip glazed surface of tile at the desired locations. Drill holes using a 3/16" masonry drill bit. Insert anchors into the holes making certain that ring on large end of anchor meets the surface of the tile.

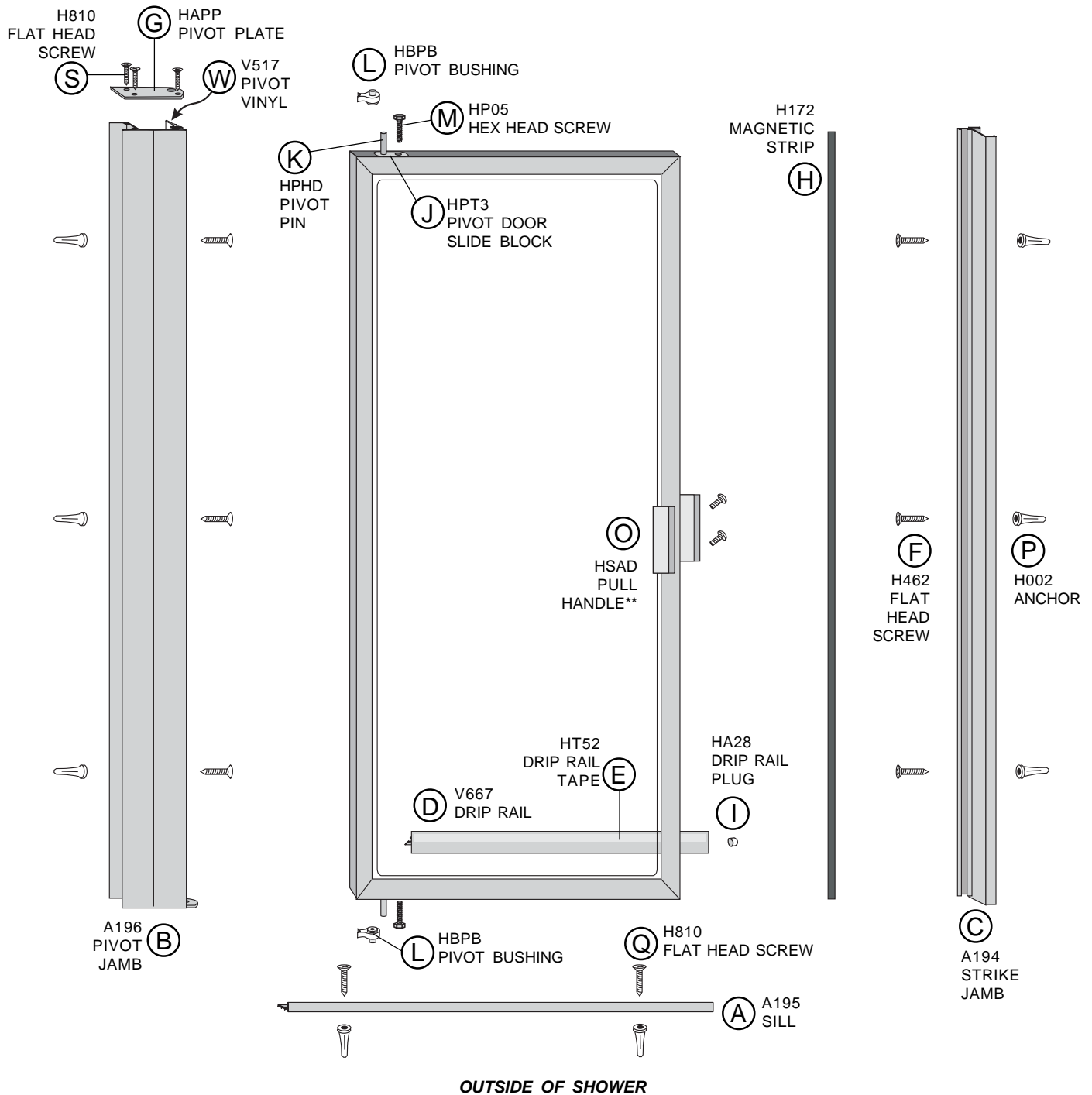
### CLEANING

Cleaning and care of your enclosure is important to its lasting beauty. We suggest using a nonabrasive liquid cleaner.  
*Never use scouring powder or pads.*

### SEALING

The use of a caulking compound can assure a water-tight seal when applied along outside edge of the enclosure where metal and bath meet. If desired, caulk inside of enclosure where jambs meet walls.

**Do not try to cut the mirrors or glass used in this enclosure.  
 Tempered glass and mirrors will disintegrate if cut.**



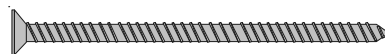
\*\* May be Pre-Installed



(Q) (S) **8A x 1 1/4 Flat Head Screw**  
 (H810 - Used for Sill and Pivot Plates)



(M) **8-32 x 1/2 Hex Head Screw**  
 (HP05 - Used for Pivot Door Slide Block)



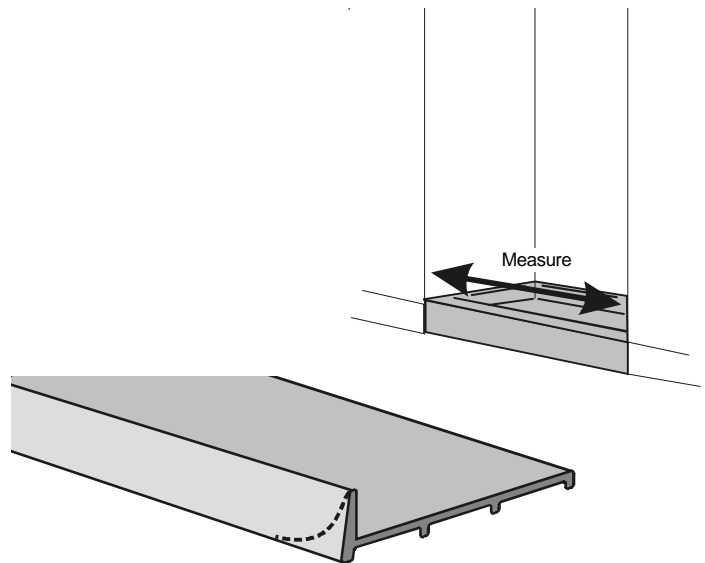
(F) **8A x 2 Flat Head Screw**  
 (H462 - Used for Jamb)

1

Sill (A)

Due to the manufacturing process, there may be rack marks present at one end of your sill and header. Sill and header must be trimmed to fit your individual opening. When cutting sill and header, make certain to trim off end with rack marks.

Measure opening at threshold of shower and cut **sill (A)** to exact measurement. If necessary file sharp edges to fit contour of your unit.

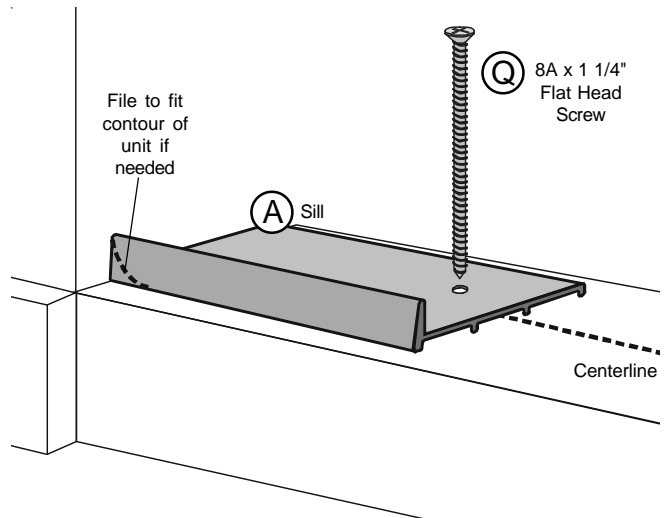


2

Sill (A)

Position sill on center of threshold (tall edge of sill toward outside of shower) and mark where mounting holes are to be drilled. Remove sill and drill holes using 1/8" drill bit. Reposition sill on threshold and secure using **8A x 1 1/4" flat head screws (Q)**.

When anchors (P) are used holes should be drilled using 3/16" drill bit. (Use masonry bit for tile)

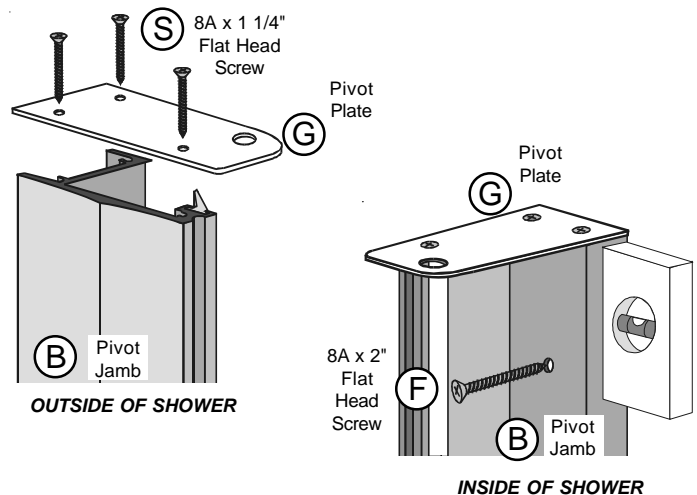


3

Pivot Jamb (B) / Pivot Plate (G)

Determine if door will hinge from right or left. This will determine top and bottom of **pivot jamb (B)**. Tighten **8A x 1 1/4" flat head screws (S)** firmly on bottom **pivot plate (G)** located in pivot jamb. On top plate, tighten, then loosen screws.

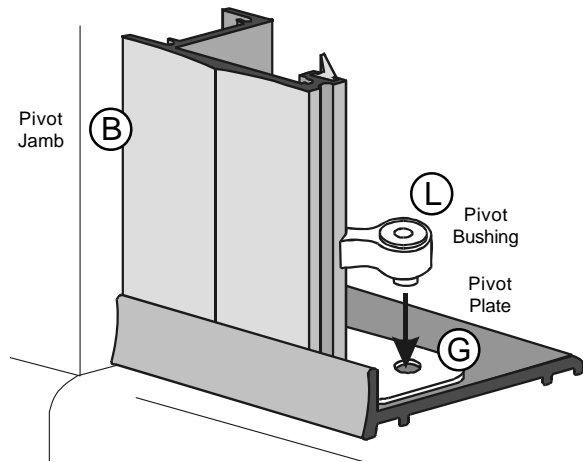
Position pivot jamb on sill (or threshold if sill is not used) and align vertically on wall using level. Mark hole locations and remove jamb. Drill holes where marked using 1/8" drill bit. Reposition jamb on wall and secure using **8A x 2" flat head screws (F)**.



4

## Pivot Bushing (L)

Insert **pivot bushing** (L) into bottom pivot plate by placing round portion partially in hole and straddling pivot jamb with "Y" end of bushing. Push the "Y" end of bushing downward until it snaps into place.

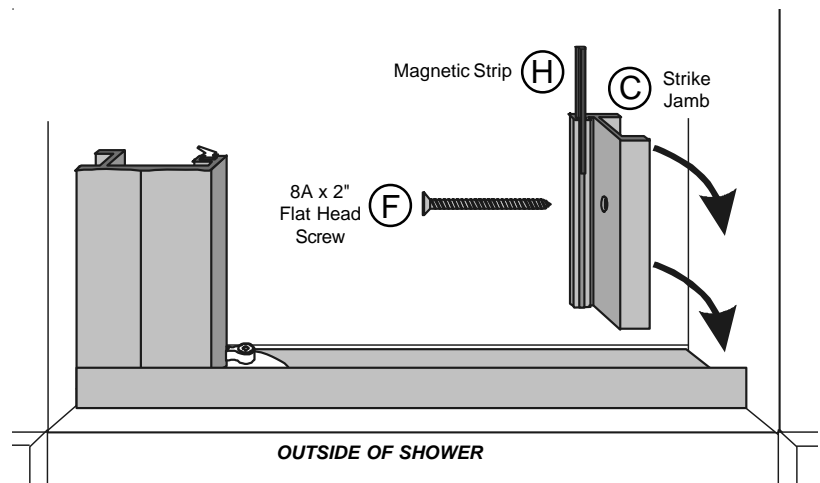


5

## Strike Jamb (C)

Slide **magnetic strip** (H) into slot of **strike jamb** (C). Trim ends even with strike jamb using scissors.

Position strike jamb firmly on sill against wall opposite pivot jamb (magnetic strip facing out from shower). Use level to properly align jamb. Mark wall through pre-punched holes. Remove jamb and drill mounting holes using 1/8" drill bit. Reposition strike jamb on wall and secure using **8A x 2" flat head screws** (F).

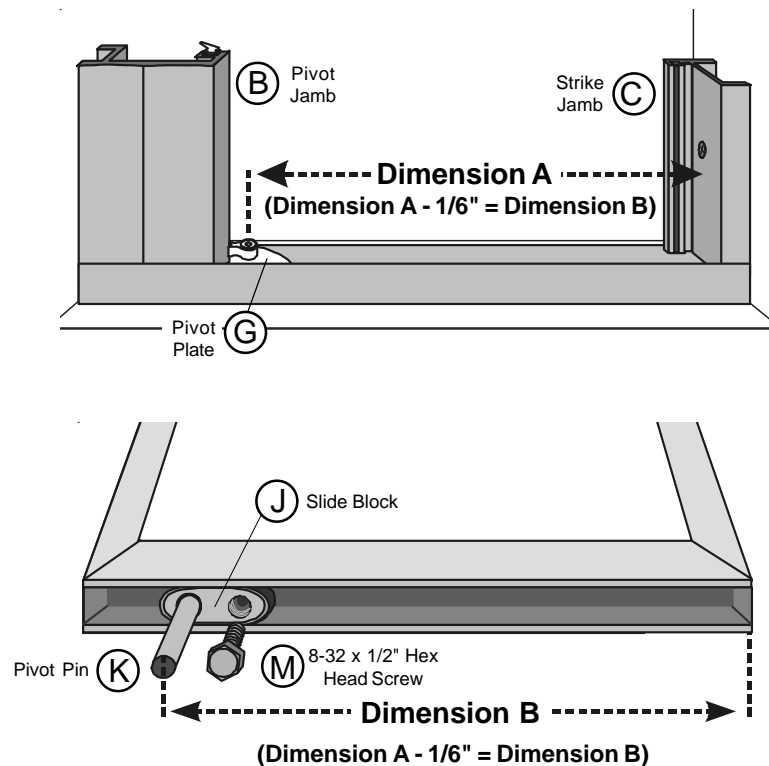


6

Slide Block (J)  
/ Pivot Pin (K)

Measure distance from center of hole in bottom pivot plate to flat surface of strike jamb (Dimension A). Deduct 1/16" from this measurement and position **slide block** (J) in bottom door channel so that the center of **pivot pin** (K) is that exact measurement (Dimension B) from edge of door. Insert **8-32 x 1/2" hex head screw** (M) into threaded hole in slide block and tighten with hex head wrench.

Using that measurement, position top slide block and hand-tighten hex head screw for adjustment later.



## 7

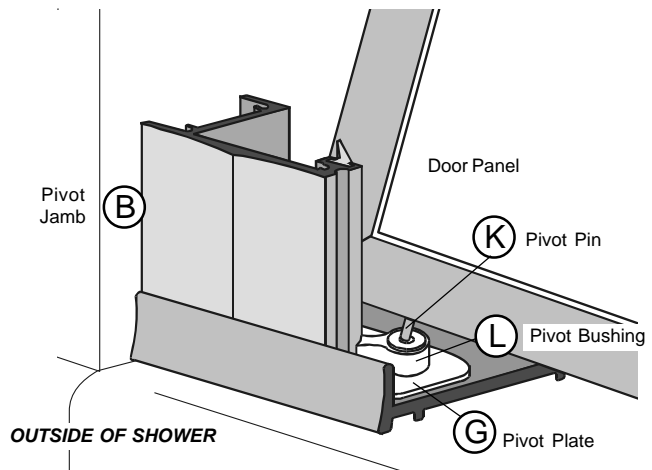
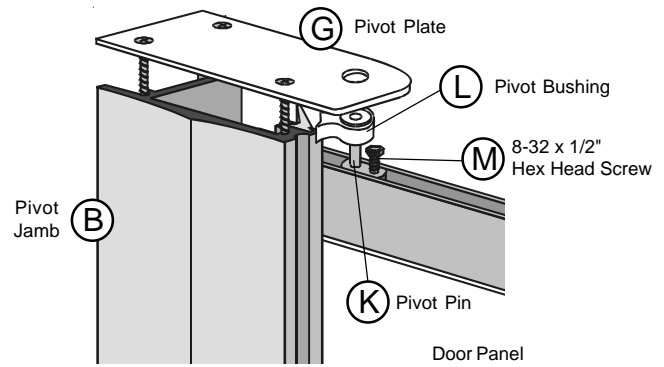
### Install Door

Set door in place by positioning bottom **pivot pin (K)** in **pivot bushing (L)** of bottom **pivot plate (G)**.

Lift top pivot plate and insert top pivot pin into bushing. Tighten top flat head screws to hold door in place.

Adjust door for any out of plumb conditions, then tighten hex head screw in top slide block using hex head wrench.

**If magnetic strips do not seal tightly, reverse polarity by removing strip from door stop and replacing the previous top end to the bottom end.**

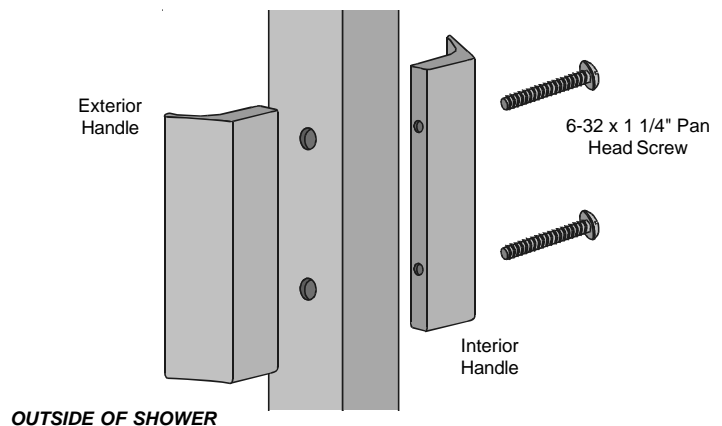


## 8

### Pull Handle Kit (O)

*The handle for your door may have been pre-installed. If so, disregard this step and continue installation.*

Mount **interior** and **exterior pull handles** from **pull handle kit (O)** onto door panel using **6-32 x 1 1/4\" pan head screws**.

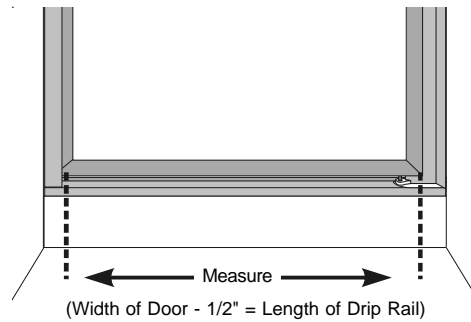


9a

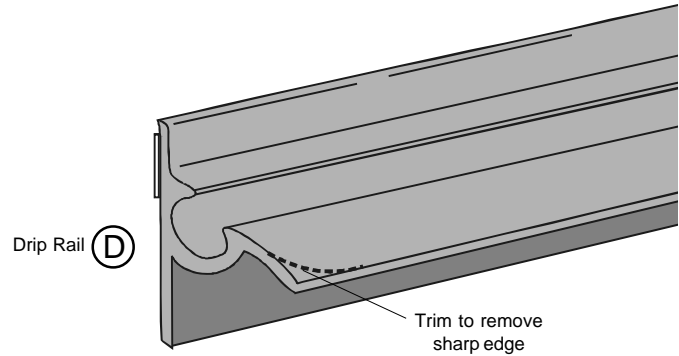
Drip Rail (D)

From inside shower, measure width of door panel at bottom. **Drip rail (D)** should be 1/2" shorter than door panel width. If longer, cut to proper length.

Contour cut end of drip cap fin to remove sharp point.



INSIDE OF SHOWER



9b

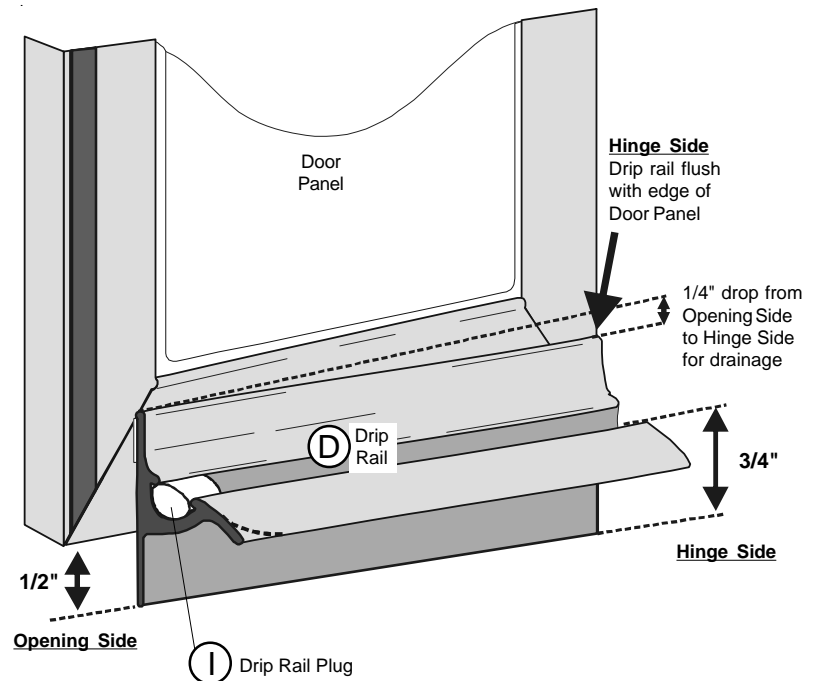
Drip Rail (D)

**Clean bottom channel of door before mounting drip rail. After mounting, do not remove or reposition. Allow 72 hours curing time for maximum bond.**

Position drip rail on inside surface of closed door panel as described below:

- **Side-to-side placement:** Edge of drip rail should be flush with edge of door panel on pivot side of door.
- **Vertical placement:** Bottom of drip rail should extend 1/2" below bottom of door panel on **opening side**. Angle drip rail so that sweep extends 3/4" below bottom of door panel on **pivot side**. This will create an 1/4" slope from opening to hinge side for water drainage.

Mark position. Remove drip rail from door. Peel protective cover from **drip rail tape (E)**, and press into place. Insert **drip rail plug (I)** into groove of drip rail on opening side of door.



INSIDE OF SHOWER

# 10

## Caulk

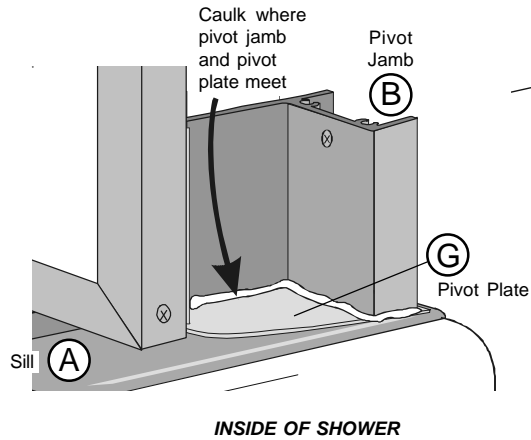
The use of a caulking compound will assure a water-tight seal. Apply caulk along outside edge of enclosure where metal and shower meet, especially where sill meets threshold.

On opening side of door, caulk joint where sill and strike jamb meet.

On pivot side of door, caulk where bottom pivot plate and pivot jamb meet.

If desired, caulk inside of enclosure where jambs meet walls.

Pivot side of door:



Opening side of door:

