

763R / 713R -GP
(764R / 714R -GP)

Pivot Door with Adjustable Jamb



Technical Assistance is available Monday - Friday, 8:00 a.m. - 5:00 p.m. (Central Time)
1-877-723-7190 (Toll Free)

PARTS LIST

FRAME PACKAGE

KEY	DESCRIPTION	PART	QTY
A	SILL	A263	1
B	PIVOT JAMB	A960	1
C	STRIKE JAMB	A730	1
E	ADJUSTABLE JAMB	A265	1
D	DRIP RAIL	A710 / V667	1
F	DRIP RAIL SWEEP *	VS91	1
I	DRIP RAIL TAPE (I)	HT52	1
H	MAGNETIC STRIP	H170	1
J	PIVOT DOOR SLIDE BLOCK (I)	HPT3	2
W	PIVOT VINYL (I)	V517	1

HARDWARE BAG PARTS

P	DRIP RAIL PLUG	HA28	1
G	PIVOT PLATE	HA65	2
K	PIVOT PIN (I)	HPHD	2
L	NYLON WASHER	HW81	1
M	8-32 X 1/2 HEX HEAD SCREW	HP05	2
N	8A X 3/8 PAN HEAD SELF-DRILLING SCR	H900	8
O	PULL HANDLE KIT (II)	HSAD	
	EXTERIOR PULL HANDLE	HA31	1
	INTERIOR PULL HANDLE	HA32	1
	6-32 X 1 1/4 PAN HEAD SCREWS	H485	2
R	ANCHORS	H002	6
Q	8A X 1 1/4 FLAT HEAD SCREW	H810	6

* Optional (I) Pre-Installed (II) May be Pre-Installed

TOOLS NEEDED

1/8" Drill Bit
 3/16" Drill Bit
 (3/16" Masonry Bit for
 Ceramic Tile)
 Scratch Awl
 Measuring Tape
 Hacksaw
 Phillips Screw Driver
 Caulking Compound
 File
 Drill
 Level
 Masking Tape
 Hex Head Wrench

Before starting installation of your new enclosure, carefully read all instructions and lay out parts to become familiar with their identity.

USE OF ANCHORS

Anchors are furnished with every enclosure. However, the use of anchors is not recommended when attaching your enclosure to a fiberglass unit or wall surrounds with board reinforced mounting areas. Mounting holes in this case should be drilled with an 1/8" drill bit.

Mounting of this unit on tile requires the use of anchors. Special care must be taken not to crack the tile. Before drilling holes in the tile, lightly chip glazed surface of tile at the desired locations. Drill holes using a 3/16" masonry drill bit. Insert anchors into the holes making certain that ring on large end of anchor meets the surface of the tile.

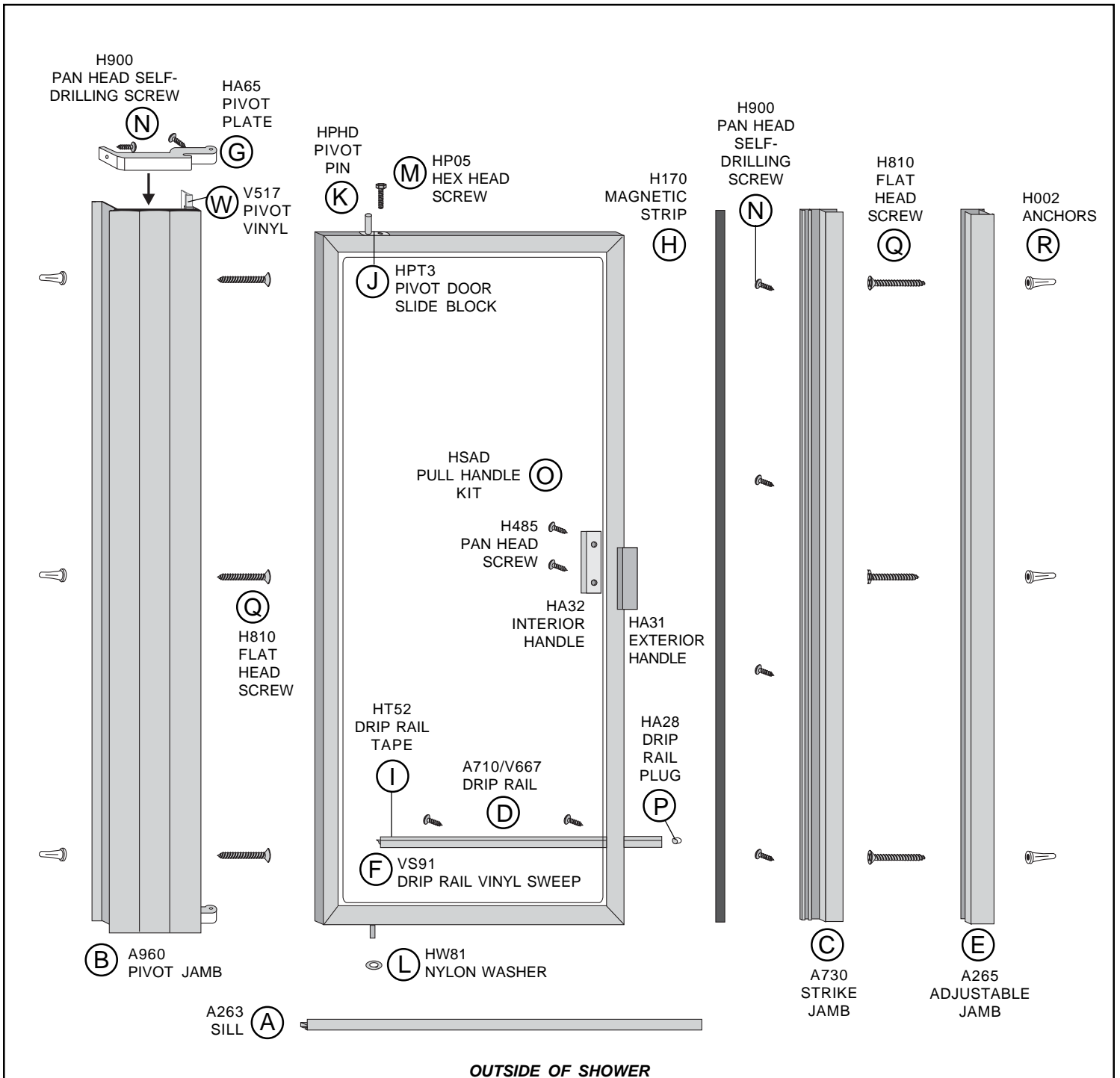
CLEANING

Cleaning and care of your enclosure is important to its lasting beauty. We suggest using a nonabrasive liquid cleaner.
Never use scouring powder or pads.

SEALING

The use of a caulking compound can assure a water-tight seal when applied along outside edge of the enclosure where metal and bath meet. If desired, caulk inside of enclosure where jambs meet walls.

**Do not try to cut the mirrors or glass used in this enclosure.
 Tempered glass and mirrors will disintegrate if cut.**



(N) 8A x 3/8 Pan Head Self-Drilling Screw
 (H900 - Used for Pivot Plates and to attach Strike Jamb to Adjustable Jamb)

(Q) 8A x 1 1/4 Flat Head Screw
 (H810 - Used for Jamb)

(M) 8-32 x 1/2 Hex Head Screw
 (HP05 - Used for Pivot Door Slide Block)

(O) 6-32 x 1 1/4 Pan Head Screw
 (H485 - Used for Handle)

1

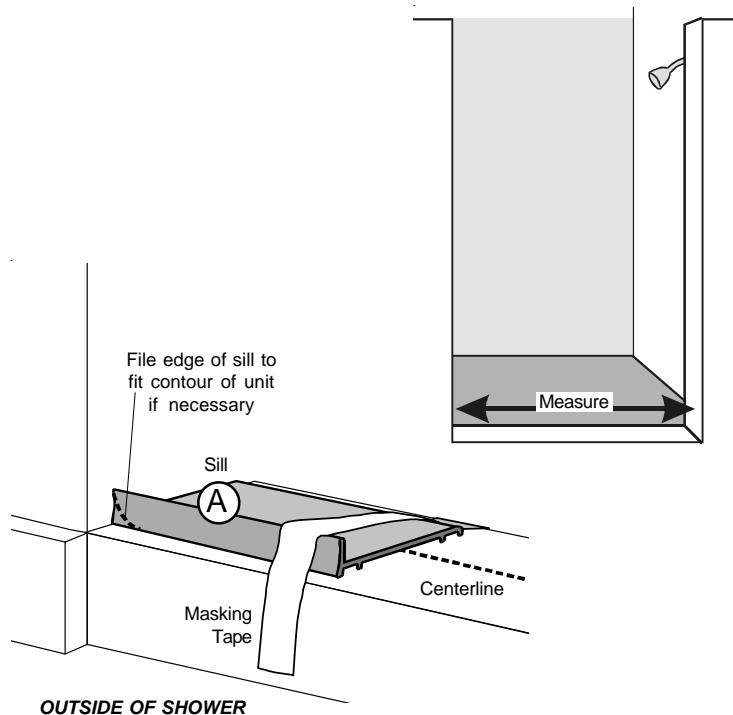
Sill (A)

Due to the manufacturing process, there may be rack marks present at one end of your sill and header. Sill and header must be trimmed to fit your individual opening. When cutting sill and header, make certain to trim off end with rack marks.

Measure opening at threshold of shower and cut sill (A) to exact measurement.

If necessary for a smooth fit, file edges of sill to fit the contour of your unit.

Position sill on center of threshold with tall edge of sill toward outside of shower. Tape sill to threshold with masking tape to hold in place while positioning jambs.



2

Pivot Jamb (B) / Pivot Plate (G)

To determine that pivot jamb is correct length for unit, measure height of door panel. Measure length of pivot jamb. Correct length for pivot jamb is approximately 1 1/2" longer than door panel height.

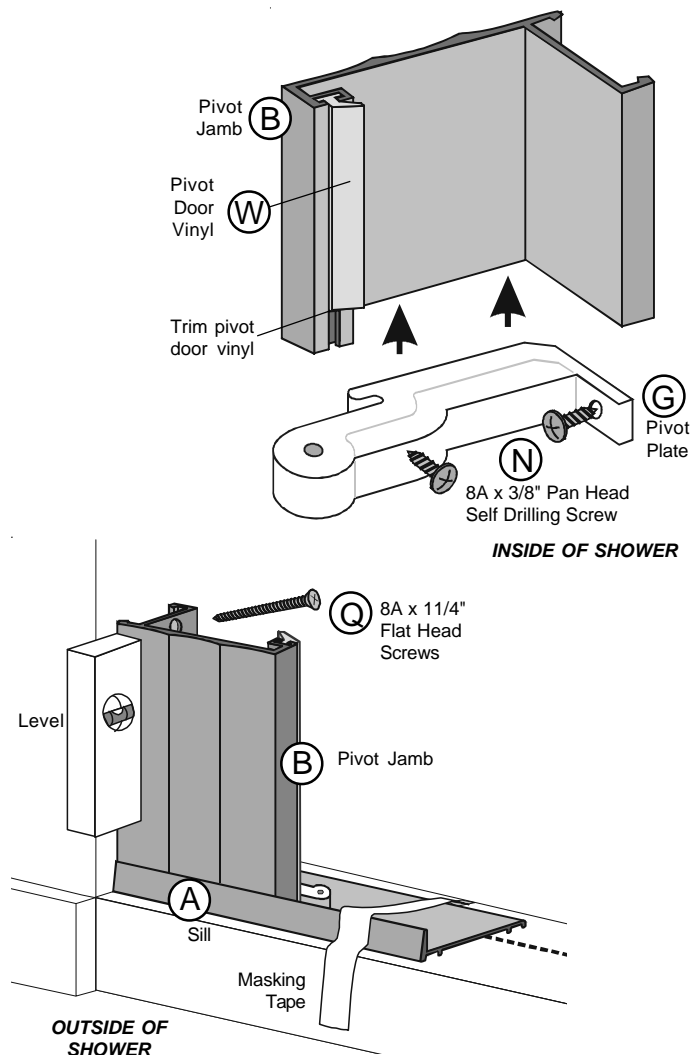
Decide which will be the opening side of your door. Door is normally installed to open on the showerhead side of unit. **Pivot jamb (B)** will be mounted on wall opposite from opening side.

Before placing pivot jamb against wall, bottom **pivot plate (G)** will be mounted onto bottom of pivot jamb. Trim bottom of **pivot door vinyl (W)** so that pivot plate will fit flush against pivot jamb. Slide pivot plate into bottom of pivot jamb. Mount using **8A x 3/8" pan head self-drilling screws (N)**. (Mount only bottom pivot plate at this time. Top plate will be mounted later in installation.)

Position pivot jamb against wall with bottom resting on sill (or threshold if sill is not used). Align vertically using level. Mark wall through pre-punched holes.

Remove jamb and drill where marked using 1/8" drill bit. Reposition jamb and secure using **8A x 1 1/4" flat head screws (Q)**.

When anchors (R) are used holes should be drilled using 3/16" drill bit. (Use masonry bit for tile.)



3

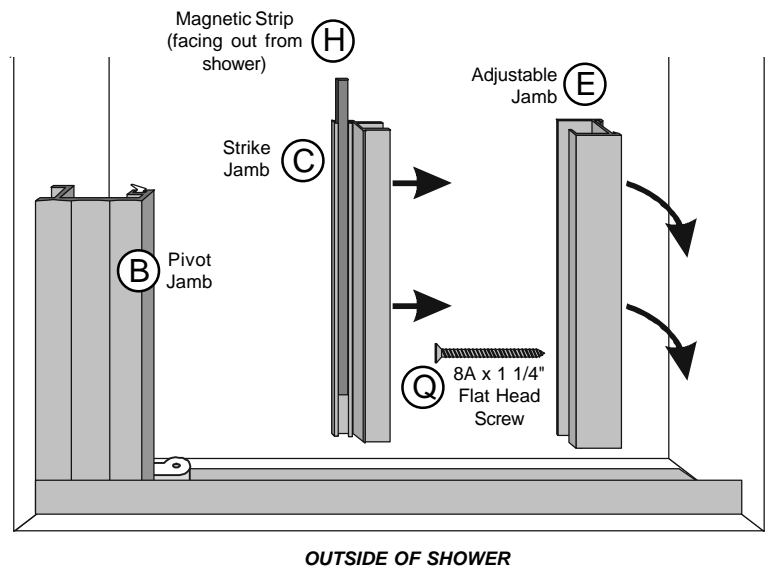
**Strike Jamb (C) /
Adjustable Jamb (E)**

Slide **magnetic strip (H)** into slot of **strike jamb (C)**. Trims ends even with scissors.

Position **adjustable jamb (E)** against opening side wall with bottom resting on sill. Align jamb vertically using a level. Drill four evenly spaced holes through adjustable jamb into wall using a 1/8" drill bit.

Secure jamb to wall using **8A x 1 1/4" flat head screws (Q)**.

Slide strike jamb into adjustable jamb with magnetic strip facing out from shower.



4

Slide Block (J) / Pivot Pin (K)

At bottom of pivot jamb, measure distance from the center of hole in bottom pivot plate to the flat surface of strike jamb. This is **Dimension A**.

Subtract 1/16" from **Dimension A** to find **Dimension B**.

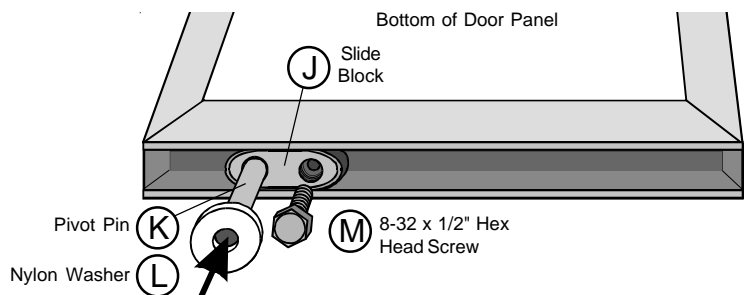
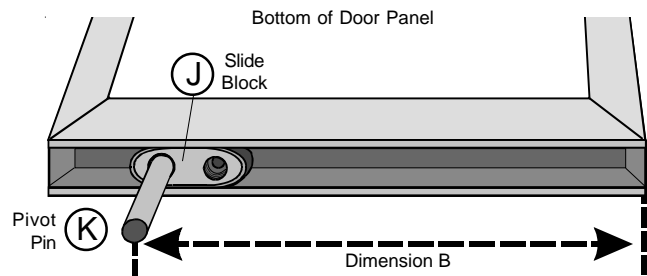
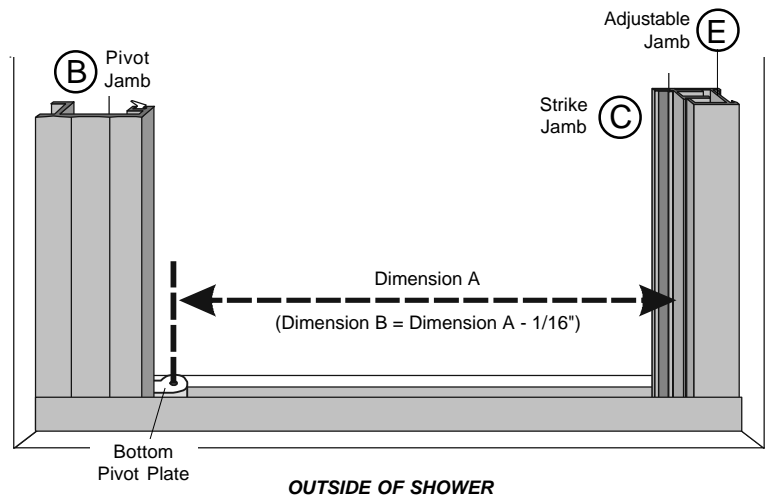
$$\boxed{\text{Dimension A}} - 1/16" = \boxed{\text{Dimension B}}$$

Locate **slide block (J)** in bottom channel of door panel. Locate pre-installed **pivot pin (K)** in slide block.

Position slide block so that the distance between the center of the pivot pin and the edge of the door panel is equal to **Dimension B**.

Insert **8-32 x 1/2" hex head screw (M)** into threaded hole in slide block and tighten with hex head wrench.

Slip **nylon washer (L)** onto pivot pin.



5

Door Panel

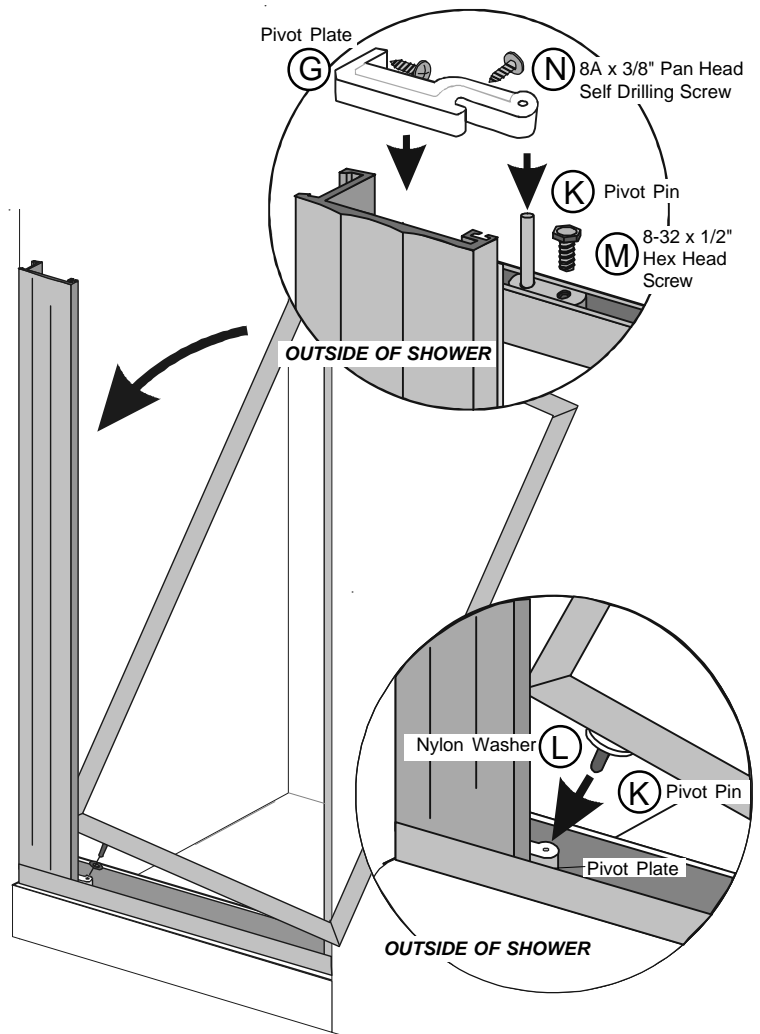
If magnetic strips do not seal tightly, reverse polarity by removing strip from door stop and replacing it with the previous top end as the bottom end.

Lift door panel, inserting pivot pin into hole of bottom pivot plate. Tilt top of door to normal position, allowing door to close. (Magnetic strip should hold door in place.)

At top of door, trim pivot door vinyl and slide pivot plate into top of pivot jamb. As pivot plate is lowered into place in jamb, move slide block in top channel of door panel so that pivot pin fits into hole of pivot plate.

Secure pivot plate to pivot jamb using 8A x 3/8" pan head self-drilling screws.

Check alignment of door panel, making certain that door closes evenly. Secure slide block in top channel by inserting hex head screw in threaded hole of slide block and tightening.

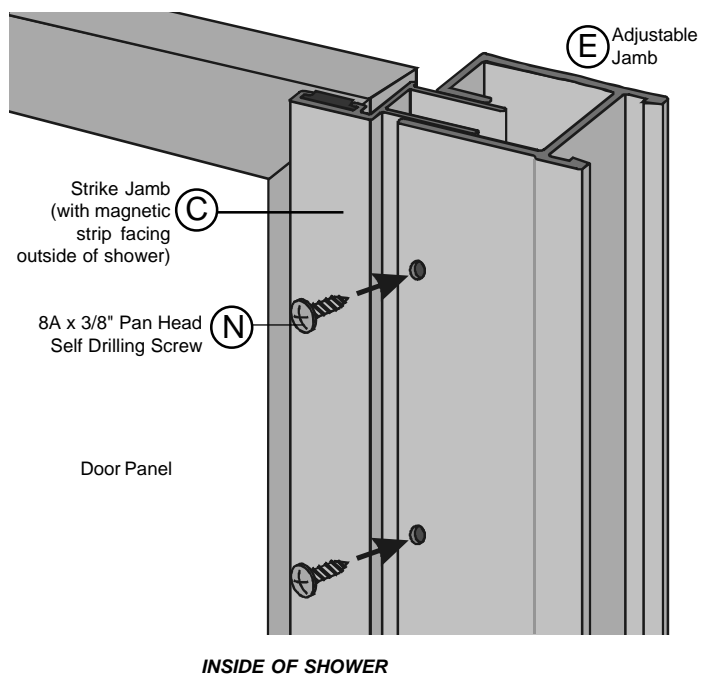


6

Secure Strike Jamb

With door in closed position, adjust strike jamb to fit snugly against door panel.

From inside shower, drill four evenly spaced holes through inside leg of adjustable jamb into strike jamb using 1/8" drill bit. Secure using 8A x 3/8" pan head self-drilling screws (N).

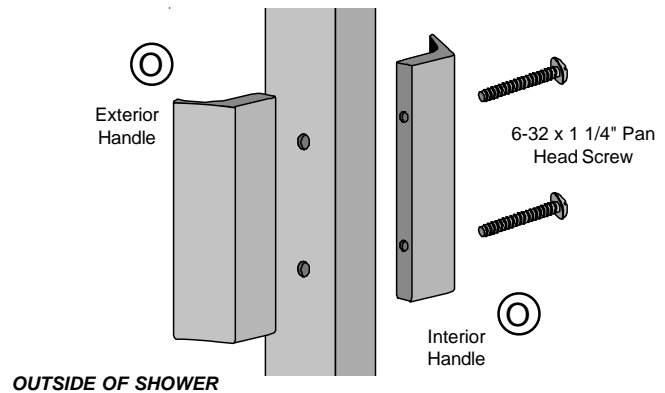


7

Pull Handle Kit (O)

The handle for your door may have been pre-installed. If so, disregard this step and continue installation.

Mount **interior** and **exterior pull handles** from pull handle kit (O) onto door panel using **6-32 x 1 1/4" pan head screws**.



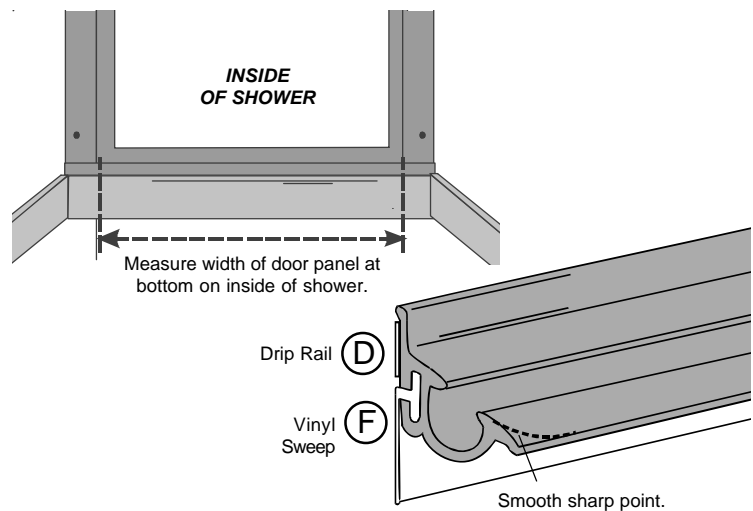
8a

Drip Rail (D)

From inside shower, measure width of door panel at bottom. **Drip rail (D)** should be 1/2" shorter than door panel width. If longer, cut to proper length. Smooth cut end of drip cap fin with a file to remove sharp point.

For one-piece vinyl drip rail (V667), continue with Step 8b.

Slide **vinyl sweep (F)** into slot on back of drip rail. Trim ends even with edges of drip rail.



8b

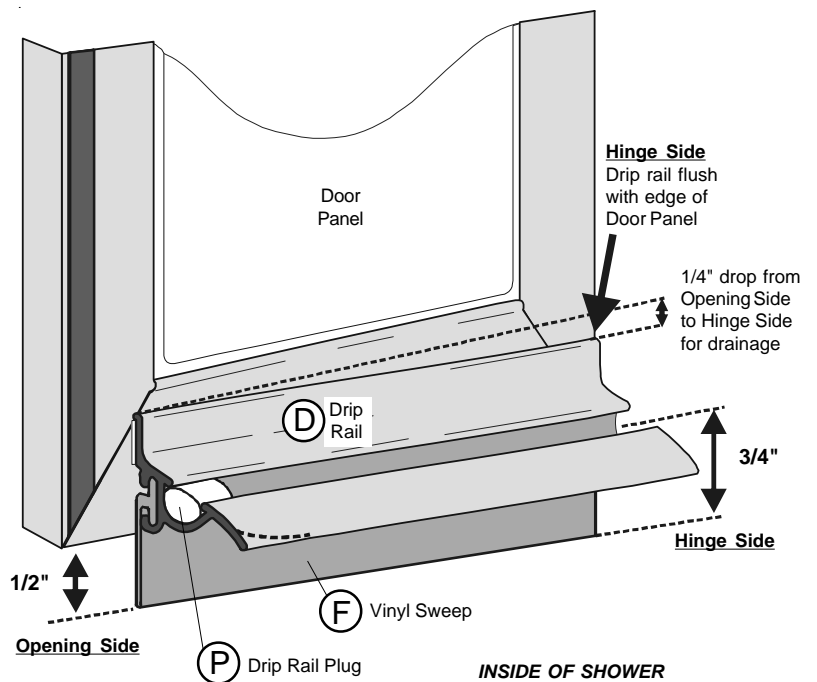
Drip Rail (D)

Clean bottom channel of door before mounting drip rail. After mounting, do not remove or reposition. Allow 72 hours curing time for maximum bond.

Position drip rail on inside surface of door panel as described below:

- **Side-to-side placement:** Edge of drip rail should be flush with edge of door panel on hinge side of door.
- **Vertical placement:** Vinyl sweep should extend 1/2" below bottom of door panel on **opening side**. Angle drip rail so that vinyl sweep extends 3/4" below bottom of door panel on **hinge side**. This will create an 1/4" slope from opening to hinge side for water drainage.

Mark position. Remove drip rail from door. Peel protective cover from tape, and press into place. Insert **drip rail plug (P)** into groove of drip rail on opening side of door.



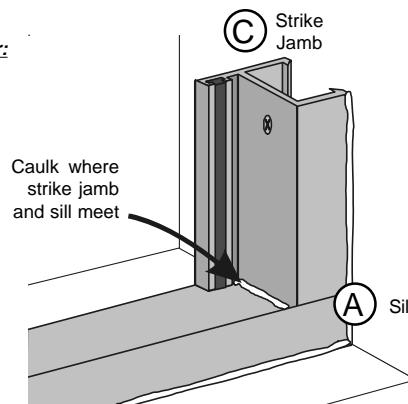
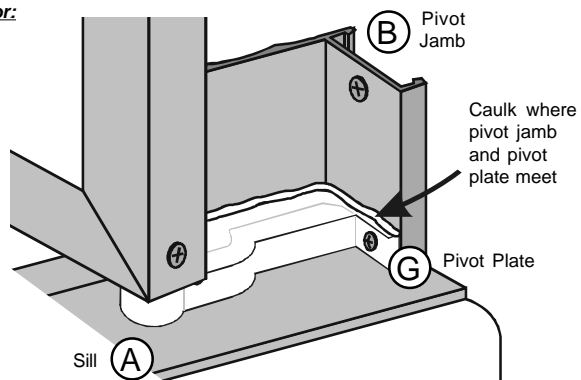
Drip rail may be additionally secured using 8A x 3/8" truss head screws. When drilling in door panel, make certain drill does not hit glass. Glass is seated approximately 1/2" into channel.

9**Caulk**

The use of a caulking compound will assure a water-tight seal. Apply caulk along outside edge of enclosure where metal and shower meet, especially where sill meets threshold. If desired, caulk inside of enclosure where jambs meet walls.

On opening side of door, caulk joint where sill and strike jamb meet.

On pivot side of door, caulk where bottom pivot plate and pivot jamb meet.

Opening Side of Door:**OUTSIDE OF SHOWER****Pivot Side of Door:****INSIDE OF SHOWER**