

7631 / 7131 - GP
(7641 / 7141 - GP)

Pivot Door



Technical Assistance is available Monday - Friday, 8:00 a.m. - 5:00 p.m. (Central Time)
1-877-723-7190 (Toll Free)

PARTS LIST

FRAME PACKAGE

KEY	DESCRIPTION	PART	QTY
A	SILL	A263	1
B	PIVOT JAMB	A960	1
C	STRIKE JAMB	A961	1
D	DRIP RAIL	A710 / V667	1
E	DRIP RAIL SWEEP (I)	VS91	1
F	MAGNETIC STRIP	H170	1
G	DRIP RAIL TAPE *	HT52	1
I	PIVOT DOOR SLIDE BLOCK *	HPT3	2
K	PIVOT VINYL *	V517	1

HARDWARE BAG

H	DRIP RAIL PLUG	HA28	1
L	PIVOT PLATE	HA65	2
M	PIVOT PIN *	HPHD	2
N	NYLON WASHER	HW81	1
O	8-32 X 1/2 HEX HEAD SCREW	HP05	2
P	8A X 3/8 PAN HEAD SELF-DRILLING SCR	H900	4
S	8A X 5/8 PAN HEAD SELF-DRILLING SCR	H437	2
Q	ANCHORS	H002	6
R	8A X 1 1/4 FLAT HEAD SCREW	H810	6
J	PULL HANDLE KIT **	HSAD	1
	EXTERIOR HANDLE	HA31	1
	INTERIOR HANDLE	HA32	1
	6-32 X 1 1/4 PAN HEAD SCREW	H485	2

(I) Optional * Pre-Installed ** May be Pre-Installed

TOOLS NEEDED

1/8" Drill Bit
 3/16" Drill Bit
 (3/16" Masonry Bit for
 Ceramic Tile)
 Pencil
 Measuring Tape
 Hacksaw
 Phillips Screw Driver
 Silicone Caulk
 File
 Drill
 Level
 Masking Tape
 Hex Head Wrench

Before starting installation of your new enclosure, carefully read all instructions and lay out parts to become familiar with their identity.

USE OF ANCHORS

Anchors are furnished with every enclosure. However, the use of anchors is not recommended when attaching your enclosure to a fiberglass unit or wall surround with board reinforced mounting areas. Mounting holes in this case should be drilled with an 1/8" drill bit.

Mounting of this unit on tile requires the use of anchors. Special care must be taken not to crack the tile. Before drilling holes in the tile, lightly chip glazed surface of tile at the desired locations. Drill holes using a 3/16" masonry drill bit. Insert anchors into the holes making certain that ring on large end of anchor meets the surface of the tile.

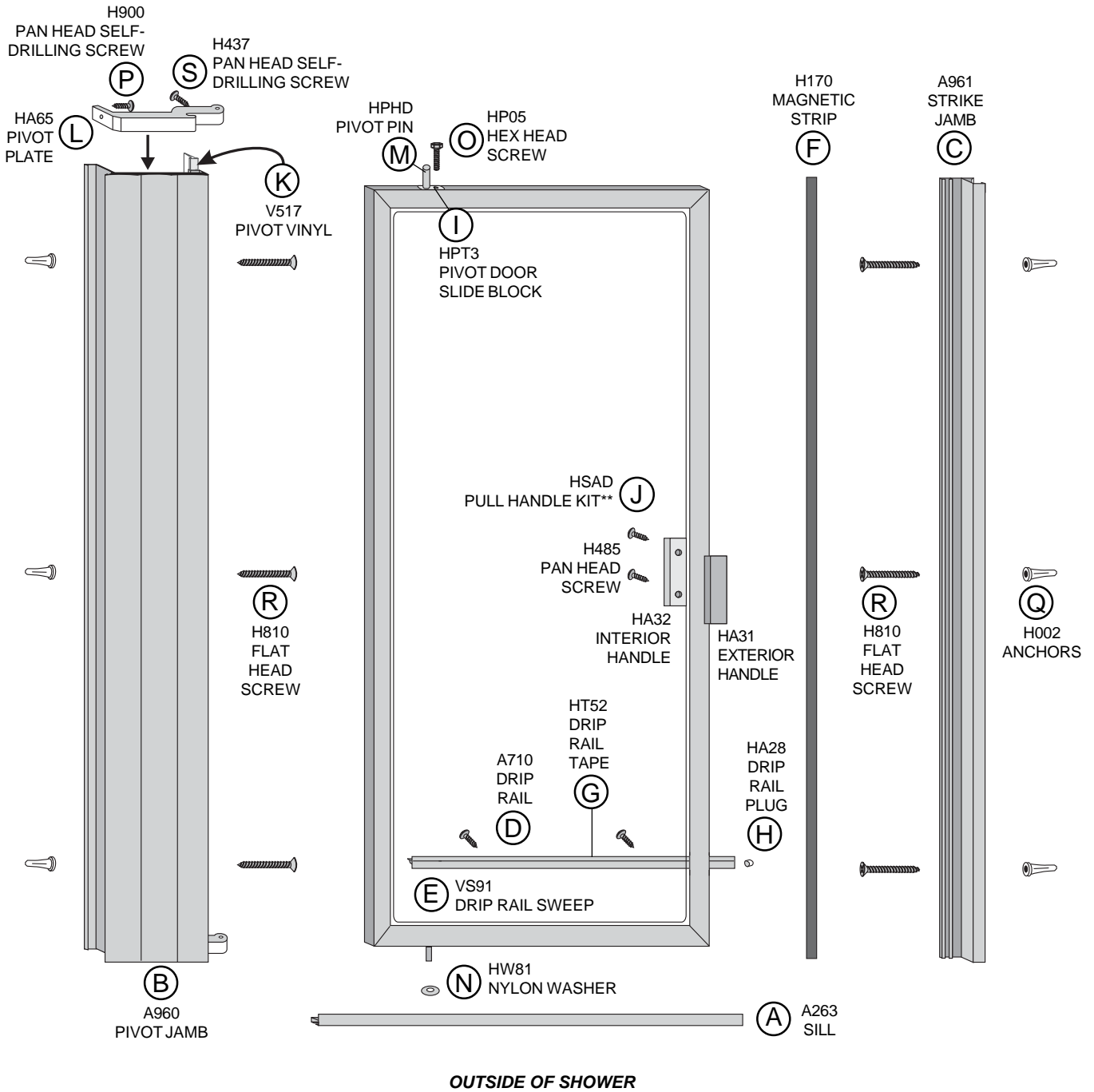
CLEANING

Cleaning and care of your enclosure is important to its lasting beauty. We suggest using a nonabrasive liquid cleaner.
Never use scouring powder or pads.

SEALING

The use of a caulking compound can assure a water-tight seal when applied along outside edge of the enclosure where metal and bath meet. If desired, caulk inside of enclosure where jambs meet walls.

**Do not try to cut the mirrors or glass used in this enclosure.
 Tempered glass and mirrors will disintegrate if cut.**



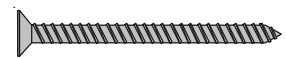
** May be Pre-Installed



(S) **8A x 5/8 Pan Head Self-Drilling Screw**
(H437 - Used for Pivot Plates)



(P) **8A x 3/8 Pan Head Self-Drilling Screw**
(H900 - Used for Pivot Plates)



(R) **8A x 1 1/4 Flat Head Screw**
(H810 - Used for Jamb)



(O) **8-32 x 1/2 Hex Head Screw**
(HP05 - Used for Pivot Door Slide Block)



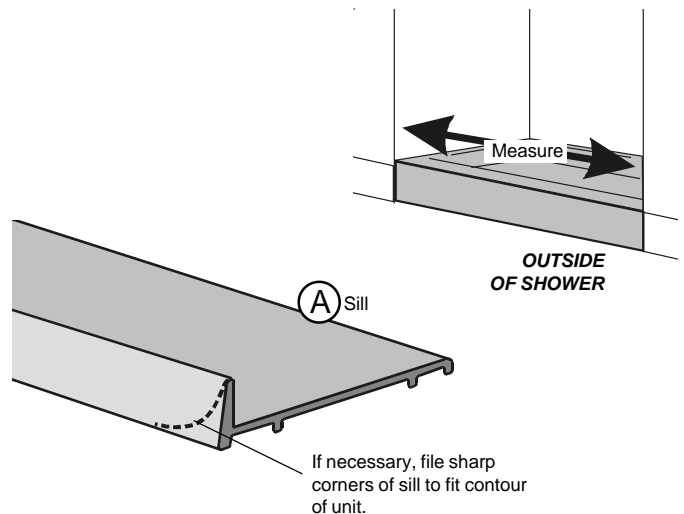
(J) **6-32 x 1 1/4 Pan Head Screw**
(H485 - Used for Pull Handle Kit)

1

Sill (A)

Due to the manufacturing process, there may be rack marks present at one end of your sill. Sill must be trimmed to fit your individual opening. When cutting sill, make certain to trim off end with rack marks.

Measure opening at threshold of shower and cut **sill (A)** to that measurement. If necessary for a smooth fit, file sharp corners of sill to fit contour of your unit.

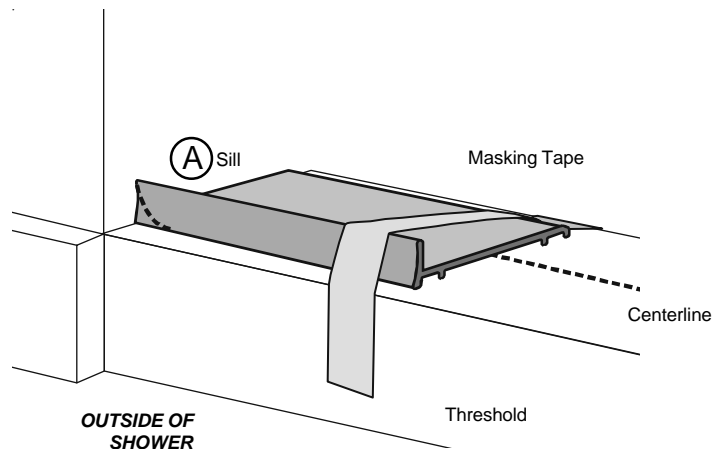


2

Sill (A)

Position sill on center of threshold with tall edge of sill toward outside of shower.

Tape sill to threshold with masking tape to hold in place while positioning jambs.



3

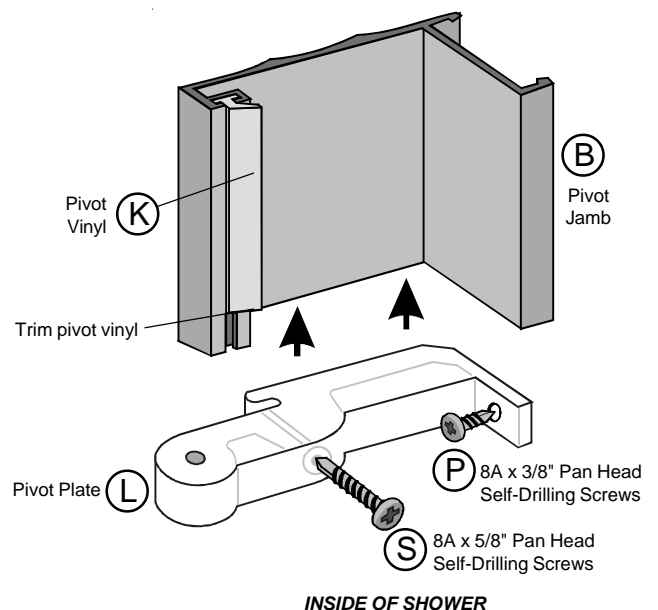
Pivot Jamb (B) / Pivot Plate (L)

Decide which will be the opening side of your door. Door is normally installed to open on the showerhead side of unit. **Pivot jamb (B)** will be mounted on wall opposite from opening side.

Before placing pivot jamb against wall, bottom **pivot plate (L)** will be mounted onto bottom of pivot jamb.

Trim bottom of **pivot door vinyl (K)** so that pivot plate will fit flush against pivot jamb. Slide pivot plate into bottom of pivot jamb. Secure using **8A x 3/8" and 8A x 5/8" pan head self-drilling screw (P, S)** as shown in illustration.

(Mount only bottom pivot plate at this time. Top plate will be mounted later in installation.)



4

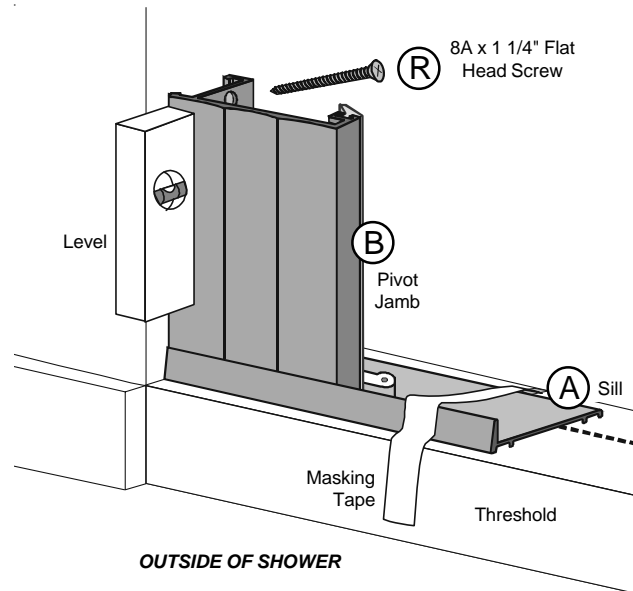
Pivot Jamb (B)

To determine that pivot jamb is the correct length for your unit, measure height of door panel. Measure length of pivot jamb. Correct length for pivot jamb is approximately 1 1/2" longer than door panel height.

Position pivot jamb against wall with bottom resting on sill. Align vertically using level. Mark wall through pre-punched holes.

Remove jamb and drill where marked using 1/8" drill bit. Reposition pivot jamb and secure using 8A x 1 1/4" flat head screws (R).

When anchors (Q) are used holes should be drilled using 3/16" drill bit. (Use masonry bit for tile.)



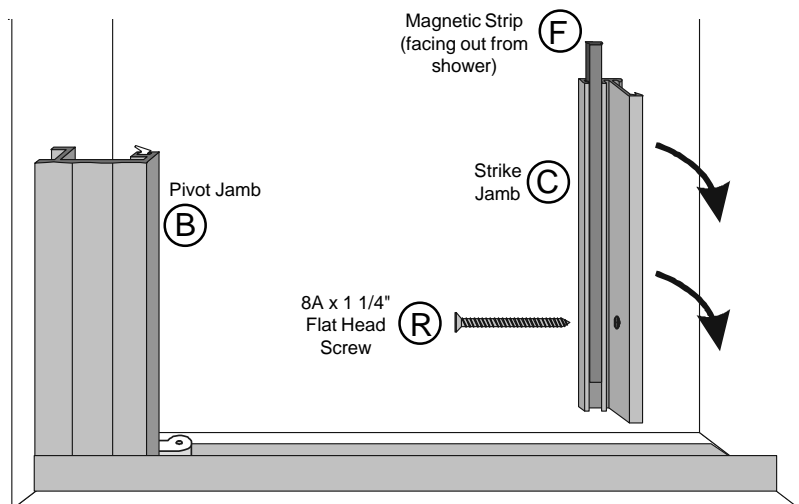
5

Strike Jamb (C)

Slide magnetic strip (F) into slot of strike jamb (C). Trim ends even with scissors.

Position strike jamb against opening side wall with magnetic strip facing out from shower and bottom resting on sill. Align jamb vertically using level and mark wall through pre-punched holes. Remove jamb and drill where marked using 1/8" drill bit.

Reposition strike jamb on wall and secure using 8A x 1 1/4" flat head screws (R).



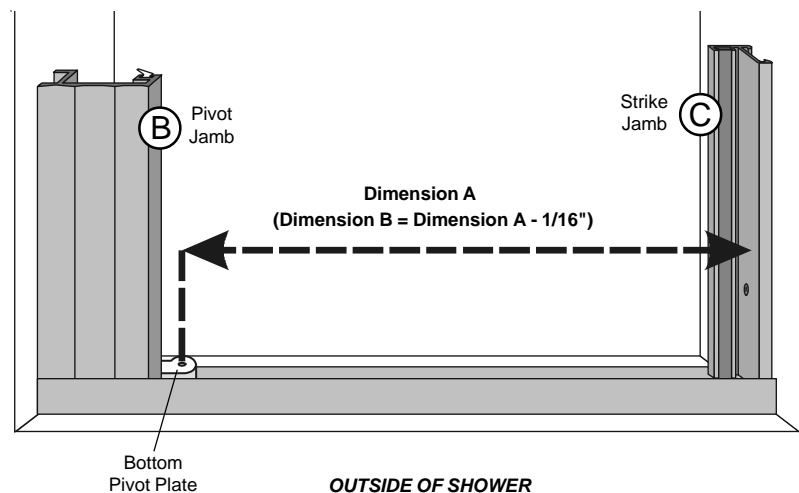
6

Measure

At bottom of pivot jamb, measure distance from center of hole in bottom pivot plate (attached to pivot jamb) to flat surface of strike jamb and record in box as Dimension A.

Subtract 1/16" from Dimension A to find Dimension B.

$$\boxed{\text{Dimension A}} - \frac{1}{16}'' = \boxed{\text{Dimension B}}$$



7

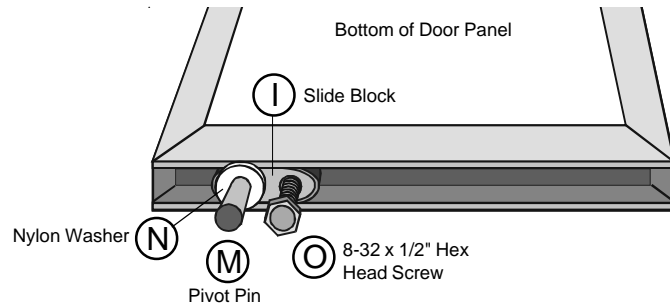
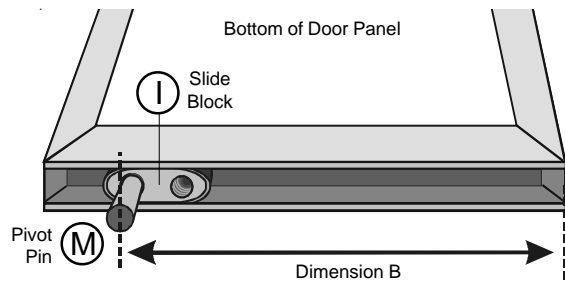
Slide Block (I) / Pivot Pin (M)

Locate **slide block** (I) in bottom channel of door panel. Locate pre-installed **pivot pin** (M) in slide block.

Position slide block so that the distance between the center of the pivot pin and the edge of the door panel is equal to **Dimension B**.

Insert **8-32 x 1/2" hex head screw** (O) into threaded hole in slide block and tighten with hex head wrench.

Slip **nylon washer** (N) onto pivot pin.

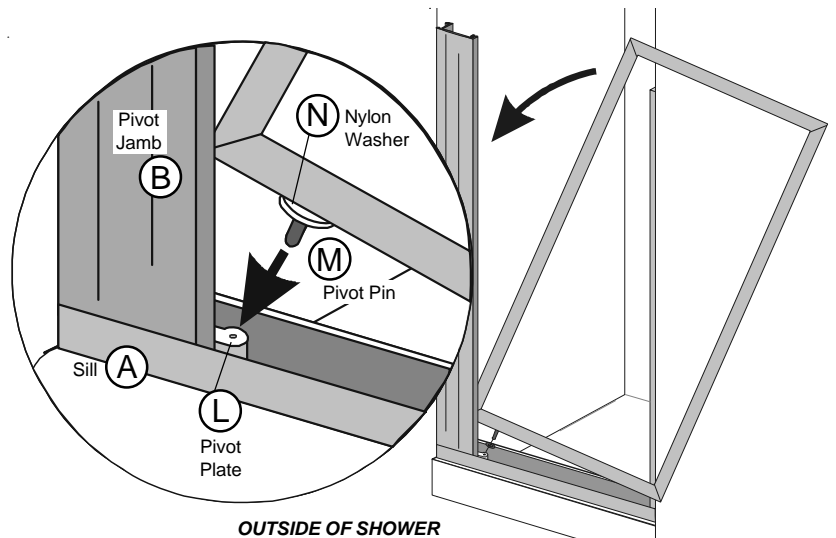


8

Door Panel

If magnetic strips do not seal tightly, reverse polarity by removing strip from door stop and replacing it with the previous top end to the bottom end.

Lift door panel, inserting pivot pin into hole of bottom pivot plate. Tilt top of door to normal position, allowing door to close. (Magnetic strip should hold door in place.)



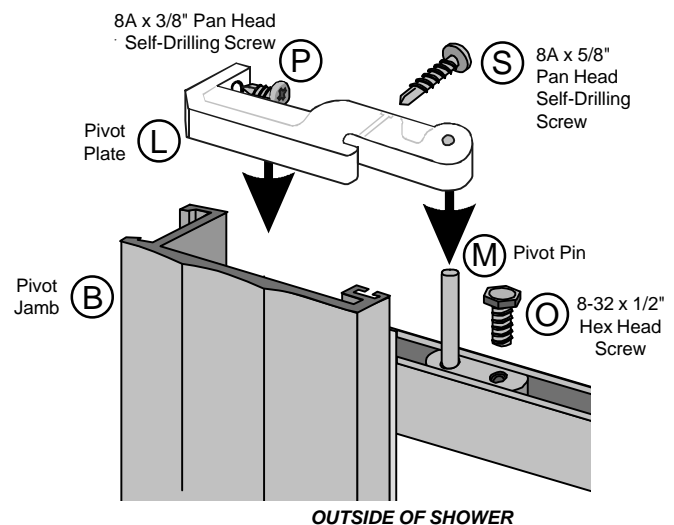
9

Door Panel

At top of door, trim pivot door vinyl and slide pivot plate into top of pivot jamb. As pivot plate is lowered into place in jamb, move slide block in top channel of door panel so that pivot pin fits into hole of pivot plate.

Secure pivot plate to pivot jamb using **8A x 3/8" and 8A x 5/8" pan head self-drilling screw** as shown in illustration.

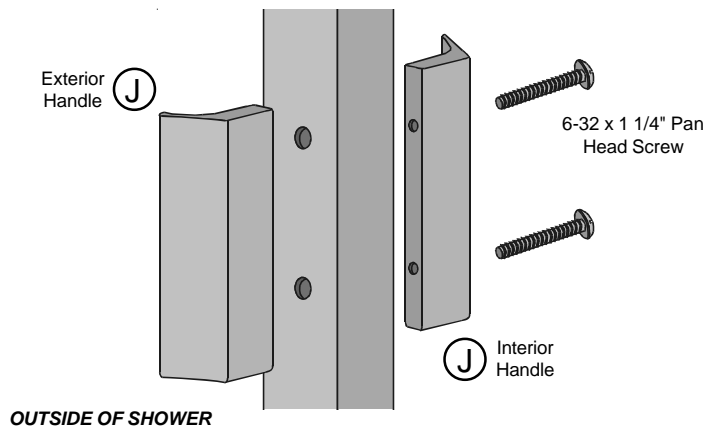
Check alignment of door panel, making certain that door closes evenly. Secure slide block in top channel by inserting hex head screw into threaded hole of slide block and tightening.



10 Pull Handle Kit (J)

The handle for your door may have been pre-installed. If so, disregard this step and continue installation.

Mount interior and exterior pull handles from pull handle kit (J) onto door panel using 6-32 x 1 1/4" pan head screws.

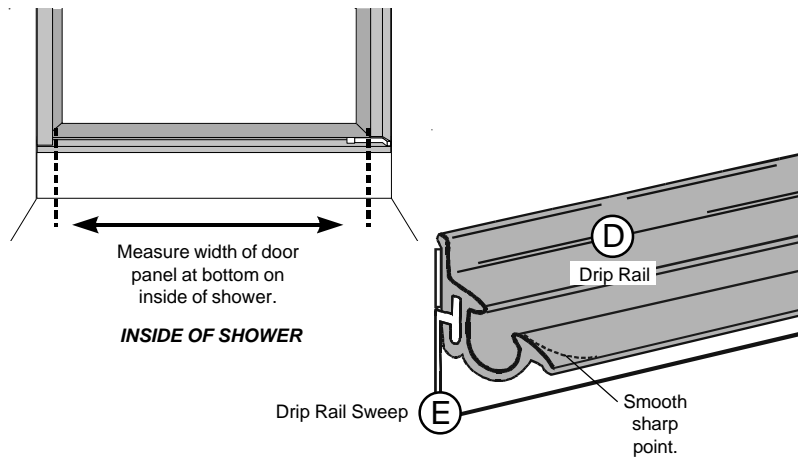


11a Drip Rail (D)

From inside shower, measure width of door panel at bottom. Drip rail (D) should be 1/2" shorter than door width. If longer, cut to proper length. Smooth cut end of drip rail fin to remove sharp point.

For one-piece vinyl drip rail (V667), continue with Step 11b.

Slide vinyl sweep (E) into slot on back of drip rail. Trim end even with edge of drip rail.



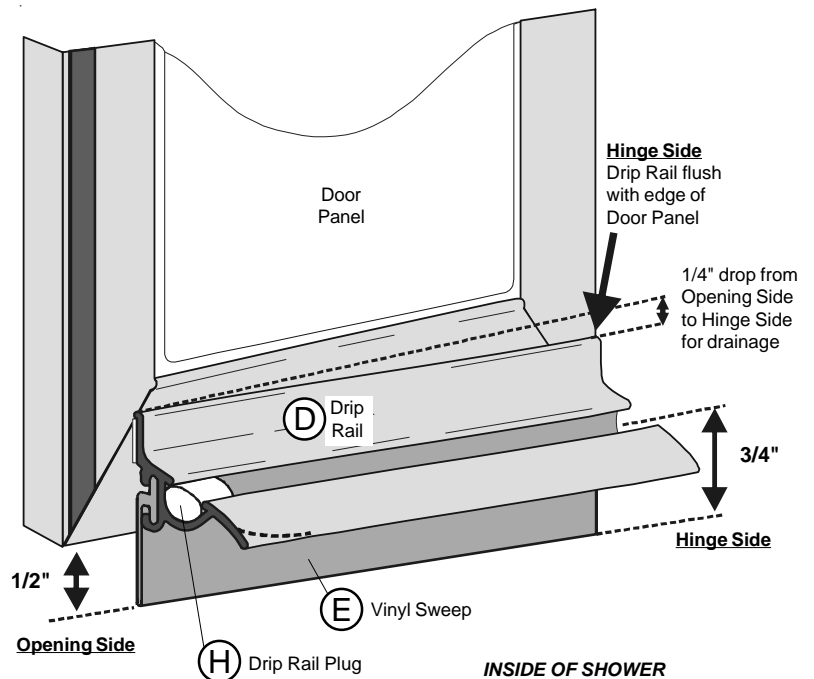
11b Drip Rail (D)

Clean bottom channel of door before mounting drip rail. After mounting, do not remove or reposition. Allow 72 hours curing time for maximum bond.

Position drip rail on inside surface of door panel as described below:

- **Side-to-side placement:** Edge of drip rail should be flush with edge of door panel on hinge side of door.
- **Vertical placement:** Vinyl sweep should extend 1/2" below bottom of door panel on **opening side**. Angle drip rail so that vinyl sweep extends 3/4" below bottom of door panel on **hinge side**. This will create a 1/4" slope from opening to hinge side for water drainage.

Mark position. Remove drip rail from door. Peel protective cover from tape, and press into place. Insert drip rail plug (H) into groove of drip rail on opening side of door.



Drip rail may be additionally secured using 8A x 3/8" truss head screws. When drilling in door panel, make certain drill does not hit glass. Glass is seated approximately 1/2" into channel.

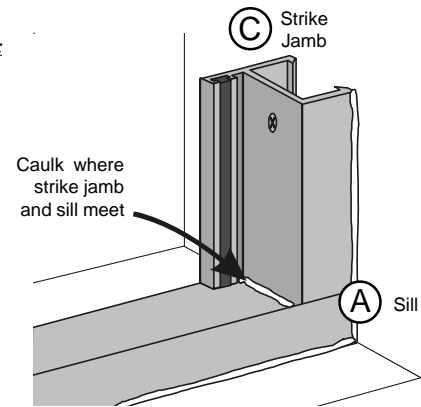
12 Caulking

The use of a caulking compound will assure a water-tight seal. Apply caulk along outside edge of enclosure where metal and shower meet, especially where sill meets threshold. If desired, caulk inside of enclosure where jambs meet walls.

On opening side of door, caulk joint where sill and strike jamb meet.

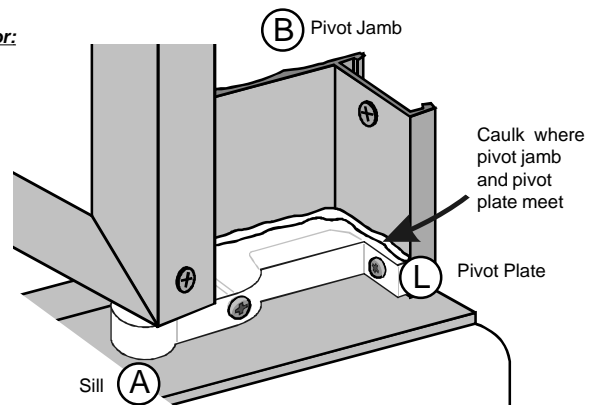
On pivot side of door, caulk where bottom pivot plate and pivot jamb meet.

Opening Side of Door:



OUTSIDE OF SHOWER

Pivot Side of Door:



INSIDE OF SHOWER