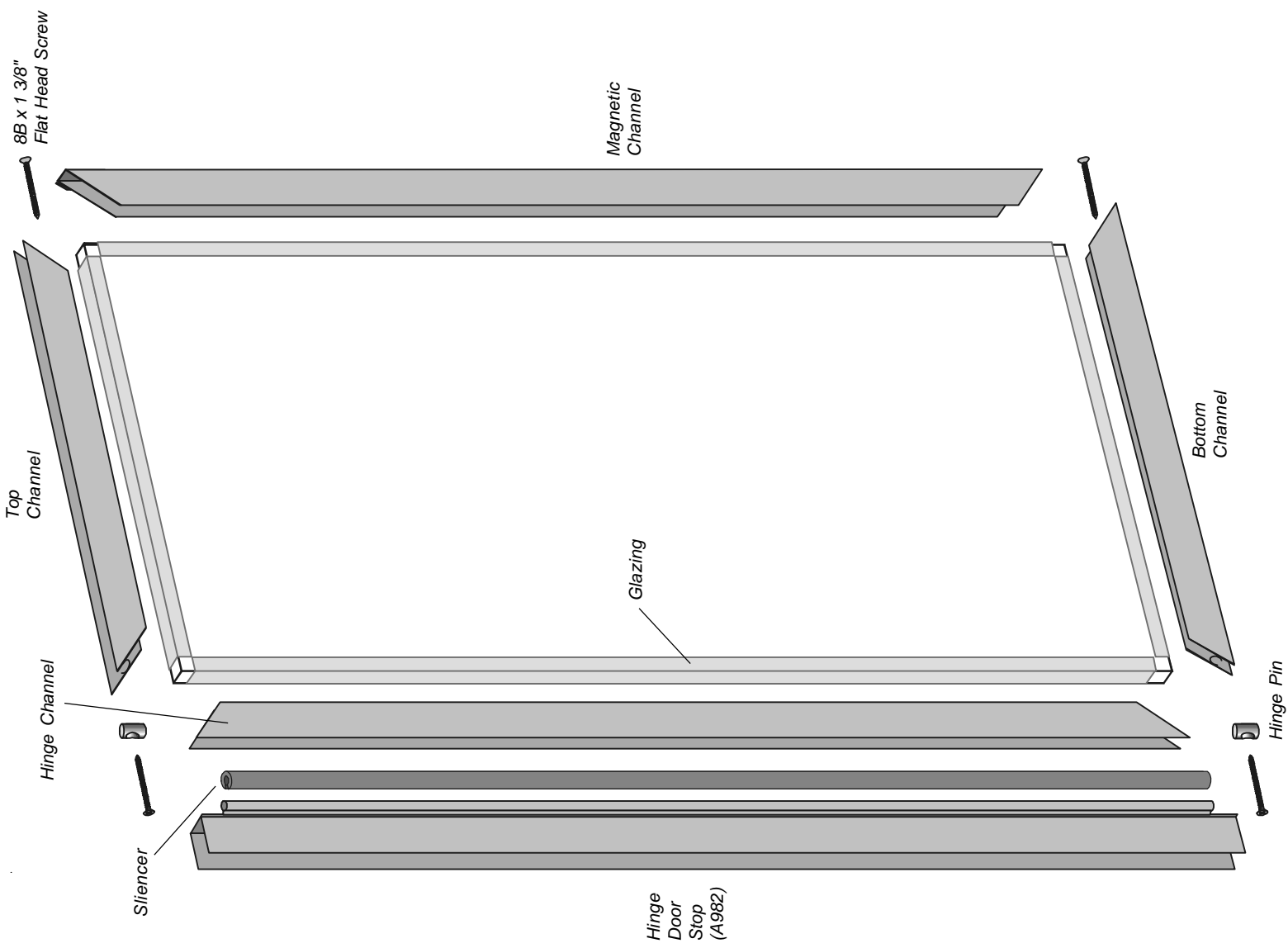


Fabrication & Hinge Pin Installation Instructions
KD SWING DOOR
-- Kwikstal Series using A982 Hinge Door Stop --



Kwikstal Swing Door using A982 Hinge Door Stop

Door glass should be completely wrapped with vinyl glazing before attaching metal channels.

1 Measurements

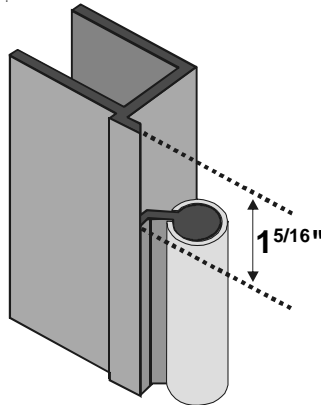
The following measurements are vital for fabricating your door correctly. Cut lengths for metal parts are determined by glass size. Cut each part to the length specified.

- Hinge Door Stop = Glass Height plus 2 5/8"
- Top & Bottom Channels = Glass Width plus 1 5/8"
- Hinge & Magnetic Side Channels = Glass Height plus 1 5/8"
- Drip Cap = Glass Width plus 1"
- Sill / Header Insert = Glass + 2"

2 Fabricating Hinge Door Stop (A982)

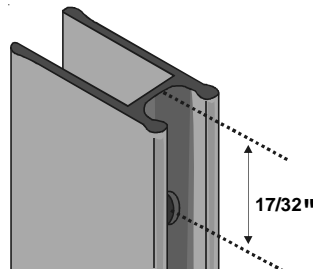
Slide silencer over hinge cylinder of door stop.

Cut away 1 5/16" of the hinge cylinder and arm from each end of the hinge door stop as shown, trimming silencer and cylinder together. After trimming, make certain silencer is not longer than cylinder. If ends are not flush, trim as needed.



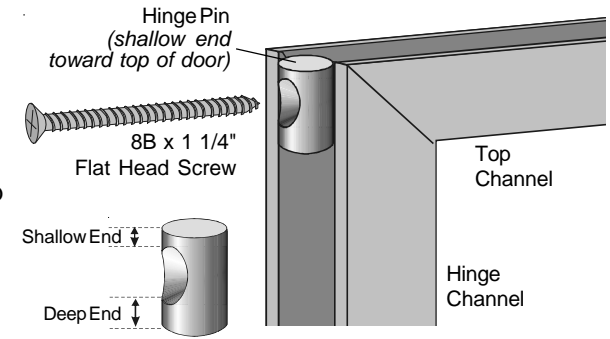
3 Fabricating Magnetic & Hinge Side Channels

Drill a 3/16" hole 17/32" from each end of both the hinge and magnetic side channels.



4 Installing Top Hinge Pin

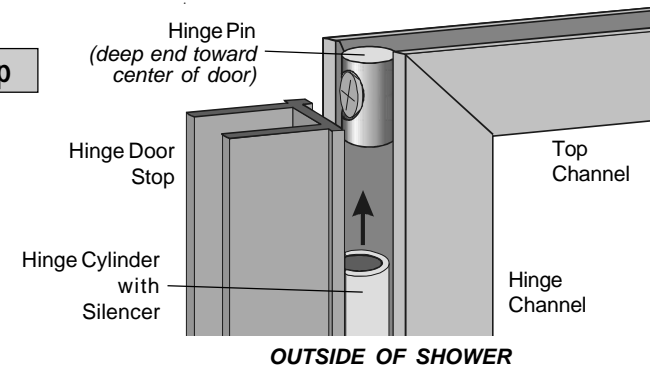
Hinge pins are designed with a vertically off-centered hole. Examine hinge pin to determine *deep end* and *shallow end*. Place hinge pin into rounded slot of hinge channel with deep end of pin toward middle of door.



Secure hinge channel to top channel through hinge pin using 8B x 1 1/4" flat head screw.

5 Attaching Hinge Door Stop

Join hinge door stop to hinge channel by sliding cylinder of hinge door stop (*with silencer in place*) into rounded slot of hinge channel. Cylinder should fit snug against hinge pin at top of hinge channel.

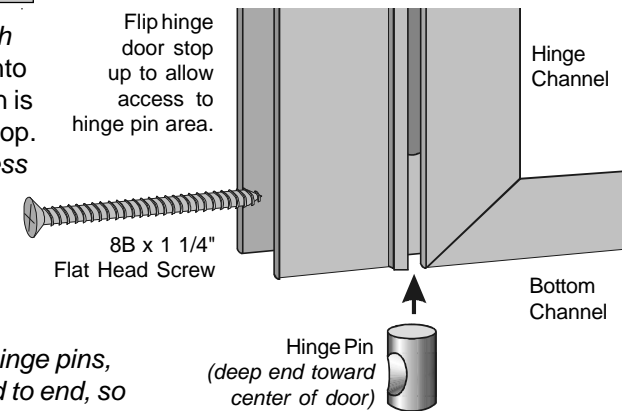


6 Installing Bottom Hinge Pin

At bottom of door, slide hinge pin (*with deep end toward center of door*) up into rounded slot of hinge channel until pin is snug against cylinder of hinge door stop. (*Flip hinge door stop up to allow access to hinge pin area.*)

Secure hinge channel to bottom channel through hinge pin using 8B x 1 1/4" flat head screw.

If hinge channel fits tightly between hinge pins, pins may be removed and flipped end to end, so that shallow end of pin is toward center of door.



7 Attaching Magnetic Channel

Secure magnetic channel to top and bottom channels on opposite side of panel using 8B x 1 1/4" flat head screws.