

6X0-GP

Double Swing Door



Technical Assistance is available Monday - Friday, 8:00 a.m. - 5:00 p.m. (Central Time)
1-877-723-7190 (Toll Free)

PARTS LIST

FRAME PACKAGE

KEY	DESCRIPTION	PART	QTY
A	SILL <i>(Use is optional)</i>	A001	1
B	JAMB	A083	2
C	HEADER	A070	1
D	HEADER INSERT	A716	2
E	MAGNETIC STOP	A954	1
F	VINYL DRIP SWEEP	V001	2
V	VINYL DOOR SEAL <i>(Pre-Installed)</i>	V678	6
W	H-SEAL SPLASH GUARD <i>(Use is optional)</i>	V002	1

HARDWARE BAG

G	8A X 1 1/4" PAN HEAD SCREW	H480	8
H	ANCHOR	H002	8
I	PUSH/PULL HANDLE KIT	HTG6	2
	PLASTIC WASHER		8
	EXTERIOR PULL HANDLE		2
	INTERIOR PULL HANDLE		2
	BUSHING		4
	HANDLE CONNECTOR SCREW		4
M	MAGNETIC CLOSURE KIT	HKMADCH	2
	MAGNETIC CLOSURE WITH MAGNET	HMAH / HG92	2
	VINYL	V208	2
	STRIKE PLATE	HA75	2
J	8A X 5/8" SELF-DRILLING PAN HEAD SCREW	H437	4
K	8A X 3/8" SELF-DRILLING PAN HEAD SCREW	H900	10

TOOLS NEEDED

1/8" Drill Bit
 (3/16" Masonry Bit for
 Ceramic Tile)
 Pencil
 Measuring Tape
 Hacksaw
 Phillips Screw Driver
 Silicone Caulk
 File
 Drill
 Level
 Masking Tape
 Scissors

Before starting installation of your new enclosure, carefully read all instructions and lay out parts to become familiar with their identity. Installation is a manageable task for an experienced "Do-It-Yourselfer" and a helper.

Frameless patch-hinge doors, by nature of their design, are not completely watertight.

USE OF ANCHORS

Anchors are furnished with every enclosure. However, the use of anchors is not recommended when attaching your enclosure to a fiberglass unit or wall surrounds with board reinforced mounting areas. Mounting holes in this case should be drilled with an 1/8" drill bit.

Mounting this unit on tile requires the use of anchors. Special care must be taken not to crack the tile. Before drilling holes in the tile, lightly chip glazed surface of tile at the desired locations. Drill holes using a 3/16" masonry drill bit. Insert anchors into the holes making certain that ring on large end of anchor meets the surface of the tile.

CAUTION

Do not attempt to cut mirrors or glass used in this enclosure. Tempered glass and mirrors will shatter if cut.

Care should be taken when standing raw glass on its edge. Glass may shatter if corners are bumped or edge is rested on a rough floor surface. Cardboard, wood blocks, or a similar surface is a safe resting surface for glass.

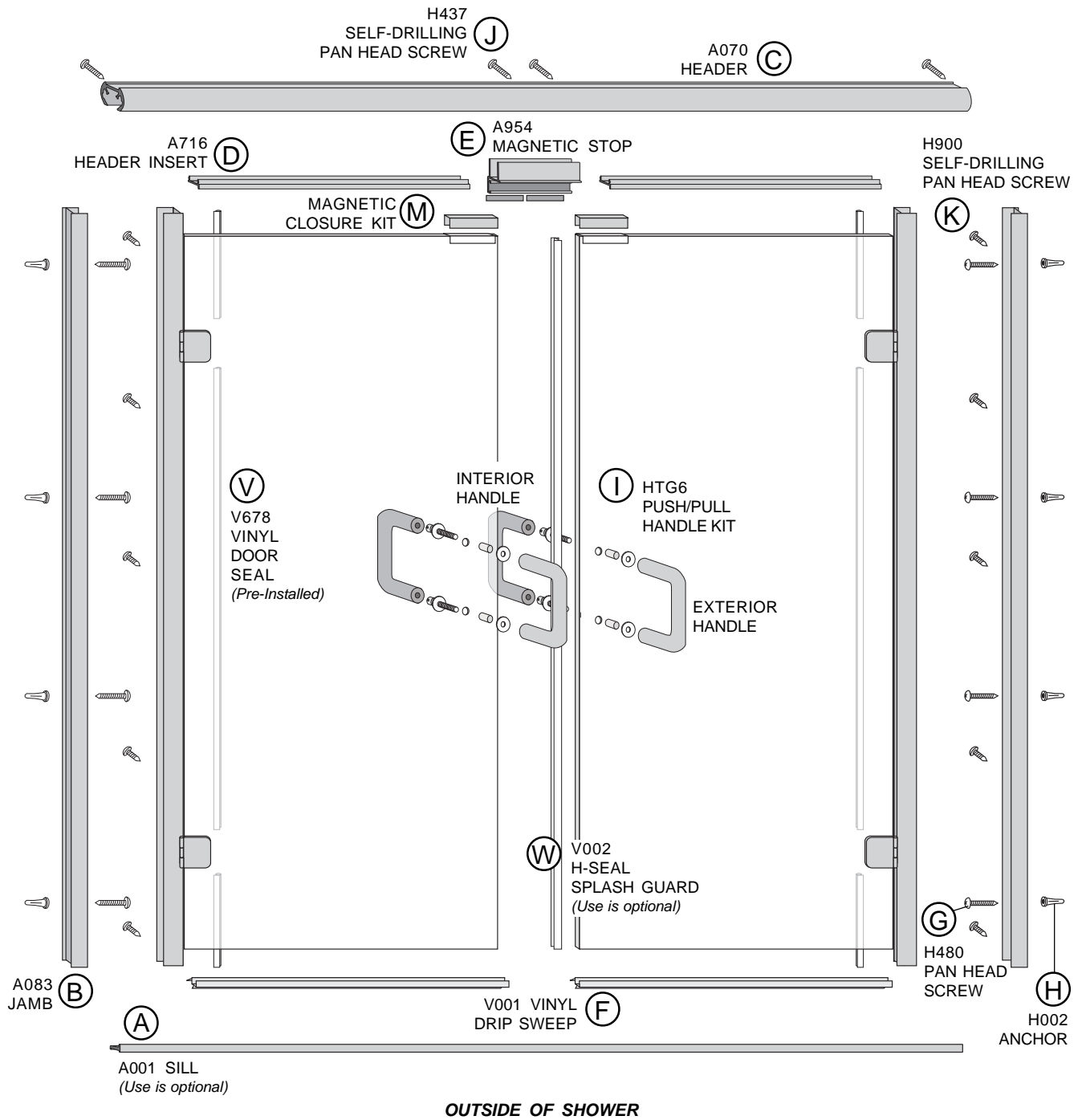
CLEANING

Cleaning and care of your enclosure is important to its lasting beauty. A nonabrasive liquid cleaner is recommended.

Never use scouring powder or pads.

SEALING

Seal unit by caulking along outside of enclosure where metal and bath meet, especially where sill meets threshold. If desired, caulk inside of enclosure where jambs meet walls.



Care should be taken when standing raw glass on its edge. Glass may shatter if corners are bumped or edge is rested on a rough floor surface. Cardboard, wood blocks, or a similar surface is a safe resting surface for glass.

G **8A x 1 1/4" Pan Head Screw**
 (H480 - Used for securing Jamb to walls)

K **8A x 3/8 Self-Drilling Pan Head Screw**
 (H900 - Used for securing Hinge Rails to Jamb)

J **8A x 5/8" Self-Drilling Pan Head Screw**
 (H437 - Used for securing Magnetic Stop to Header, Header to Jamb)

1**Sill (A) -- (Use of sill is optional)**

Due to the manufacturing process, there may be rack marks present at one end of your sill and header. Sill and header must be trimmed to fit your individual opening. When cutting sill and header, make certain to trim off end with rack marks.

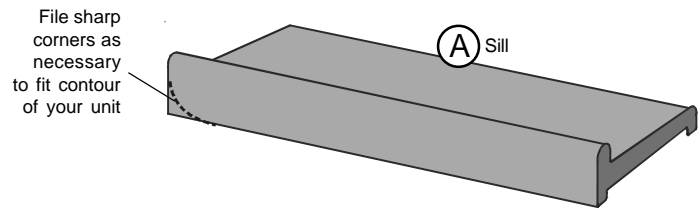
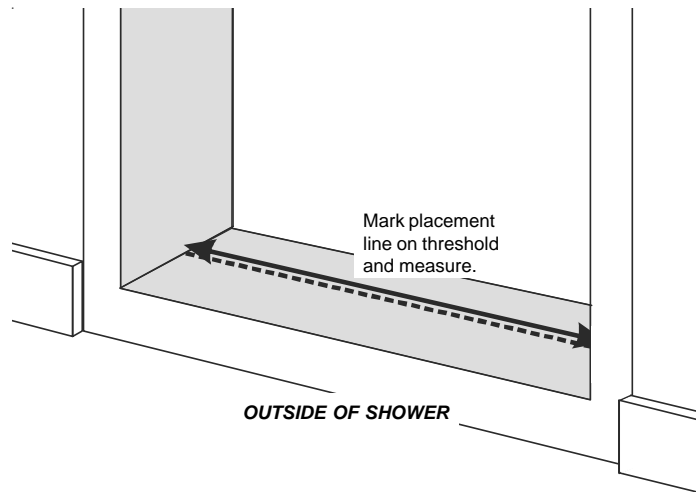
Before beginning installation, determine placement of door on threshold. Normally door is centered on flat surface. However, placement may be adjusted to front or back as desired and to consider grout lines. Some parts used later in installation (example, header) are wider than the sill. Keep this in mind when determining sill placement to avoid wider parts overhanging inside or outside edge of shower.

Mark placement line on threshold.

Use of **sill (A)** is optional. For handicap applications, consult local building codes.

If using sill, measure opening at threshold and cut sill to that measurement. If necessary, file sharp corners of sill to fit rounded corners of your unit.

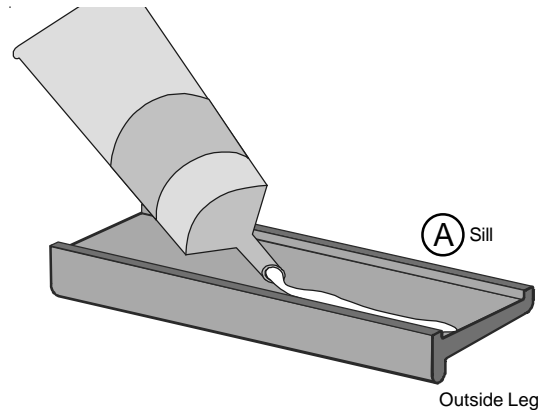
If not using sill, proceed to Step 3.

**2****Sill (A) -- (Use of sill is optional)**

With sill in upside down position, apply a 1/4" bead of caulk along bottom of sill, close to outside leg.

Position sill on threshold straddling placement line, with tall edge of sill toward outside of shower. Tape sill to threshold with masking tape to hold in place while positioning jambs.

Clean caulk that squeezes out from under sill with a wooden wedge, plastic scraper, or popsicle stick.

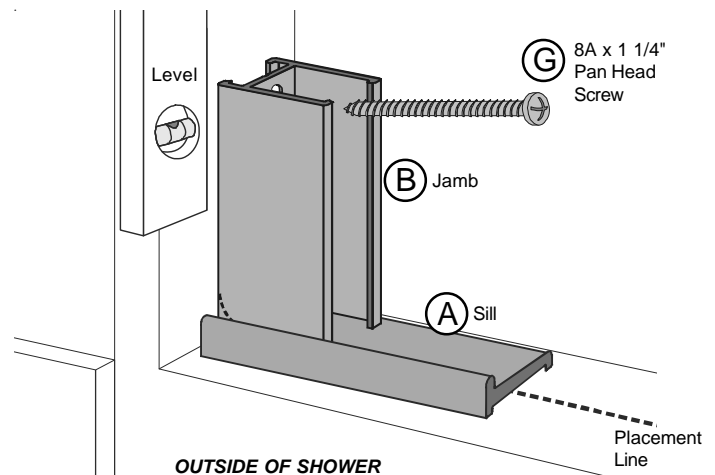
**3****Jambs (B)**

When anchors (H) are used holes should be drilled using 3/16" drill bit.

Place **jambs (B)** on sill with short legs against wall and bottom of jambs resting on sill. If necessary, file sharp corners on back of jambs to fit contour of your unit. If not using sill, position jambs on threshold straddling placement line.

Align jambs vertically using a level. Mark wall through prepunched holes. Remove jambs and drill where marked using 1/8" drill bit.

Reposition jambs on wall and secure using **8A x 1 1/4" pan head screws (G)**.



4

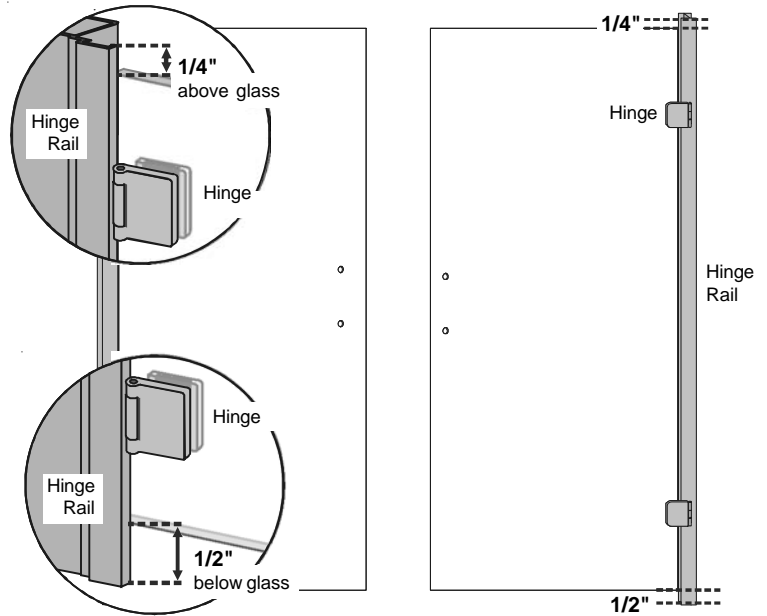
Door Panel Orientation

Door panels are handed and must be installed accordingly. Determine right and left panels by positioning them (*on work table or against wall*) as they will be once installed. Glass should swing out from shower.

Examine hinge rails attached to glass. At top of panel, hinge rail should extend 1/4" above edge of glass; at bottom of panel, hinge rail should extend 1/2" below edge of glass.

Swap and flip panels as needed for correct positioning.

Vinyl door seal (V) is pre-installed loosely at top and bottom of hinge rail. Verify all seals are in place before installing door panels.



5

Handles (I)

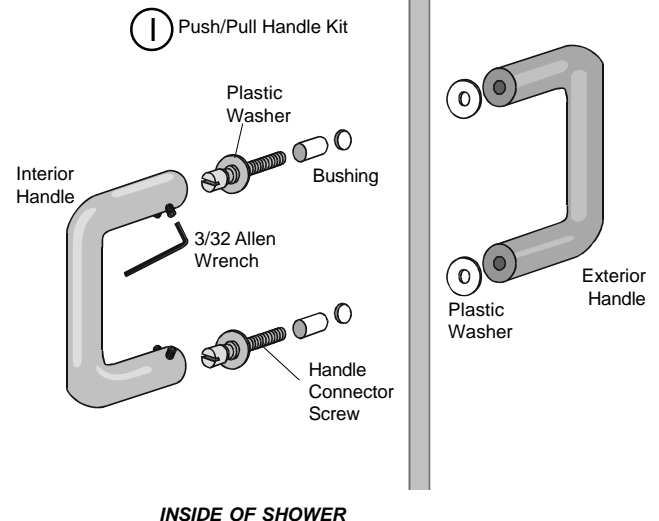
Handles will be mounted on glass before hanging door panels.

Push / Pull handle kit (I) comes with parts assembled in the order they will be once installed on glass. Disassemble parts.

Place **bushings** in holes in glass. Trim as needed so that bushings are flush with surface of glass. Place one **plastic washer** on each **connector screw** and insert screws (from inside surface of glass) through bushings in glass.

Place second plastic washer on exposed end of connector screws on outside surface of glass. Holding **exterior handle** in place on outside surface of glass, tighten connector screw to secure handle.

On inside surface of glass, slip **interior handle** over connector screws and tighten with **3/32" allen wrench**. Repeat for remaining handle.



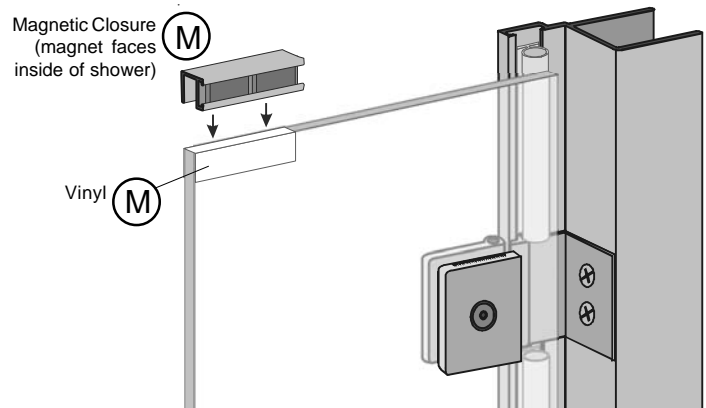
6

Magnetic Closure (M)

Magnetic closure will be mounted on glass before hanging door panels. Remove strike plates from magnets for use in Step 7.

At top "opening" corner of each glass panel, wrap vinyl over glass, positioning so that edge of vinyl is flush with side edge of glass.

Place magnetic closure over vinyl, making certain that magnet faces inside of shower and edge of closure is flush with edge of glass. Fit of closure on glass is a pressure fit application and may require the use of a rubber hammer or leather mallet. Avoid hard surface tools which may damage surface of closure or shatter glass. Carefully tap closure into place over vinyl, until inside top of closure gently touches vinyl.

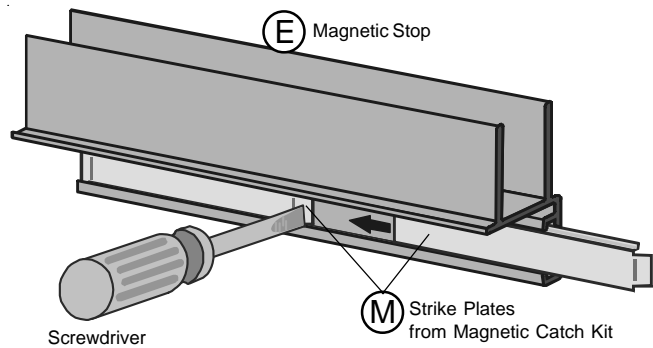


7

Magnetic Stop (E)

Slide **strike plates** (from Step 6) into slot of **magnetic stop** (E).

Once strike plates are in position, press flaps at each end of strike plate with flat screwdriver to secure placement in slot.



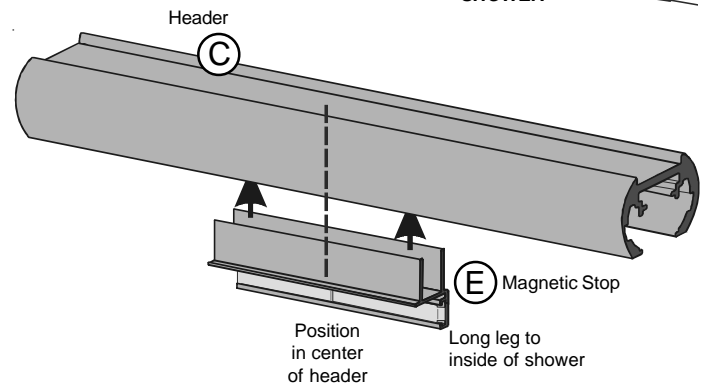
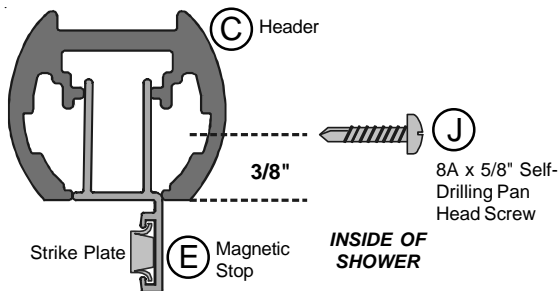
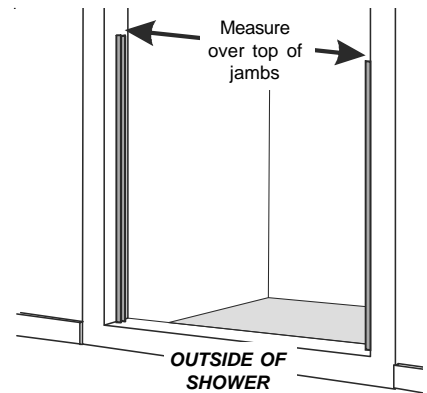
8

Header (C) / Magnetic Stop (E)

Measure from wall to wall over top of both jambs and cut **header** (C) to that measurement.

Locate center of header. Position magnetic stop in header with center of stop aligned with center of header. Drill, from inside of shower, two evenly spaced holes through header into magnetic stop. Vertical position for holes should be $3/8$ " up from bottom edge of header. Secure using **8A x 5/8" self-drilling pan head screws** (J).

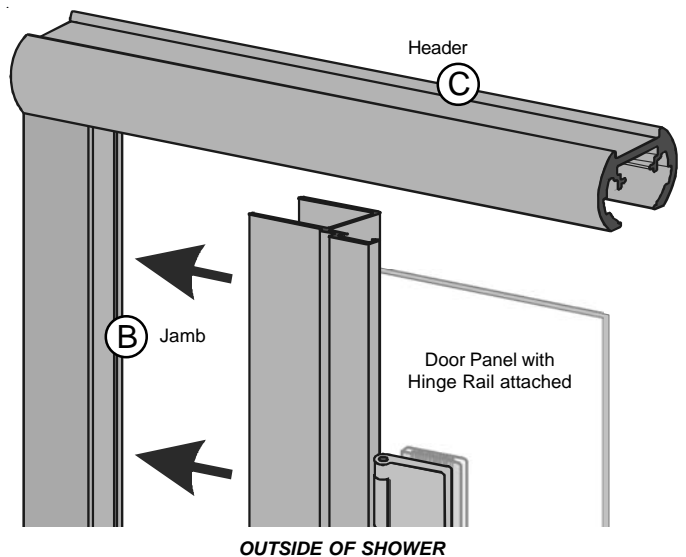
Position header over jambs so that long leg of magnetic stop is toward inside of shower. Lower header into place.



9

Door Panels / Hinge Rails

Position one door panel on unit. Hinge rail (attached to door panel) should rest on sill at bottom of unit and fit over wall jamb on the side. Panel will need to be held in place until header insert is installed.

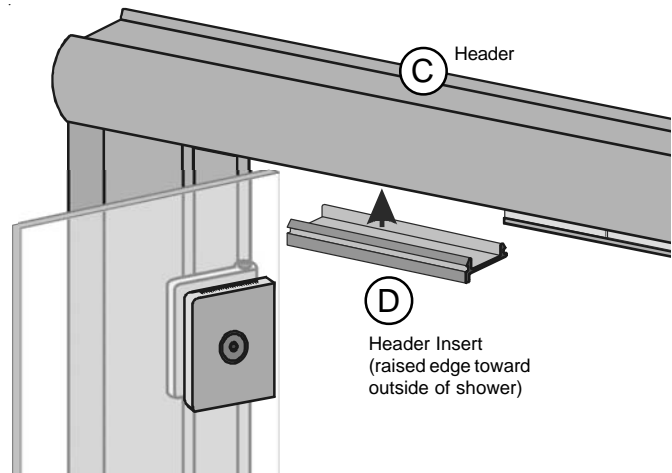


10

Header Inserts (D)

While holding panel in place, position header insert with raised edge toward outside of shower. Snap insert into open gap of header between hinge rail and magnetic stop. Once in place, insert will set proper position of panel and hold panel in place until it is secured later in installation.

Repeat for opposite panel.



OUTSIDE OF SHOWER

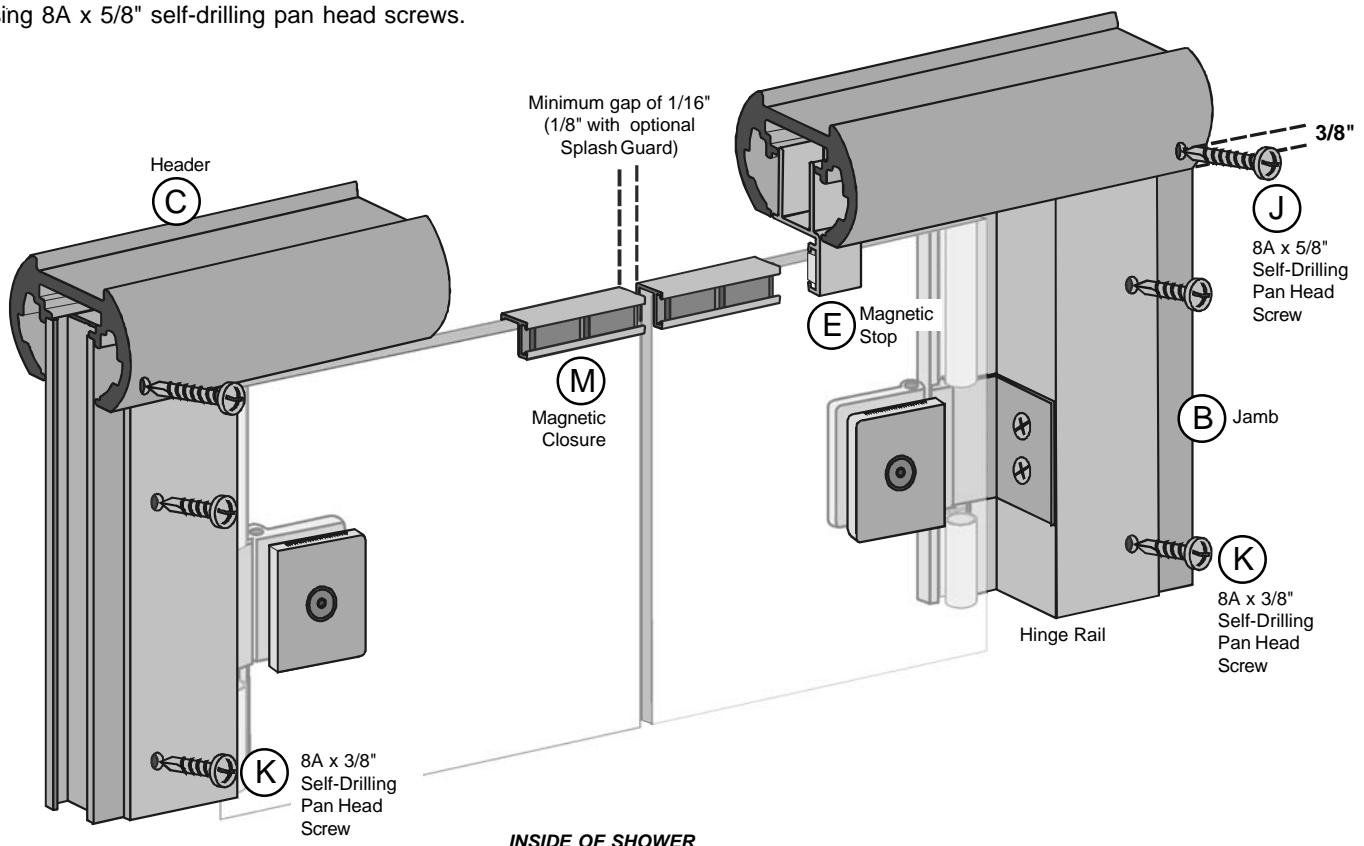
11

Alignment

Check alignment of door in opening. Make certain that: **1)** doors close evenly; **2)** there is an even reveal of space across top of door glass; and that **3)** center gap between right and left panels is set for smooth functioning. Edges of door glass must not touch when doors close. Minimum gap is 1/16" (1/8" if using H-Seal Splash Guard (W)). See step 13). A popsicle stick or similar wedge may be used to help set gap between door panels.

Once desired alignment of panels has been achieved, from inside of shower, drill five evenly spaced holes through hinge rail into jamb. Secure using **8A x 3/8" self-drilling pan head screws (K)**. Repeat for remaining panel.

Secure header to jambs by drilling, from inside shower, 3/8" from bottom edge of header, through header into jambs. Secure using **8A x 5/8" self-drilling pan head screws (J)**.



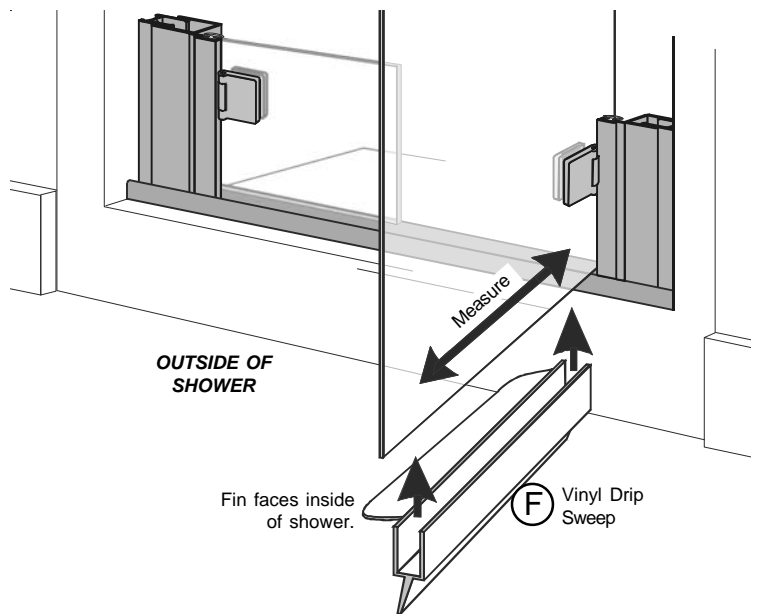
INSIDE OF SHOWER

12

Vinyl Drip Sweep (F)

Measure width of door glass at bottom and cut **vinyl drip sweep (F)** to that measurement. Cut only from hinge end of drip sweep. Smooth cut end of sweep fin to remove sharp point.

Press drip sweep onto bottom edge of glass with drip sweep fin facing inside of shower. Edges of drip sweep should be flush with edges of glass.



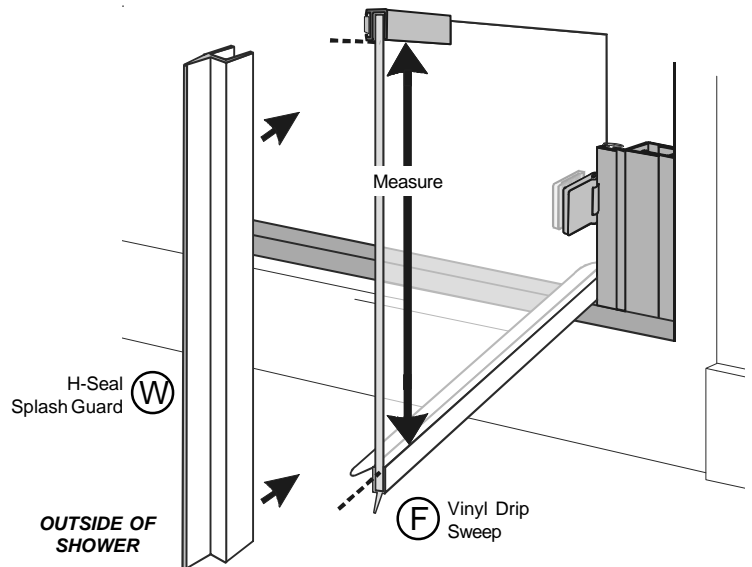
13

Splash Guard (W) *(Use of Splash Guard is optional)*

Included in your unit is a vinyl H-seal that fits over the edge of glass and serves as a splash guard between panels when door is closed. Use of the splash guard is optional.

If you choose to use the splash guard, determine the primary panel (first opening), and the secondary panel (second opening). Primary panel is normally the panel closest to the showerhead.

The H-seal will be installed on the secondary panel. Measure distance on panel between magnetic stop and drip sweep. Cut H-seal to that measurement and slide over panel edge.



14

Caulking

Seal unit by caulking along outside of enclosure where metal and bath meet, especially where sill meets threshold.

If desired, caulk inside of enclosure where jambs meet walls.

