

OUTSIDE OF SHOWER

FRAME PACKAGE PARTS

KEY	DESCRIPTION	PART	QTY
A	SILL (WITH WEEP HOLES)	A782	1
B	JAMB	A083	4
C	HEADER	A781	1
D	HEADER / SILL INSERT	A716	2
E	MAGNETIC DOOR STOP	A989	1
F	MAGNETIC STRIP *	H170	1
G	DRIP RAIL ASSEMBLY	A710	1
	DRIP RAIL TAPE *	HT52	1
	DRIP RAIL SWEEP *	VS91	1
Y	HORIZONTAL VINYL GLAZING	VK188H / VK250H	8
Z	VERTICAL VINYL GLAZING	VK188V / VK250V	8

HARDWARE PARTS

P	DRIP RAIL PLUG	HA28	1
L	8A X 1 1/4 PAN HEAD SCREW	H480	6
N	8A X 3/8 PAN HEAD S.DRILLING SCREW	H900	14
H	ANCHORS	H002	6
M	PULL HANDLE KIT +	HSAD	
	6-32 X 1 1/4 PAN HEAD SCREW	H485	2
	EXTERIOR PULL HANDLE	HA31	1
	INTERIOR PULL HANDLE	HA32	1
X	SETTING BLOCK	HB5195	4

* Pre-Installed

+ May be Pre-Installed

TOOLS NEEDED

- 1/8" Drill Bit
- 3/16" Drill Bit
- (3/16" Masonry Bit for Ceramic Tile)
- Scratch Awl
- Measuring Tape
- Hacksaw
- Phillips Screw Driver
- Caulking Compound
- File
- Drill
- Level
- Masking Tape

Before starting installation of your new enclosure, carefully read all instructions and lay out parts to become familiar with their identity.

USE OF ANCHORS • Anchors are furnished with every enclosure. However, the use of anchors is not recommended when attaching your enclosure to a fiberglass unit or wall surrounds with board reinforced mounting areas. Mounting holes in this case should be drilled with an 1/8" drill bit.

Mounting this unit on tile requires the use of anchors. Special care must be taken not to crack the tile. Before drilling holes in the tile, lightly chip glazed surface of tile at the desired locations. Drill holes using a 3/16" masonry drill bit. Insert anchors into the holes making certain that ring on large end of anchor meets the surface of the tile.

CAUTION • Do not attempt to cut mirrors or glass used in this enclosure. Tempered glass and mirror will shatter if cut. Care should be taken when standing raw glass on its edge. Glass may shatter if corners are bumped or edge is rested on a rough floor surface. Cardboard, wood blocks (provided with hardware), or a similar surface is a safe resting surface for glass.

CLEANING • Cleaning and care of your enclosure is important to its lasting beauty. A nonabrasive liquid cleaner is recommended. *Never use scouring powder or pads.*

SEALING • Seal unit by caulking along outside of enclosure where metal and bath meet, especially where sill meets threshold. If desired, caulk inside of enclosure where jambs meet walls.

Kwikstal doors are designed to be reversible and may be installed to hinge-left or hinge-right. The following instructions show a hinge-right door.

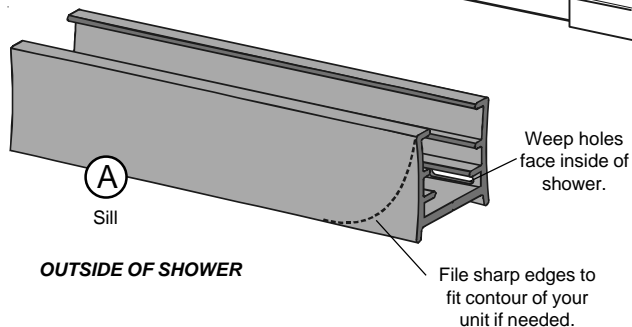
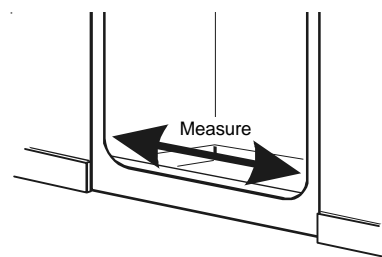
1 Sill (A)

Due to the manufacturing process, there may be rack marks present at one end of your sill. Sill must be trimmed to fit your individual opening. When cutting sill, make certain to trim off end with rack marks.

Header and sill are identical except that the sill has weep holes on inside surface. Identify sill with weep holes.

Determine placement of **sill (A)** on shower threshold. Normally door is installed with sill centered on the flat surface of threshold.

Measure opening at threshold and cut sill to that measurement. If necessary, file sharp edges to fit rounded corners of your unit.



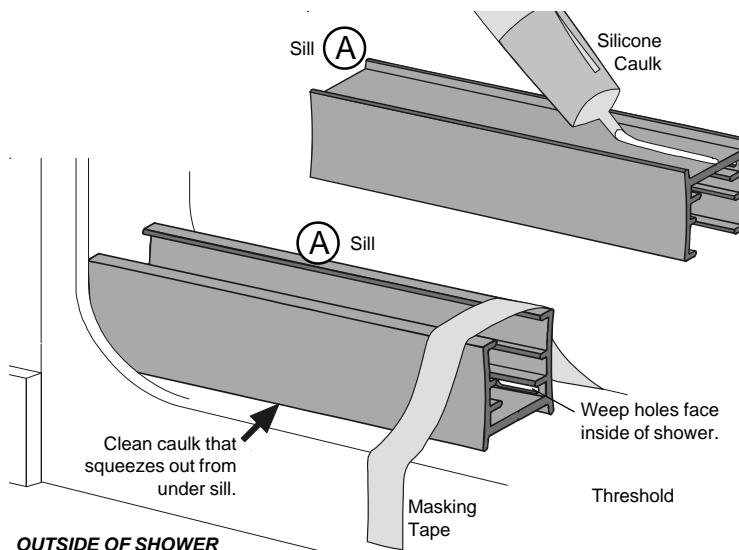
OUTSIDE OF SHOWER

2 Sill (A)

With sill in upside down position, apply a 1/4" bead of caulk along bottom of sill.

Position sill on threshold with weep holes facing inside of shower. Tape to threshold with masking tape to hold in place while positioning jambs.

Clean caulk that squeezes out from under sill with a wooden wedge, plastic scraper, or popsicle stick.



OUTSIDE OF SHOWER

3

Jambs (B)

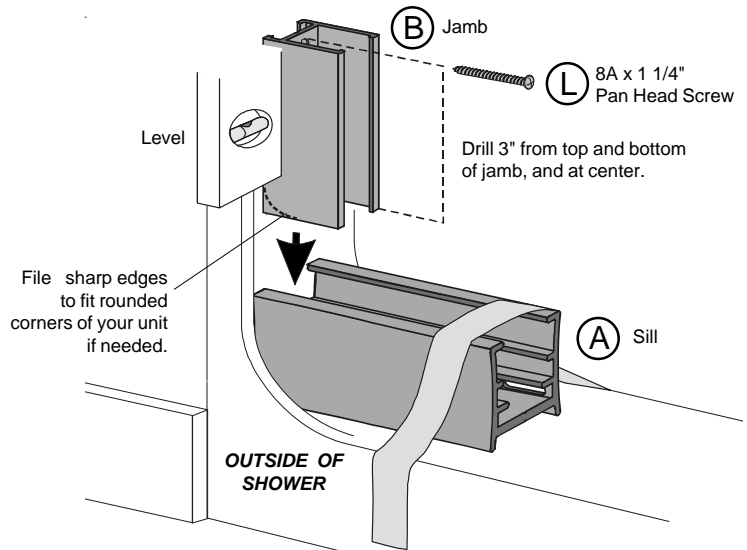
When anchors (H) are used, holes should be drilled using 3/16" drill bit. (Use masonry bit for tile.)

Position **jamb (B)** on sill with short legs against wall and bottom of jamb inside sill. If necessary, file sharp edges on bottom of jamb to fit rounded corners of your unit.

Align jamb vertically using a level. Drill mounting holes through jamb into wall using 1/8" drill bit. Mounting holes are normally located 3" from top and bottom of jamb and at center.

Secure jamb to wall using **8A x 1 1/4" pan head screws (L)**.

Repeat for opposite side.



4

Setting Blocks (X) / Side Panels

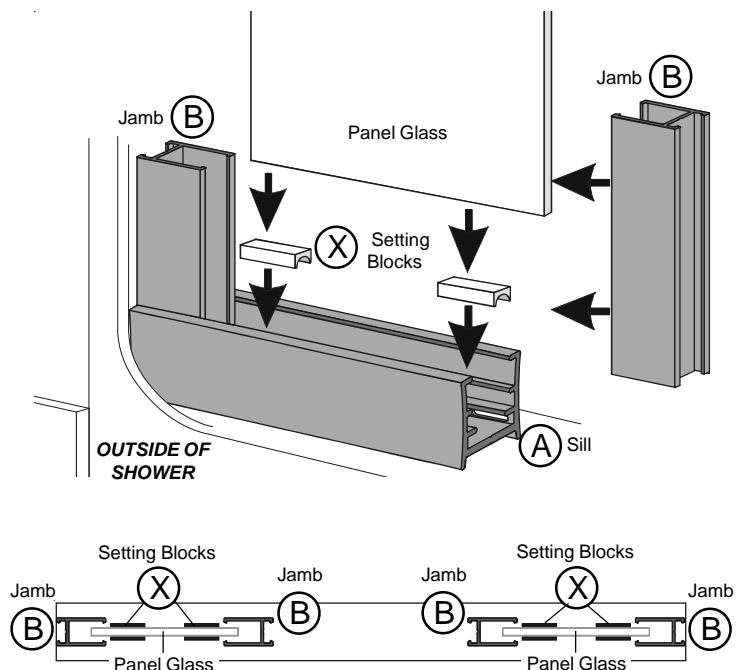
The following instructions call for glass to seat in verticals 3/8". This distance may be adjusted from 1/4" - 1/2" to accommodate out-of-plumb walls and allow for a better fit of parts.

Setting blocks (X) are used in sill to provide a resting surface for panel glass. Place one setting block in sill at edge of wall jamb. A second setting block should be placed in sill to support other corner of panel glass once glass is placed in unit. Measure panel glass and position remaining setting blocks accordingly.

Place panel glass in wall jamb with bottom of glass resting on setting blocks in sill and side of glass seated in wall jamb 3/8".

Place remaining **jamb (panel jamb)** over panel glass with long legs of jamb fitting over edge of glass 3/8", and bottom of jamb seated in sill.

Repeat for opposite side.

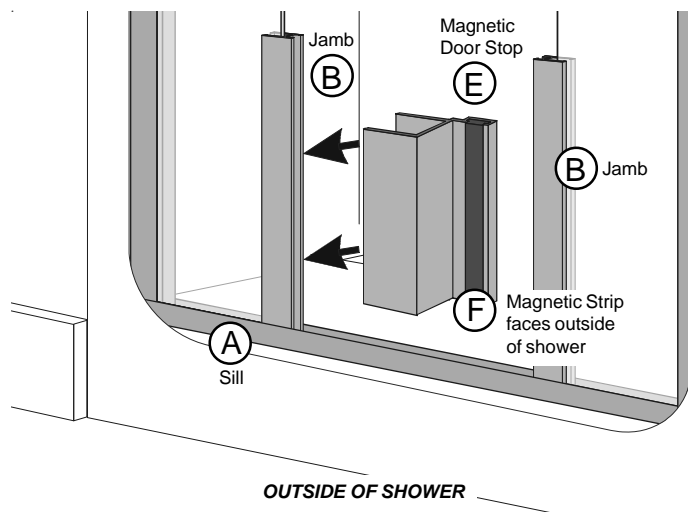
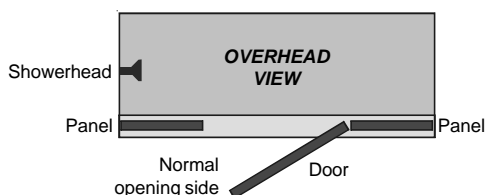


5

Jamb (B) / Magnetic Door Stop (E)

Decide which will be the opening side of your door. Door is normally installed to open on the side of unit nearest to showerhead. **Magnetic door stop (E)** will be installed on the opening side of door.

Slide magnetic door stop over jamb, with bottom of door stop seated in sill and **magnetic strip (F)** facing outside of shower.

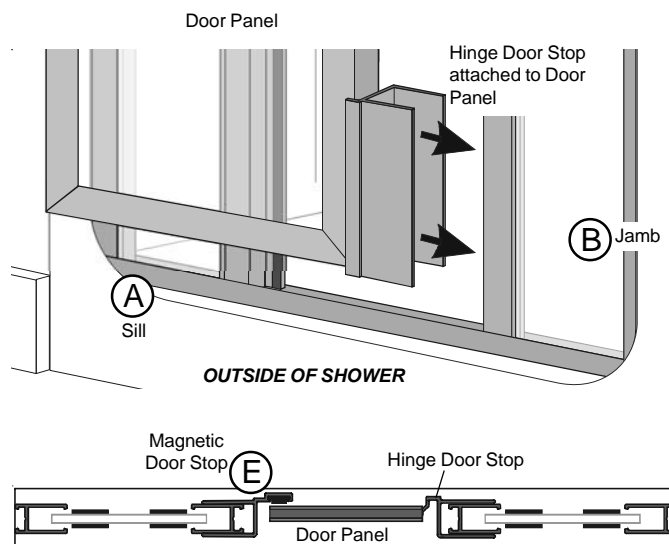


6

Hinge Door Stop and Door Panel

If magnetic strips do not seal tightly, reverse polarity by removing strip from door stop and replacing it with the previous top end to the bottom end.

On opposite side of unit, place **hinge door stop** (with door panel attached) over wall jamb with bottom of door stop seated in sill. For safety purposes, door should be installed to open out from shower.

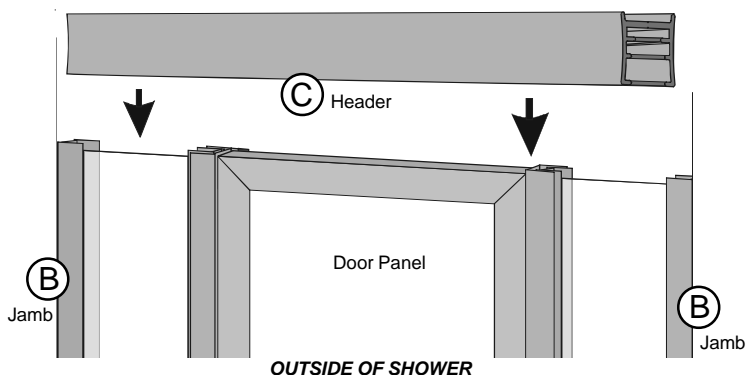


7

Header (C)

Measure from wall to wall (over the top of both jambs) and cut **header (C)** to that measurement.

Lower header into place over jambs.

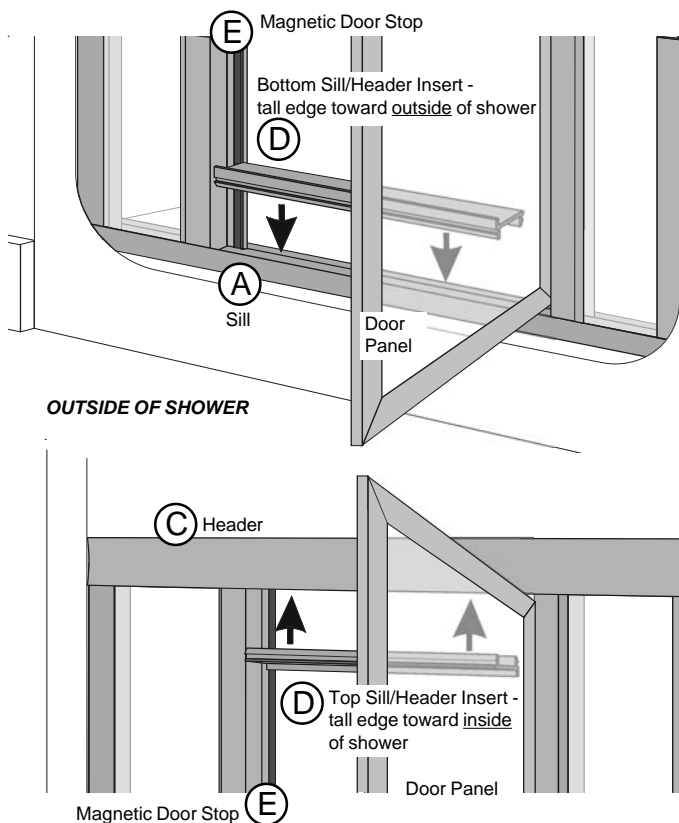


8

Sill / Header Inserts (D)

At bottom of door, snap **sill / header insert (D)** into sill with tall edge of insert toward outside of shower.

At top of door, snap **sill / header insert (D)** into header with tall edge of insert toward inside of shower.

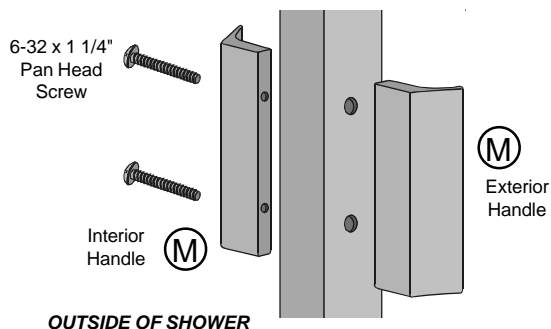


9

Handle (M)

Handle for your door may be pre-installed. If so, disregard this step and continue installation.

Mount **pull handles**, from **pull handle kit (M)**, using **6-32 x 1 1/4" pan head screws** provided. Screw heads should be on the inside of shower.



10

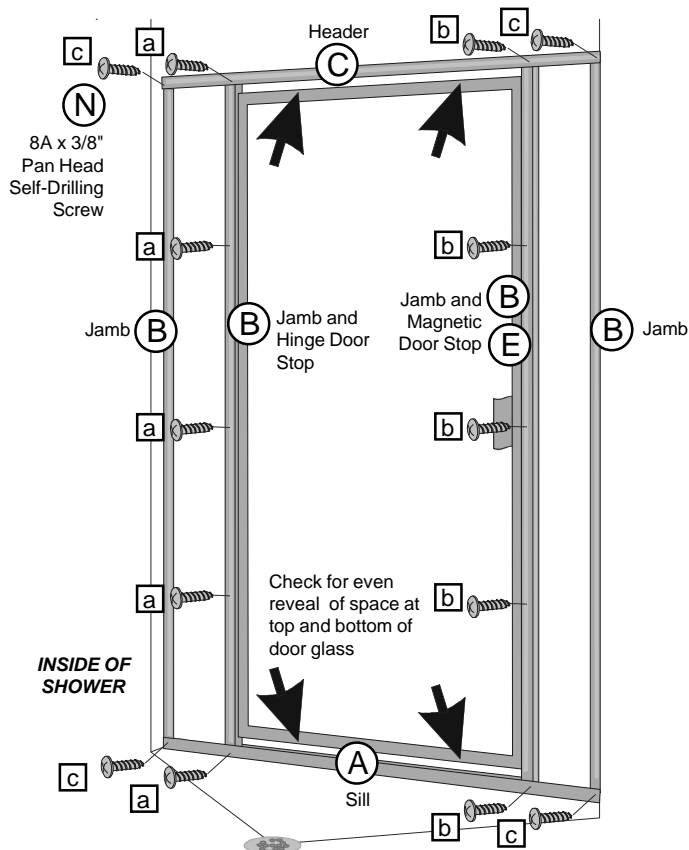
Aligning / Securing Verticals

When drilling or screwing into metal, make certain that glass is clear from area. Do not hit glass with drill bit.

Check alignment of door, panel glass, panel jamb, and magnetic door stop. Adjust as needed so that door closes evenly, there is an even reveal of space at top and bottom of door, and magnetic slide aligns with handle magnet.

Once desired alignment of parts has been achieved, secure parts together from inside of shower using **8A x 3/8" pan head self-drilling screws (N)**.

- a** Attach hinge door stop to panel jamb in five locations - at top of unit, securing header, jamb and door stop together; at bottom of unit, securing sill, jamb and door stop together; and at three points evenly spaced between top and bottom.
- b** Attach magnetic door stop to panel jamb in five locations - at top, securing header, magnetic door stop and panel jamb together; at bottom, securing sill, magnetic door stop and panel jamb together; and at three points evenly spaced between top and bottom.
- c** Attach wall jambs to header at top and sill at bottom.



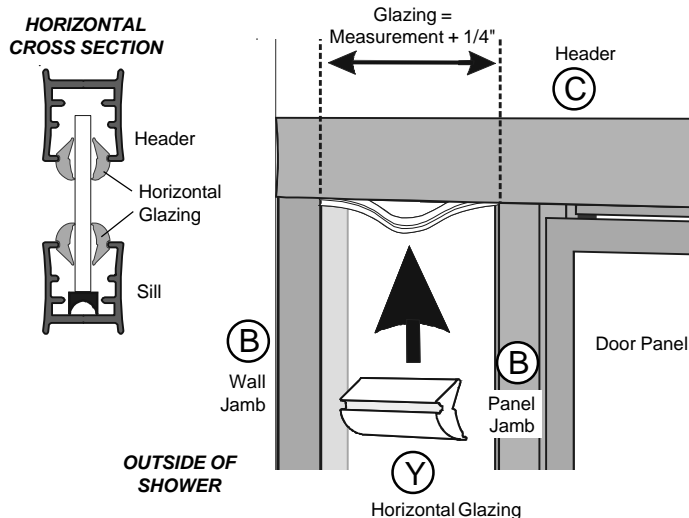
11

Horizontal Glazing (Y)

Vinyl glazing is used to cushion and secure glass in metal. There are two types of vinyl glazing included in your unit - **horizontal (Y)** and **vertical (Z)**. The horizontal glazing is thicker and will be installed first. Water may be used to lubricate glazing and make installation easier. Glazing is designed to fit tightly. A wooden block may be used to press vinyl into place.

Measure width of panel glass from wall jamb to panel jamb and add 1/4". Cut 2 pieces of **horizontal glazing** to this measurement, one for inside and one for outside of panel. Press ends of glazing into place first, fitting glazing into gap between metal and glass. Work toward center, pressing glazing into place.

Install glazing for both side panels working from outside to inside; bottom to top.



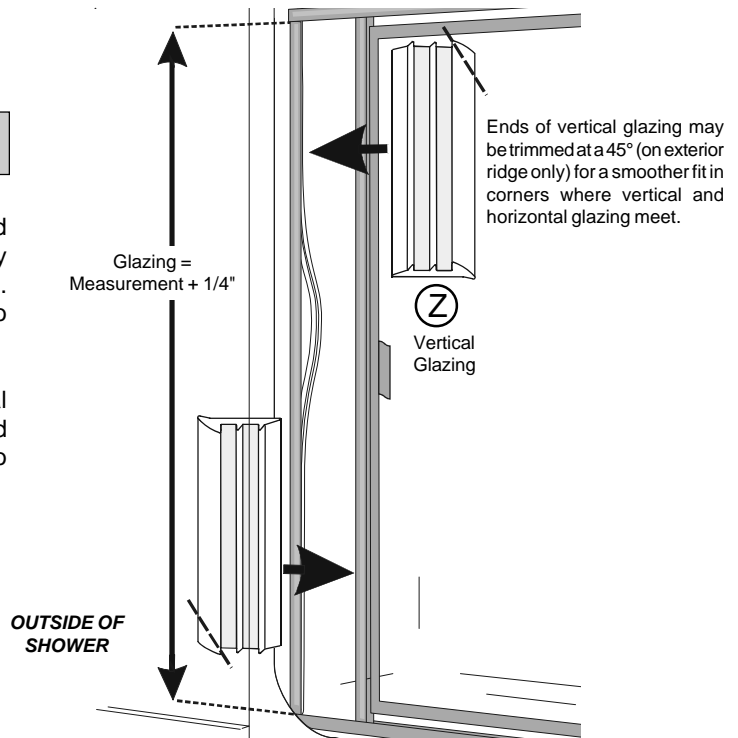
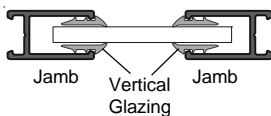
12

Vertical Glazing (Z)

Measure length of panel glass from header to sill and add 1/4". Cut two pieces of **vertical glazing (Z)** and apply on inside and outside of panel between glass and jambs. Install glazing for both side panels working from outside to inside of panel.

For a smoother fit in corners where horizontal and vertical glazings meet, the ends of vertical glazing may be trimmed at a 45° angle. Trim only the exterior ridge of glazing. Do not trim glazing that fits inside metal once installed.

VERTICAL CROSS SECTION



13

Drip Rail (G)

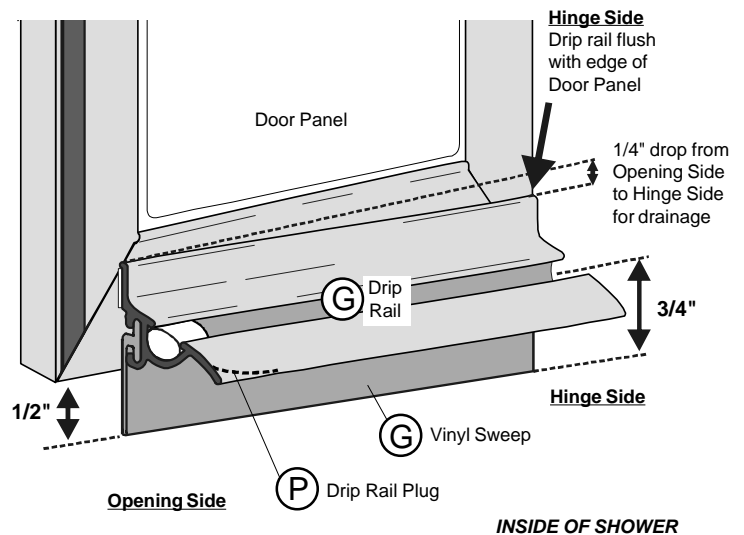
Clean bottom channel of door before mounting drip rail. After mounting, do not remove or reposition. Allow 72 hours curing time for maximum bond.

From inside shower, measure width of door panel at bottom. **Drip rail (G)** should be 1/2" shorter than door panel width. If longer, cut to proper length. Slide **vinyl sweep (G)** into slot on back of drip rail. Trim ends even with edges of drip rail. Smooth cut end of drip cap fin with a file to remove sharp point.

Position drip rail on inside surface of door panel as described below:

- **Side-to-side placement:** Edge of drip rail should be flush with edge of door panel on hinge side of door.
- **Vertical placement:** Vinyl sweep should extend 1/2" below bottom of door panel on **opening side**. Angle drip rail so that vinyl sweep extends 3/4" below bottom of door panel on **hinge side**. This will create an 1/4" slope from opening to hinge side for water drainage.

Mark position. Remove drip rail from door. Peel protective cover from tape, and press into place. Insert **drip rail plug (P)** into groove of drip rail on opening side of door.



Drip rail may be additionally secured using 8A x 3/8" truss head screws. When drilling in door panel, make certain drill does not hit glass. Glass is seated approximately 1/2" into channel.

14

Caulking

The use of a caulking compound will assure a water-tight seal of your enclosure. Apply caulk along **outside edge** of enclosure where metal and shower meet, especially where sill (bottom of enclosure) meets base. If desired, caulk inside of enclosure where jambs meet walls.

