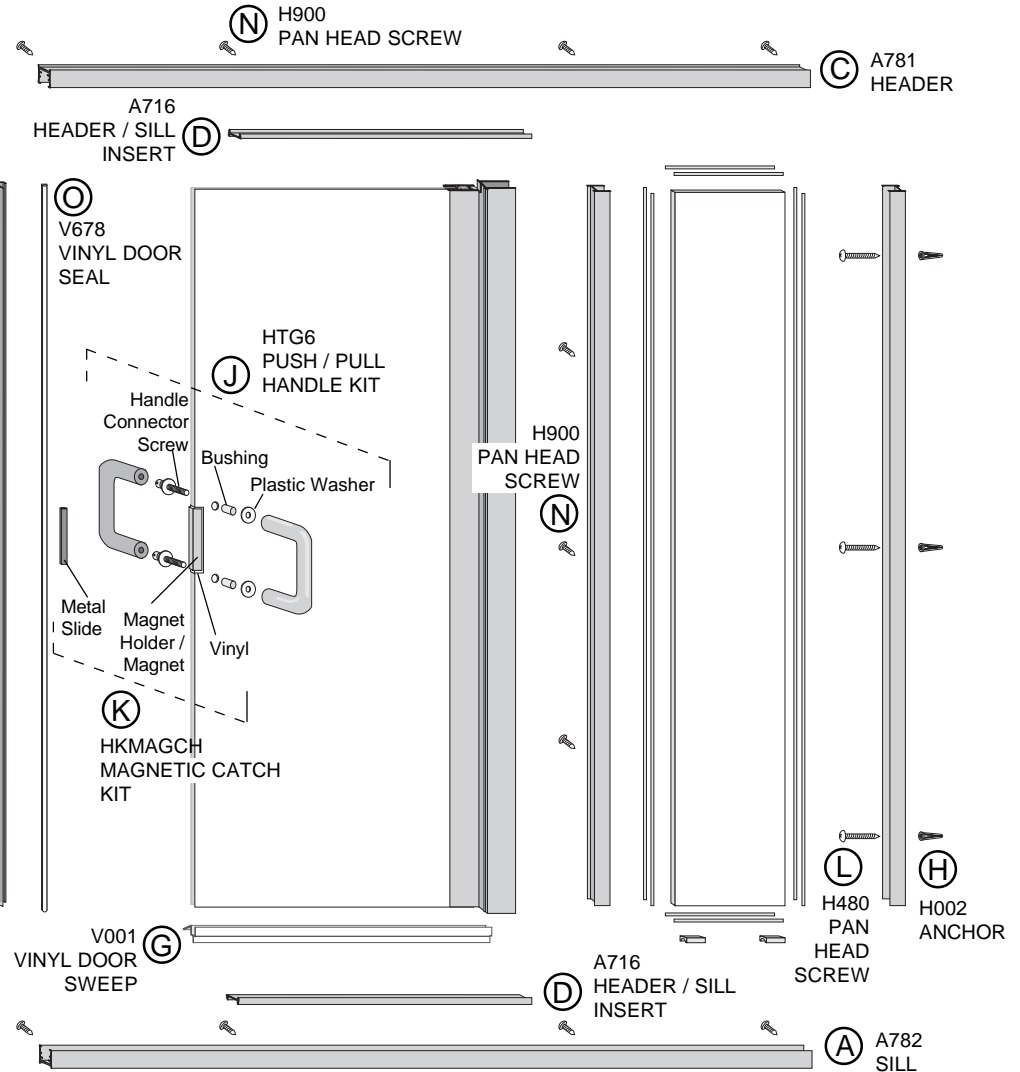
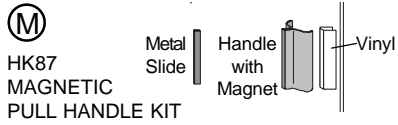


Style Series Option



OUTSIDE OF SHOWER

FRAME PACKAGE PARTS

KEY	DESCRIPTION	PART	Freestyle	Style
A	SILL (WITH WEEP HOLES)	A782	1	1
B	JAMB	A083	4	4
C	HEADER	A781	1	1
D	HEADER / SILL INSERT	A716	2	2
E	MAGNETIC DOOR STOP	A989	1	1
F	VINYL DOOR SEAL	V678	1	1
G	VINYL DOOR SWEEP	V001	1	1
Y	HORIZONTAL VINYL GLAZING	VK188H / VK250H	8	8
Z	VERTICAL VINYL GLAZING	VK188V / VK250V	8	8
J	PUSH / PULL HANDLE KIT	HTG6	1	
K	MAGNETIC CATCH KIT	HKMAGCH	1	
M	MAGNETIC HANDLE KIT	HK87		1

HARDWARE PARTS

L	8A X 1 1/4 PAN HEAD SCREW	H480	6	6
N	8A X 3/8 PAN HEAD S.DRILLING SCREW	H900	9	9
H	ANCHORS	H002	6	6
X	SETTING BLOCK	HB5195	2	2

TOOLS NEEDED

- 1/8" Drill Bit
- 3/16" Drill Bit
- (3/16" Masonry Bit for Ceramic Tile)
- Scratch Awl
- Measuring Tape
- Hacksaw
- Phillips Screw Driver
- Caulking Compound
- File
- Drill
- Level
- Masking Tape
- Rubber Mallet

Before starting installation of your new enclosure, carefully read all instructions and lay out parts to become familiar with their identity.

USE OF ANCHORS • Anchors are furnished with every enclosure. However, the use of anchors is not recommended when attaching your enclosure to a fiberglass unit or wall surrounds with board reinforced mounting areas. Mounting holes in this case should be drilled with an 1/8" drill bit.

Mounting this unit on tile requires the use of anchors. Special care must be taken not to crack the tile. Before drilling holes in the tile, lightly chip glazed surface of tile at the desired locations. Drill holes using a 3/16" masonry drill bit. Insert anchors into the holes making certain that ring on large end of anchor meets the surface of the tile.

CAUTION • Do not attempt to cut mirrors or glass used in this enclosure. Tempered glass and mirror will shatter if cut. Care should be taken when standing raw glass on its edge. Glass may shatter if corners are bumped or edge is rested on a rough floor surface. Cardboard, wood blocks (provided with hardware), or a similar surface is a safe resting surface for glass.

CLEANING • Cleaning and care of your enclosure is important to its lasting beauty. A nonabrasive liquid cleaner is recommended. *Never use scouring powder or pads.*

SEALING • Seal unit by caulking along outside of enclosure where metal and bath meet, especially where sill meets threshold. If desired, caulk inside of enclosure where jambs meet walls.

Kwikstal doors are designed to be reversible and may be installed to hinge-left or hinge-right. The following instructions show a hinge-right door.

1

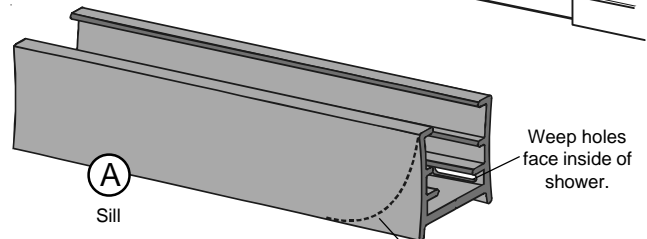
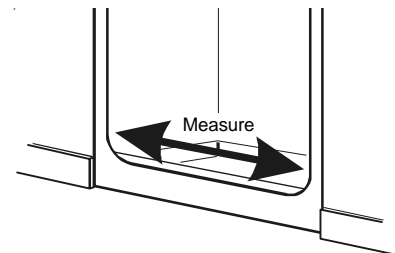
Sill (A)

Due to the manufacturing process, there may be rack marks present at one end of your sill. Sill must be trimmed to fit your individual opening. When cutting sill, make certain to trim off end with rack marks.

Header and sill are identical except that the sill has weep holes on inside surface. Identify sill with weep holes.

Determine placement of **sill (A)** on shower threshold. Normally door is installed with sill centered on the flat surface of threshold.

Measure opening at threshold and cut sill to that measurement. If necessary, file sharp edges to fit rounded corners of your unit.



OUTSIDE OF SHOWER

File sharp edges to fit contour of your unit if needed.

Weep holes face inside of shower.

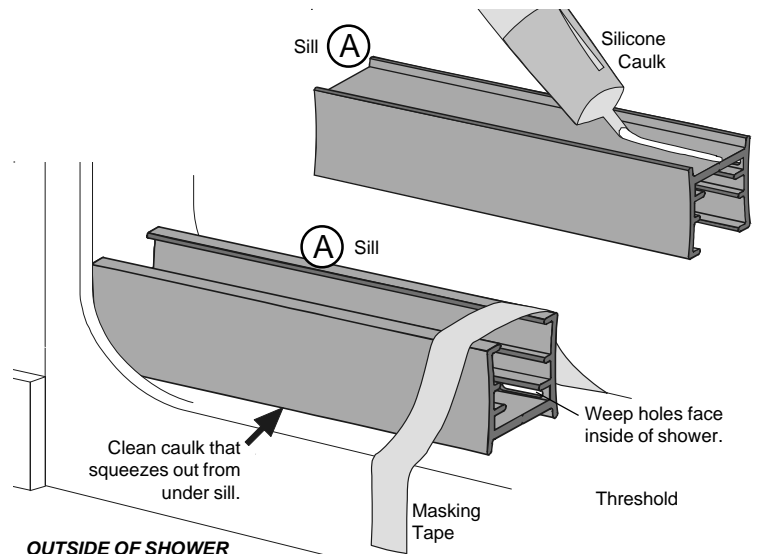
2

Sill (A)

With sill in upside down position, apply a 1/4" bead of caulk along bottom of sill.

Position sill on threshold with weep holes facing inside of shower. Tape to threshold with masking tape to hold in place while positioning jambs.

Clean caulk that squeezes out from under sill with a wooden wedge, plastic scraper, or popsicle stick.



OUTSIDE OF SHOWER

Clean caulk that squeezes out from under sill.

Threshold

3

Jambs (B)

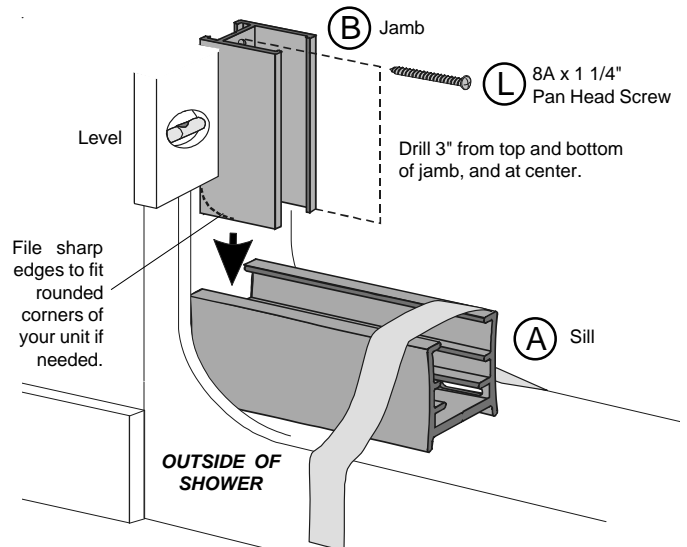
When anchors (H) are used, holes should be drilled using 3/16" drill bit. (Use masonry bit for tile.)

Position **jamb (B)** on sill with short legs against wall and bottom of jamb inside sill. If necessary, file sharp edges on bottom of jamb to fit rounded corners of your unit.

Align jamb vertically using a level. Drill mounting holes through jamb into wall using 1/8" drill bit. Mounting holes are normally located 3" from top and bottom of jamb and at center.

Secure jamb to wall using **8A x 1 1/4" pan head screws (L)**.

Repeat for opposite side.

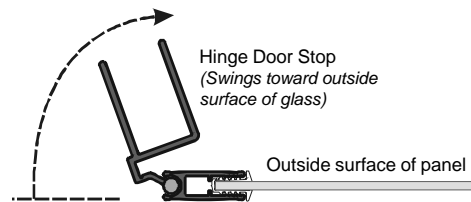


4

Handle

Lay door panel, with hinge door stop attached, on a work table covered with cardboard or carpet. Position so that hinge door stop swings up as shown. This will be the outside surface of your door panel (facing up). Adjust door on work table so that opening edge and handle holes extend past table edge.

Step 4a: Style Series. Step 4b: Freestyle Series.



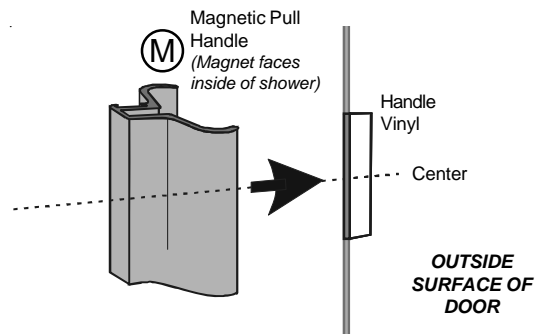
4a

Magnetic Pull Handle Kit (M) Style Series

Mark center of glass on opening edge of door panel.

Wrap **handle vinyl**, from **magnetic pull handle kit (M)**, over edge of glass. Thinner glass may require the use of two pieces of vinyl to insure a tight grip between handle and glass.

Hold **metal slide** for installation later. With a rubber mallet, tap **handle**, with **magnet** attached, onto glass. Magnet should face inside of shower.



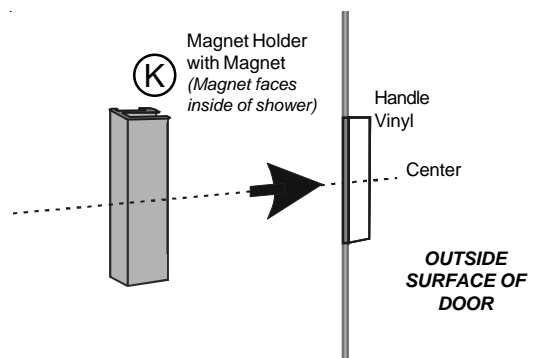
4b

Magnetic Catch Kit (K) Freestyle Series

Mark center of glass on opening edge of door panel.

Wrap **handle vinyl**, from **magnetic catch kit (K)**, over edge of glass. Thinner glass may require the use of two pieces of vinyl to insure a tight grip between handle and glass.

Hold **metal slide** for installation later. With a rubber mallet, tap **magnet holder**, with **magnet** attached, onto glass. Magnet should face inside of shower.



4b

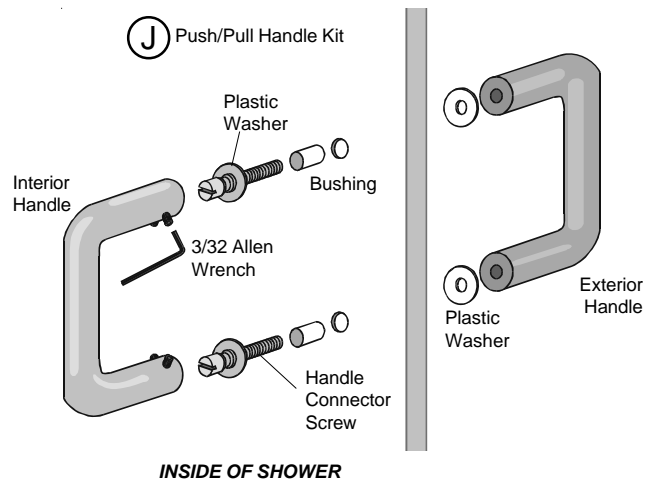
Push / Pull Handle Kit (J) Freestyle Series

Push/Pull handle kit (J) comes with parts assembled in the order they will be once installed on glass. Disassemble parts.

Place **bushings** in holes in glass. Trim as needed so that bushings are flush with surface of glass. Place one **plastic washer** on each **connector screw** and insert screws (from inside surface of glass) through bushings in glass.

Place second plastic washer on exposed end of connector screws on outside surface of glass. Holding **exterior handle** in place on outside surface of glass, tighten connector screw to secure handle.

On inside surface of glass, slip **interior handle** over connector screws and tighten with **3/32" allen wrench**.



5

Setting Blocks (X) / Side Panels

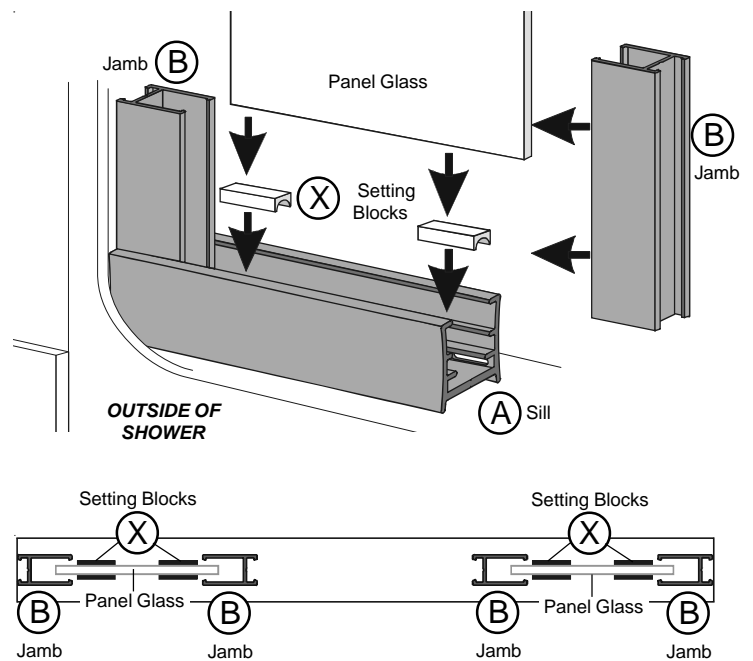
The following instructions call for glass to seat in verticals $3/8"$. This distance may be adjusted from $1/4"$ - $1/2"$ to accommodate out-of-plumb walls and allow for a better fit of parts.

Setting blocks (X) are used in sill to provide a resting surface for panel glass. Place one setting block in sill at edge of wall jamb. A second setting block should be placed in sill to support other corner of panel glass once glass is placed in unit. Measure panel glass and position remaining setting blocks accordingly.

Place panel glass in wall jamb with bottom of glass resting on setting blocks in sill and side of glass seated in wall jamb $3/8"$.

Place remaining **jamb** (panel jamb) over panel glass with long legs of jamb fitting over edge of glass $3/8"$, and bottom of jamb seated in sill.

Repeat for opposite side.



6

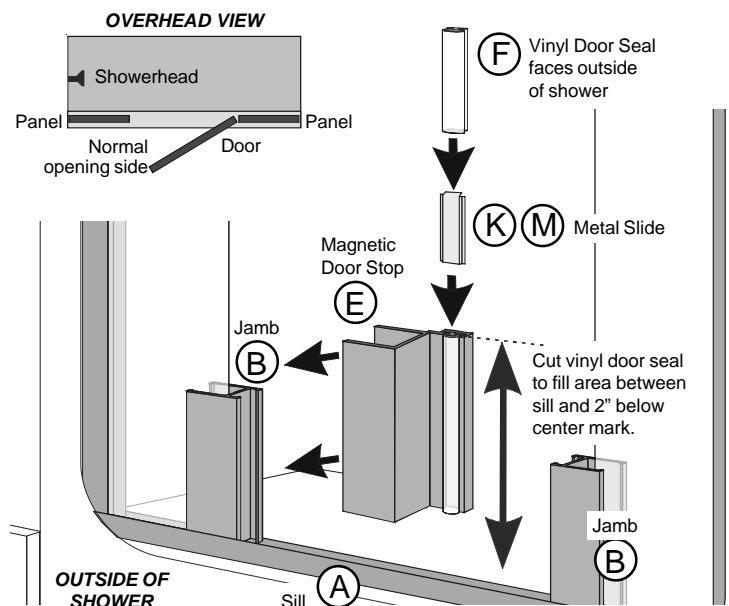
Jamb (B) / Magnetic Door Stop (E)

Decide which will be the opening side of your door. Door is normally installed to open on the side of unit nearest to showerhead.

Vinyl door seal (F), in **magnetic door stop (E)**, must be removed from channel, trimmed into two pieces and replaced with **metal slide** (from magnetic catch kit (K) or magnetic pull handle kit (M)) in between vinyl pieces.

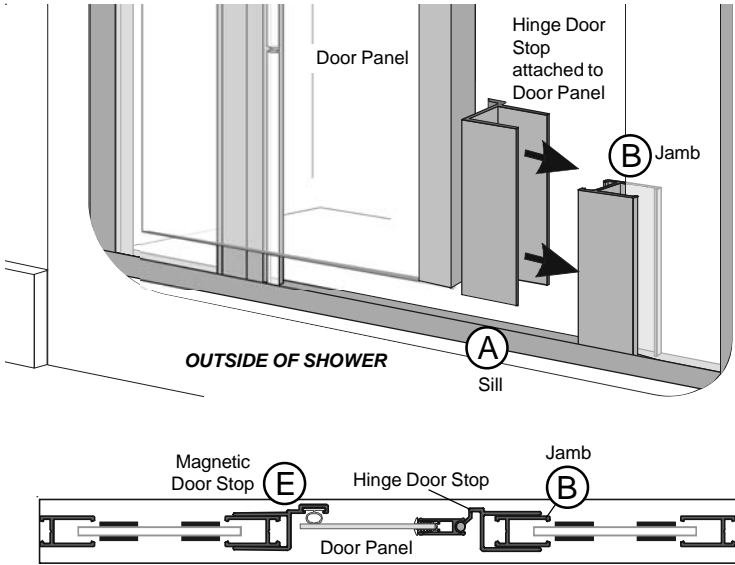
Mark center of magnetic door stop. Remove vinyl door seal and trim to fill open channel of door stop from sill to 2" below center mark. Reinsert cut vinyl in channel. Follow with metal slide and remaining piece of vinyl. Trim vinyl flush with door stop at top.

Slide magnetic door stop over jamb, with bottom of door stop seated in sill and vinyl door seal facing outside of shower.



7 Hinge Door Stop and Door Panel

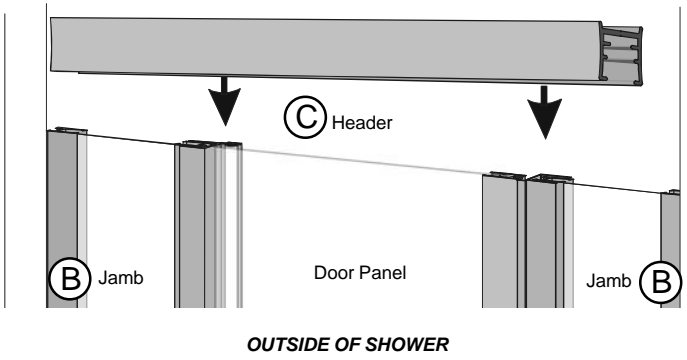
On opposite side of unit, place **hinge door stop** (with door attached) over wall jamb with bottom of door stop seated in sill. For safety purposes, door should be installed to open out from shower.



8 Header (C)

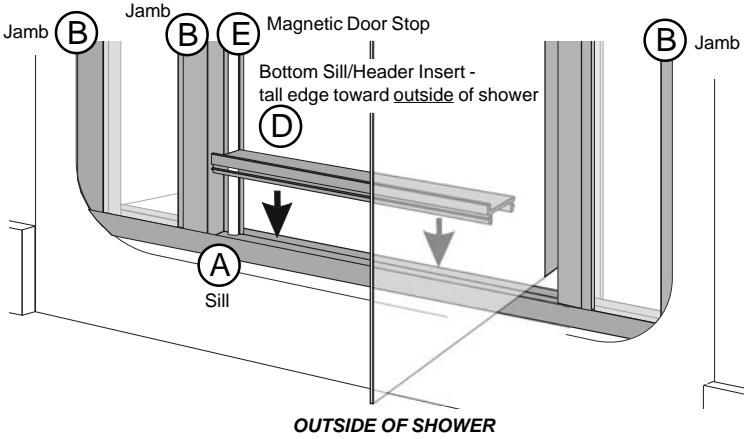
Measure from wall to wall (over the top of both jambs) and cut **header (C)** to that measurement.

Lower header into place over jambs.

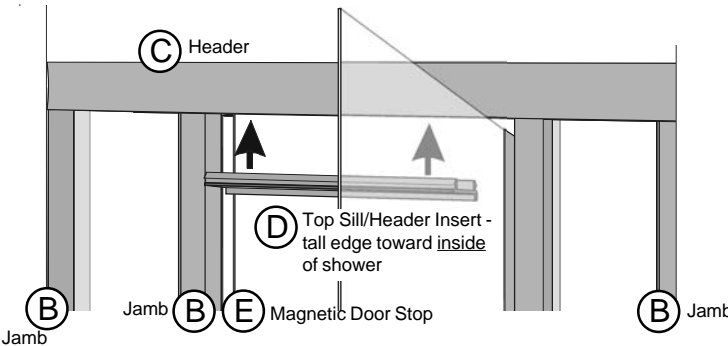


9 Sill / Header Inserts (D)

At bottom of door, snap **sill / header insert (D)** into sill with tall edge of insert toward outside of shower.



At top of door, snap **sill / header insert (D)** into header with tall edge of insert toward inside of shower.



10

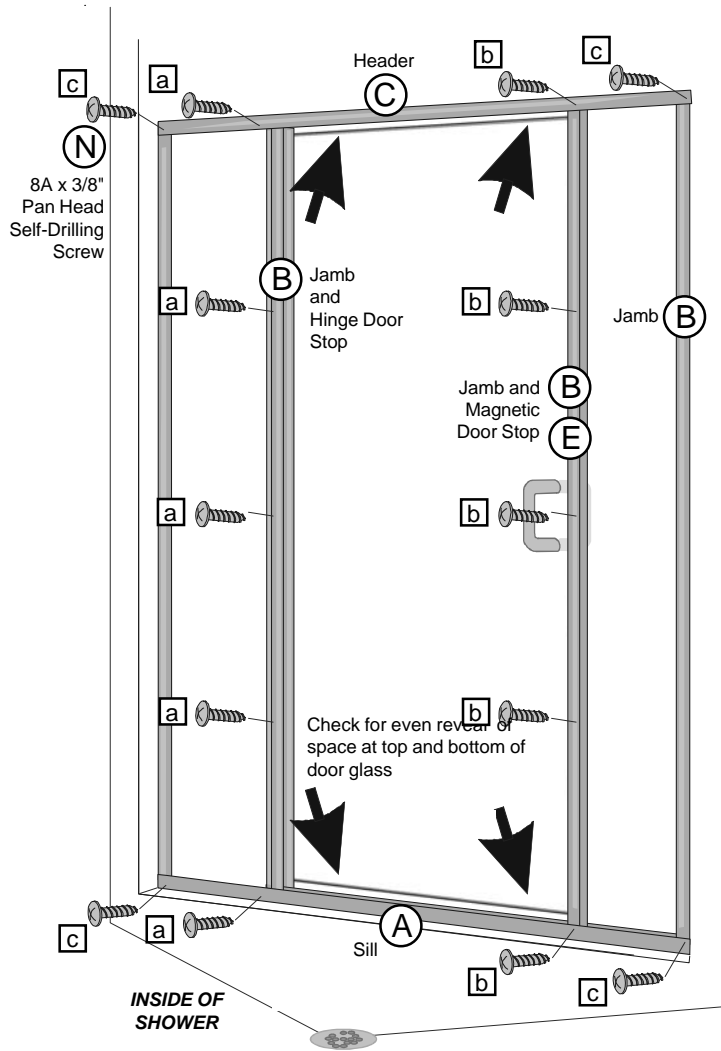
Aligning / Securing Verticals

When drilling or screwing into metal, make certain that glass is clear from area. Do not hit glass with drill bit.

Check alignment of door, panel glass, panel jamb, and magnetic door stop. Adjust as needed so that door closes evenly, there is an even reveal of space at top and bottom of door, and magnetic slide aligns with handle magnet.

Once desired alignment of parts has been achieved, secure parts together from inside of shower using **8A x 3/8" pan head self-drilling screws (N)**.

- a** Attach hinge door stop to panel jamb in five locations - at top of unit, securing header, jamb and door stop together; at bottom of unit, securing sill, jamb and door stop together; and at three points evenly spaced between top and bottom.
- b** Attach magnetic door stop to panel jamb in five locations - at top, securing header, magnetic door stop and panel jamb together; at bottom, securing sill, magnetic door stop and panel jamb together; and at three points evenly spaced between top and bottom.
- c** Attach wall jambs to header at top and sill at bottom.



11

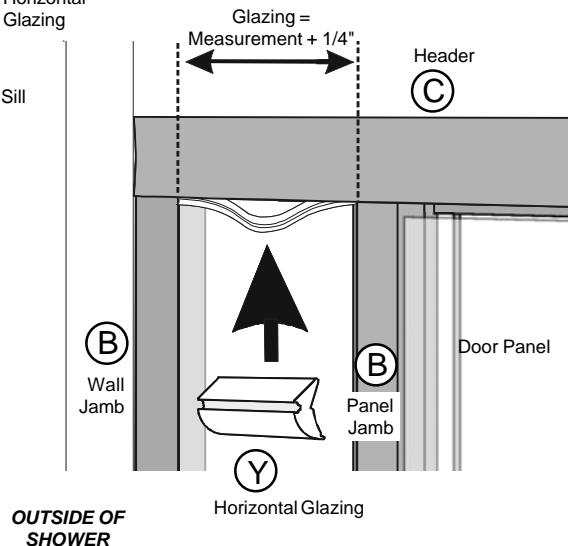
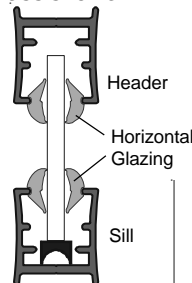
Horizontal Glazing (Y)

Vinyl glazing is used to cushion and secure glass in metal. There are two types of vinyl glazing included in your unit - **horizontal (Y)** and **vertical (Z)**. The horizontal glazing is thicker and will be installed first. Water may be used to lubricate glazing and make installation easier. Glazing is designed to fit tightly. A wooden block may be used to press vinyl into place.

Measure width of panel glass from wall jamb to panel jamb and add 1/4". Cut 2 pieces of **horizontal glazing** to this measurement, one for inside and one for outside of panel. Press ends of glazing into place first, fitting glazing into gap between metal and glass. Work toward center, pressing glazing into place.

Install glazing for both side panels working from outside to inside; bottom to top.

HORIZONTAL CROSS SECTION

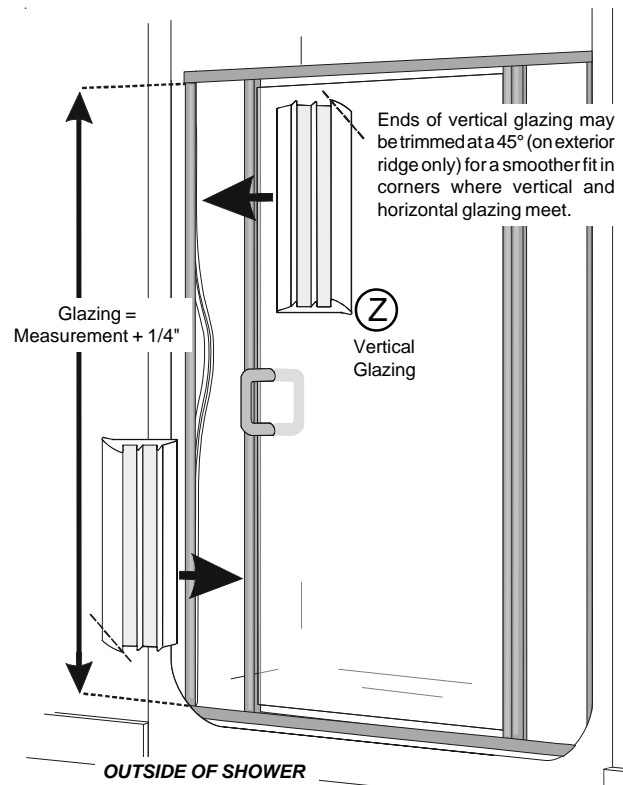
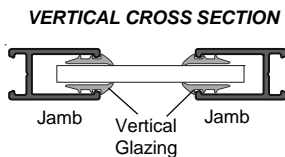


12

Vertical Glazing (Z)

Measure length of panel glass from header to sill and add 1/4". Cut two pieces of **vertical glazing (Z)** and apply on inside and outside of panel between glass and jambs. Install glazing for both side panels working from outside to inside of panel.

For a smoother fit in corners where horizontal and vertical glazings meet, the ends of vertical glazing may be trimmed at a 45° angle. Trim only the exterior ridge of glazing. Do not trim glazing that fits inside metal once installed.



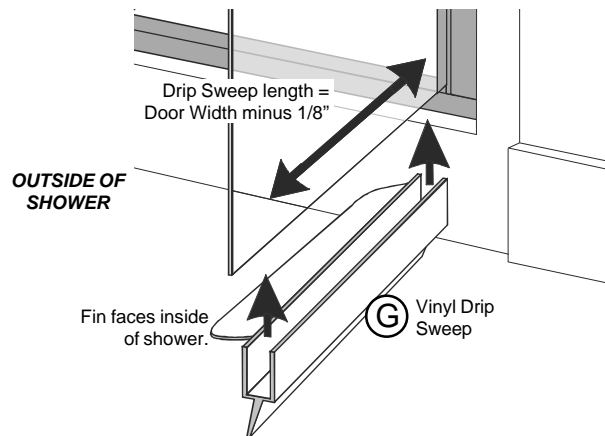
13

Vinyl Drip Sweep (G)

Measure width of door glass at bottom.

Trim **vinyl drip sweep (G)** to door glass width minus 1/8". Trim only from hinge end of drip sweep. Contour cut end of drip sweep fin to remove sharp point.

Press drip sweep onto bottom edge of door glass with fin facing inside of shower and edge of drip sweep flush with edge of glass on hinge side of door. (*Drip sweep will be 1/8" from edge of glass on opening side of door.*)



14

Caulking

The use of a caulking compound will assure a water-tight seal of your enclosure.

Apply caulk along **outside** edge of enclosure where metal and shower meet, especially where sill (bottom of enclosure) meets base.

If desired, caulk inside of enclosure where jambs meet walls.

