

OUTSIDE OF SHOWER

FRAME PACKAGE PARTS

KEY	DESCRIPTION	PART	QTY
A	SILL	A001	1
B	JAMB	A083	2
C	MAGNETIC DOOR STOP	A989	1
D	VINYL DOOR SEAL	V678	1
E	VINYL DRIP SWEEP	V001	1

HARDWARE PARTS

J	HINGE	H006	2
K	PUSH/PULL HANDLE KIT	HTG6	1
	PLASTIC WASHER		4
	EXTERIOR PULL HANDLE		1
	INTERIOR PULL HANDLE		1
	BUSHING		2
	HANDLE CONNECTOR SCREW		2
R	MAGNETIC CATCH KIT	HKMAGCH	1
	MAGNET HOLDER WITH MAGNET		1
	METAL SLIDE		1
	HANDLE VINYL		1
L	8A X 1 1/4" PAN HEAD SCREW	H480	6
M	8A X 3/8" PAN HEAD SCREW SELF DRILL	H900	10
N	ANCHOR	H002	6
Q	4MM ALLEN WRENCH	H636	1

TOOLS NEEDED

- 1/8" Drill Bit
- 3/16" Drill Bit
- (3/16" Masonry Bit for Ceramic Tile)
- Pencil
- Measuring Tape
- Hacksaw
- Phillips Screw Driver
- Caulking Compound
- File
- Drill
- Level
- Masking Tape
- Rubber Mallet

Before starting installation of your new enclosure, carefully read all instructions and lay out parts to become familiar with their identity. Frameless patch-hinge doors, by nature of their design, are not completely watertight.

USE OF ANCHORS • Anchors are furnished with every enclosure. However, the use of anchors is not recommended when attaching your enclosure to a fiberglass unit or wall surrounds with board reinforced mounting areas. Mounting holes in this case should be drilled with an 1/8" drill bit.

Mounting this unit on tile requires the use of anchors. Special care must be taken not to crack the tile. Before drilling holes in the tile, lightly chip glazed surface of tile at the desired locations. Drill holes using a 3/16" masonry drill bit. Insert anchors into the holes making certain that ring on large end of anchor meets the surface of the tile.

CAUTION • Do not attempt to cut mirrors or glass used in this enclosure. Tempered glass and mirror will shatter if cut. Care should be taken when standing raw glass on its edge. Glass may shatter if corners are bumped or edge is rested on a rough floor surface. Cardboard, wood blocks (provided with hardware), or a similar surface is a safe resting surface for glass.

CLEANING • Cleaning and care of your enclosure is important to its lasting beauty. A nonabrasive liquid cleaner is recommended. *Never use scouring powder or pads.*

SEALING • Seal unit by caulking along outside of enclosure where metal and bath meet, especially where sill meets threshold. If desired, caulk inside of enclosure where jambs meet walls.

Kwikstal doors are designed to be reversible and may be installed to hinge-left or hinge-right. The following instructions show a hinge-right door.

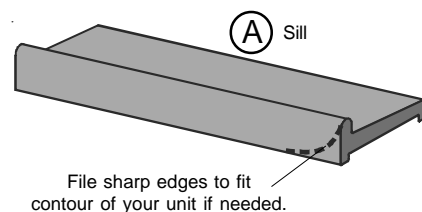
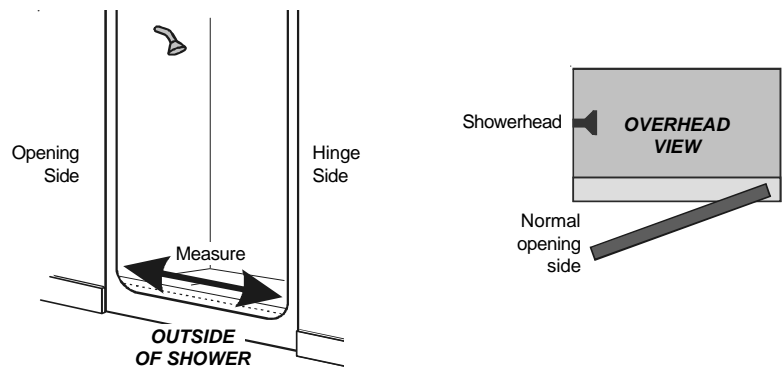
1 Sill (A)

Due to the manufacturing process, there may be rack marks present at one end of your sill. Sill must be trimmed to fit your individual opening. When cutting sill, make certain to trim off end with rack marks.

Before beginning installation, decide which will be the opening side of your door. Door is normally installed to open on the showerhead side of unit. For safety purposes, door should be installed to open out from shower.

Also determine placement of door on threshold. Normally door is centered on flat surface of threshold. Mark centerline on threshold.

The use of **sill (A)** is optional. If using sill, measure opening at threshold and cut sill to that measurement. If necessary, file sharp corners of sill to fit rounded corners of your unit.

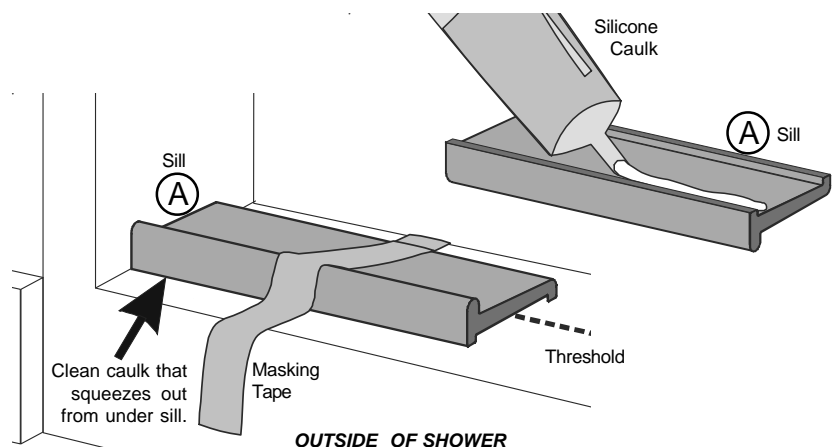


2 Sill (A)

With sill in upside down position, apply a 1/4" bead of caulk along bottom of sill.

Position sill on centerline of threshold with tall edge of sill toward outside of shower. Tape sill to threshold with masking tape to hold in place while positioning door stops.

Clean caulk that squeezes out from under sill with a wooden wedge, plastic scraper, or popsicle stick.



3

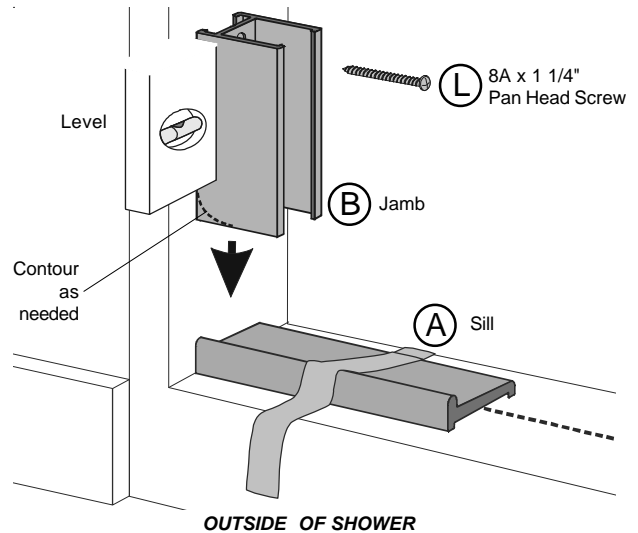
Jambs (B)

When anchors (N) are used holes should be drilled using 3/16" drill bit.

Place **jambs** (B) on sill with short legs against wall and bottom of jambs resting on sill. If necessary, file sharp corners on back of jambs to fit contour of your unit.

Align jambs vertically using a level. Mark wall through prepunched holes. Remove jambs and drill where marked using 1/8" drill bit.

Reposition jambs on wall and secure using **8A x 1 1/4" pan head screws** (L).



4

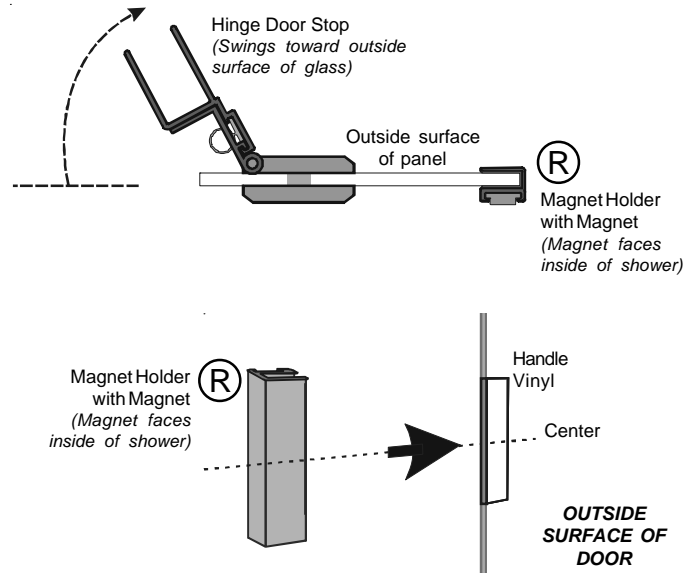
Magnetic Catch Kit (R)

Lay door panel, with hinge door stop attached, on a work table covered with cardboard or carpet. Position so that hinge door stop swings up as shown. This will be the outside surface of your door panel (facing up). Adjust door on work table so that the opening edge and handle holes extend past table edge.

Mark center of glass on opening edge of door panel.

Wrap **handle vinyl**, from **magnetic catch kit** (R), over edge of glass. Thinner glass may require the use of two pieces of vinyl to insure a tight grip between handle and glass.

Hold **metal slide** for installation later. With a rubber mallet, tap **magnet holder**, with **magnet** attached, onto glass. Magnet should face inside of shower.



5

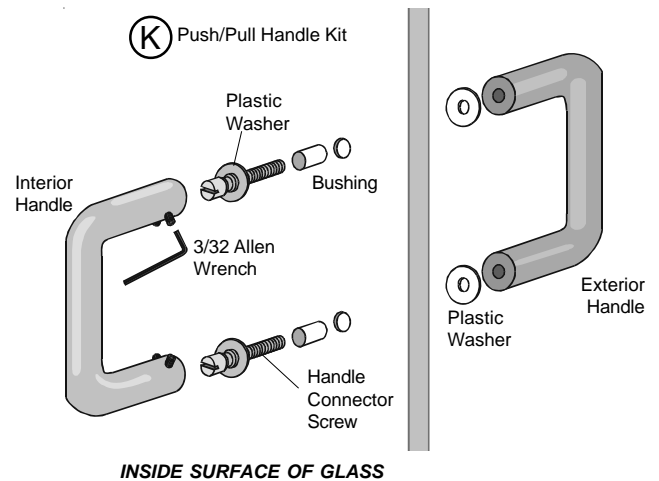
Push / Pull Handle Kit (K)

Push / Pull handle kit (K) comes with parts assembled in the order they will be once installed on glass. Disassemble parts.

Place **bushings** in holes in glass. Trim as needed so that bushings are flush with surface of glass. Place one **plastic washer** on each **connector screw** and insert screws (from inside surface of glass) through bushings in glass.

Place second plastic washer on exposed end of connector screws on outside surface of glass. Holding **exterior handle** in place on outside surface of glass, tighten connector screw to secure handle.

On inside surface of glass, slip **interior handle** over connector screws and tighten with **3/32" allen wrench** provided.



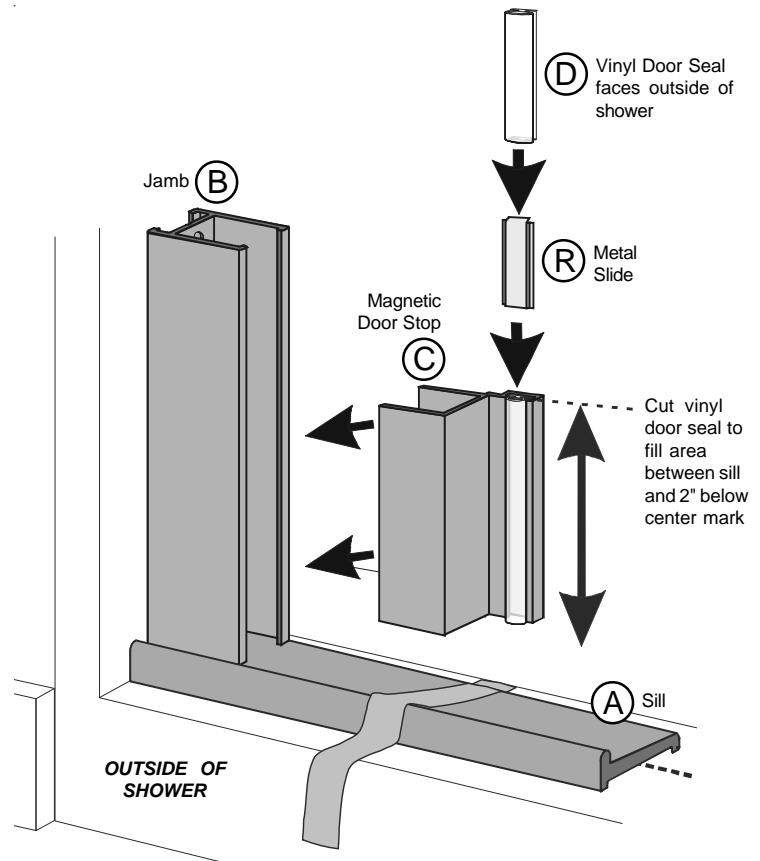
6

Magnetic Door Stop (C)

Vinyl door seal (D), in **magnetic door stop (C)**, must be removed from channel, trimmed into two pieces and replaced with **metal slide (R)** in between vinyl pieces.

Mark center of magnetic door stop. Remove vinyl door seal and trim to fill open channel of door stop from sill to 2" below center mark. Reinsert cut vinyl in channel. Follow with metal slide and remaining piece of vinyl. Trim vinyl flush with door stop at top.

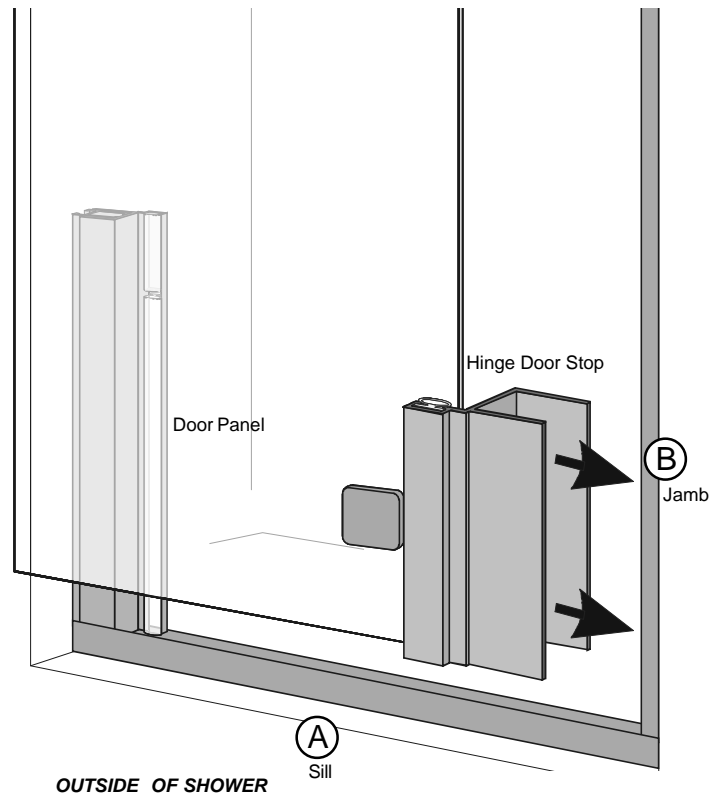
Slide magnetic door stop over jamb, with bottom of door stop seated on sill and vinyl door seal facing outside of shower. Bump sill slightly toward outside of shower to accommodate width of magnetic door stop leg fitting in between jamb and tall edge of sill.



7

Hinge Door Stop and Door Panel

Position **hinge door stop**, which is attached to door panel, over jamb on opposite side from magnetic door stop. For safety purposes, door should be installed to open out from shower.



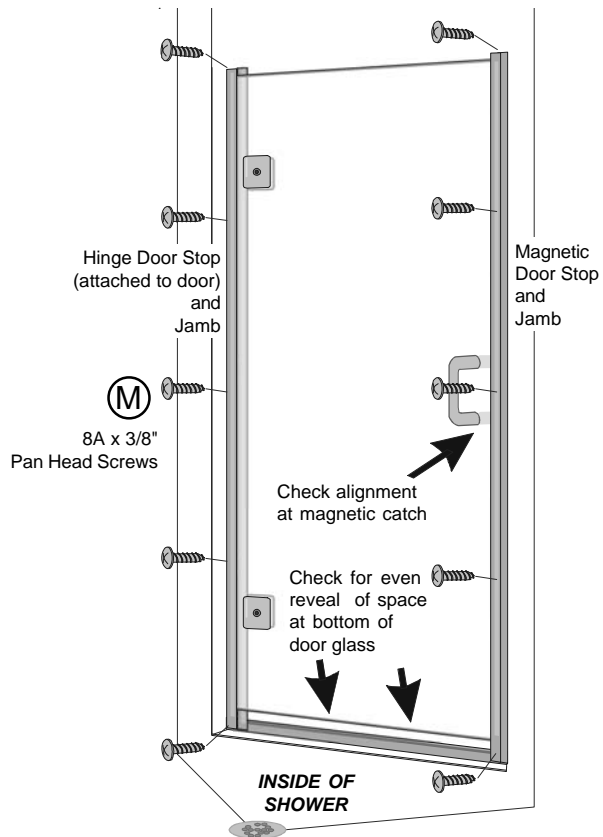
8

Securing Verticals

When securing door stops to jambs, do not drill through front side of jamb.

Check alignment of door and magnetic door stop. Adjust as needed so that door closes evenly, there is an even reveal of space at bottom of door, and magnetic slide aligns with handle magnet.

Once desired alignment of parts has been achieved, secure parts together, from inside of shower, using five **8A x 3/8" pan head screws (M)** on each side. Attach door stops to jambs at top and bottom, then evenly space remaining screws.



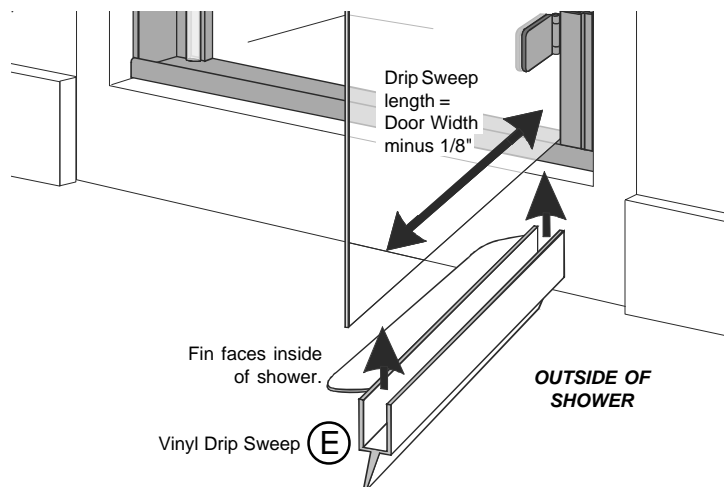
9

Vinyl Drip Sweep (E)

Measure width of door glass at bottom.

Trim **vinyl drip sweep (E)** to door glass width minus 1/8". Trim only from door hinging end of drip sweep. Contour cut end of drip sweep fin to remove sharp point.

Press drip sweep onto bottom edge of door glass with fin facing inside of shower and edge of drip sweep flush with edge of glass on hinging side of door.



10

Caulking

The use of a caulking compound will assure a **water-tight seal** of your enclosure. Apply caulk along outside edge of enclosure where metal and shower meet, especially where sill meets threshold. If desired, caulk inside of enclosure where jambs meet walls.

Caulk joint on sill where magnetic door stop and sill meet. On opposite side, caulk where hinge door stop and sill meet.

