

**4HJ-GP**

**Swing Door**



**Technical Assistance is available Monday - Friday, 8:00 a.m. - 5:00 p.m. (Central Time)**

**1-877-723-7190 (Toll Free)**

# PARTS LIST

## FRAME PACKAGE

KEY	DESCRIPTION	PART	QTY
A	SILL	A001	1
B	HINGE / MAGNETIC DOOR STOP	A081	2
C	VINYL DOOR SEAL	V678	4
D	VINYL DRIP SWEEP	V001	1

## HARDWARE BAG

E	HINGE	H006	2
F	PUSH/PULL HANDLE KIT	HTG6	1
	PLASTIC WASHER		4
	EXTERIOR PULL HANDLE		1
	INTERIOR PULL HANDLE		1
	BUSHING		2
	HANDLE CONNECTOR SCREW		2
L	ANCHOR	H002	8
G	8A X 1 1/4" FLAT HEAD SCREW	H810	4
H	8A X 2" FLAT HEAD SCREW	H462	4
I	4MM ALLEN WRENCH	H636	1
J	3/32 ALLEN WRENCH	H635	1
K	MAGNETIC CATCH KIT	HKMAGCH	1
	MAGNET HOLDER WITH MAGNET	HMAH / HG92	1
	METAL SLIDE	HA75	1
	HANDLE VINYL	V208	1

## TOOLS NEEDED

1/8" Drill Bit  
 Pencil  
 Measuring Tape  
 Hacksaw  
 Phillips Screw Driver  
 Silicone Caulk  
 File  
 Drill  
 Level  
 Masking Tape

**Before starting installation of your new enclosure, carefully read all instructions and lay out parts to become familiar with their identity. Installation is a manageable task for an experienced "Do-It-Yourselfer" and a helper.**

**Frameless patch-hinge doors, by nature of their design, are not completely watertight.**

### USE OF ANCHORS

Anchors are furnished with every enclosure. However, the use of anchors is not recommended when attaching your enclosure to a fiberglass unit or wall surrounds with board reinforced mounting areas. Mounting holes in this case should be drilled with an 1/8" drill bit.

Mounting this unit on tile requires the use of anchors. Special care must be taken not to crack the tile. Before drilling holes in the tile, lightly chip glazed surface of tile at the desired locations. Drill holes using a 3/16" masonry drill bit. Insert anchors into the holes making certain that ring on large end of anchor meets the surface of the tile.

### CAUTION

Do not attempt to cut mirrors or glass used in this enclosure. Tempered glass and mirrors will shatter if cut.

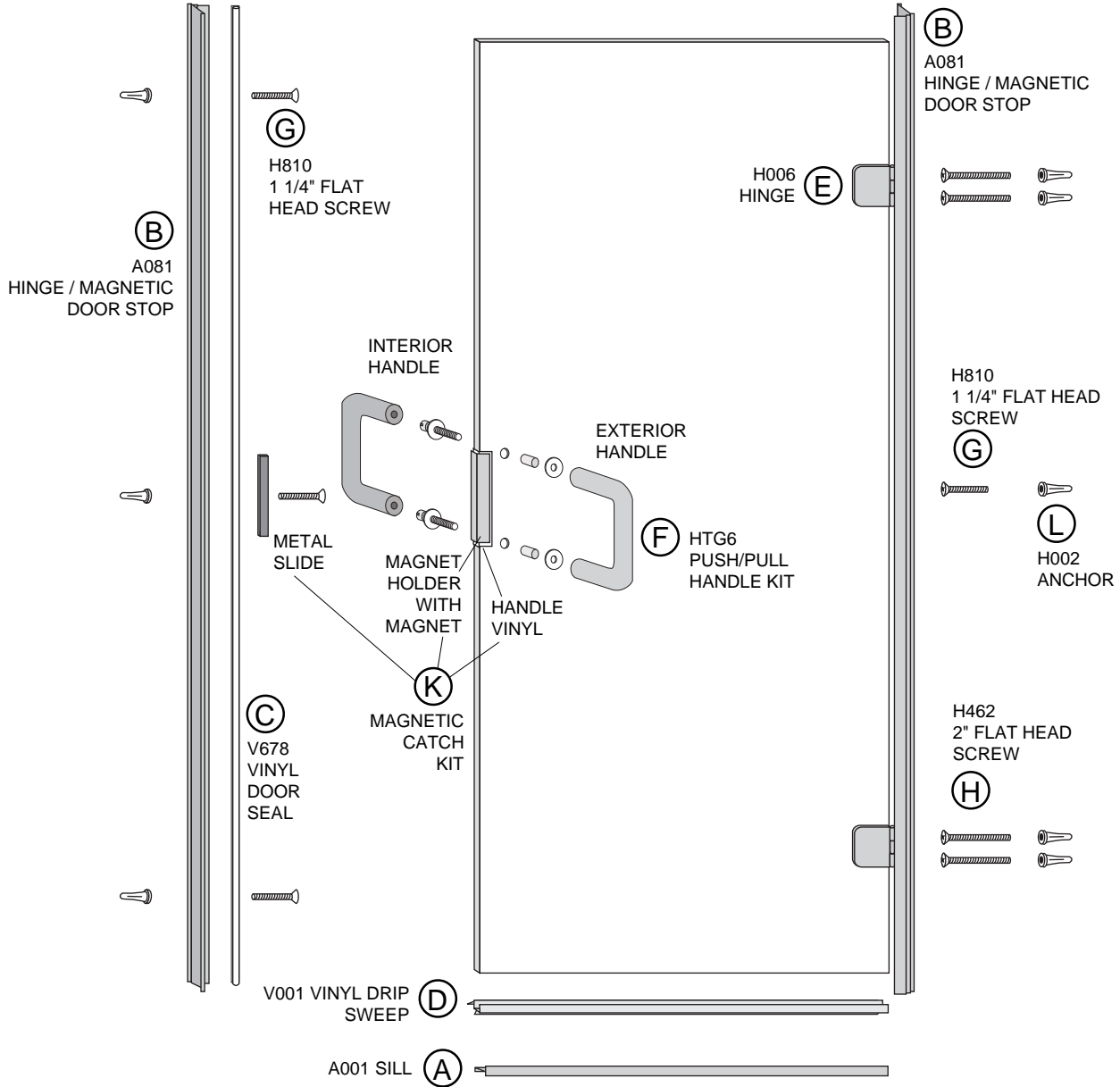
Care should be taken when standing raw glass on its edge. Glass may shatter if corners are bumped or edge is rested on a rough floor surface. Cardboard, wood blocks, or a similar surface is a safe resting surface for glass.

### CLEANING

Cleaning and care of your enclosure is important to its lasting beauty. A nonabrasive liquid cleaner is recommended.  
*Never use scouring powder or pads.*

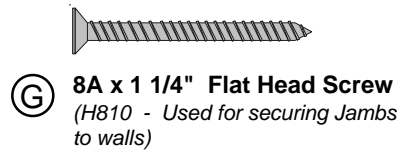
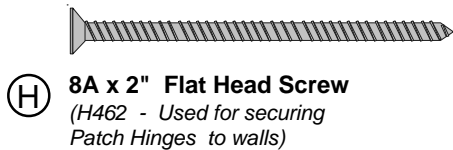
### SEALING

Seal unit by caulking along outside of enclosure where metal and bath meet, especially where sill meets threshold. If desired, caulk inside of enclosure where jambs meet walls.



**OUTSIDE OF SHOWER**

Care should be taken when standing raw glass on its edge. Glass may shatter if corners are bumped or edge is rested on a rough floor surface. Cardboard, wood blocks, or a similar surface is a safe resting surface for glass.



1

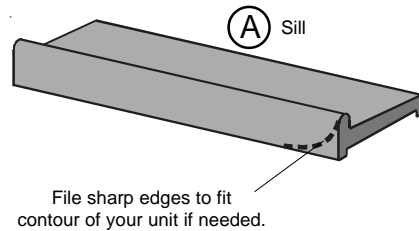
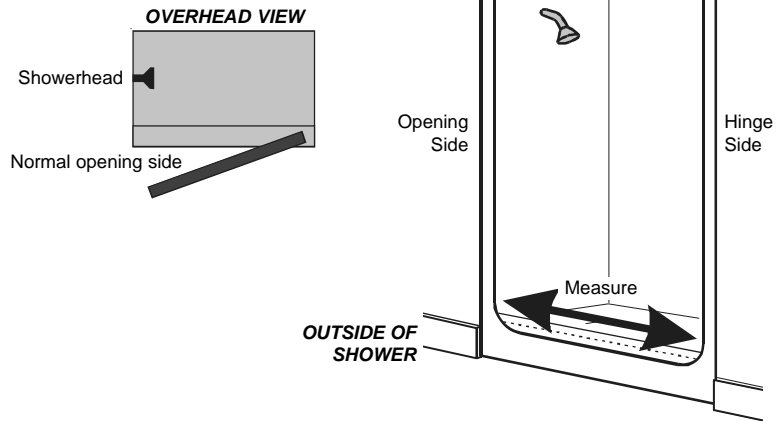
Sill (A)

Due to the manufacturing process, there may be rack marks present at one end of your sill. Sill must be trimmed to fit your individual opening. When cutting sill, make certain to trim off end with rack marks.

Before beginning installation, decide which will be the opening side of your door. Door is normally installed to open on the showerhead side of unit. For safety purposes, door should be installed to open out from shower.

Also determine placement of door on threshold. Normally door is centered on flat surface of threshold. Mark centerline on threshold.

The use of sill (A) is optional. If using sill, measure opening at threshold and cut sill to that measurement. If necessary, file sharp corners of sill to fit rounded corners of your unit.



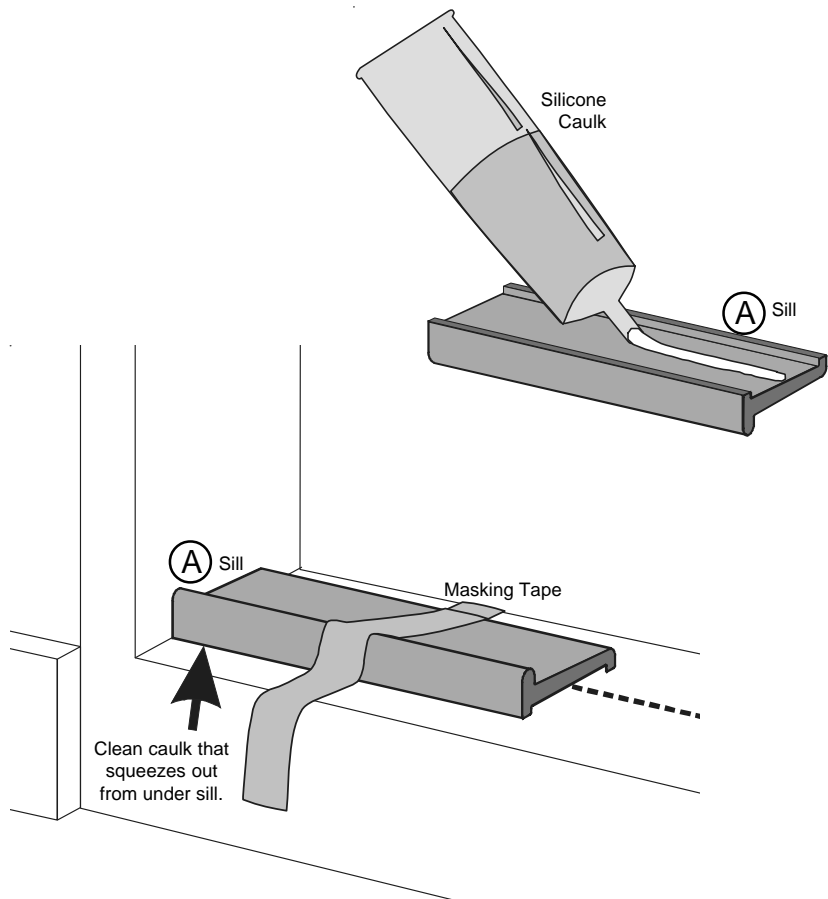
2

Sill (A)

With sill in upside down position, apply a 1/4" bead of caulk along bottom of sill.

Position sill on centerline of threshold with tall edge of sill toward outside of shower. Tape sill to threshold with masking tape to hold in place while positioning door stops.

Clean caulk that squeezes out from under sill with a wooden wedge, plastic scraper, or popsicle stick.



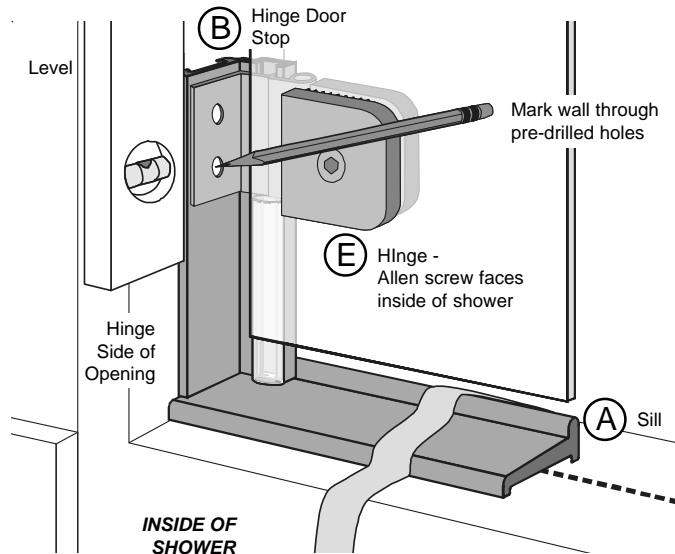
3

### Hinge Door Stop (B) / Hinges (E)

The **hinge door stop** (B) is pre-attached to door glass by **hinges** (E). Working from inside of shower, hold door glass in place with hinge door stop against "hinge side" wall, and bottom of door stop resting on sill. Make certain that door is positioned to swing out from shower and **allen screws** on hinges face inside of shower.

Align hinge door stop vertically using a level.

Mark wall through pre-drilled holes in door stop and hinges.



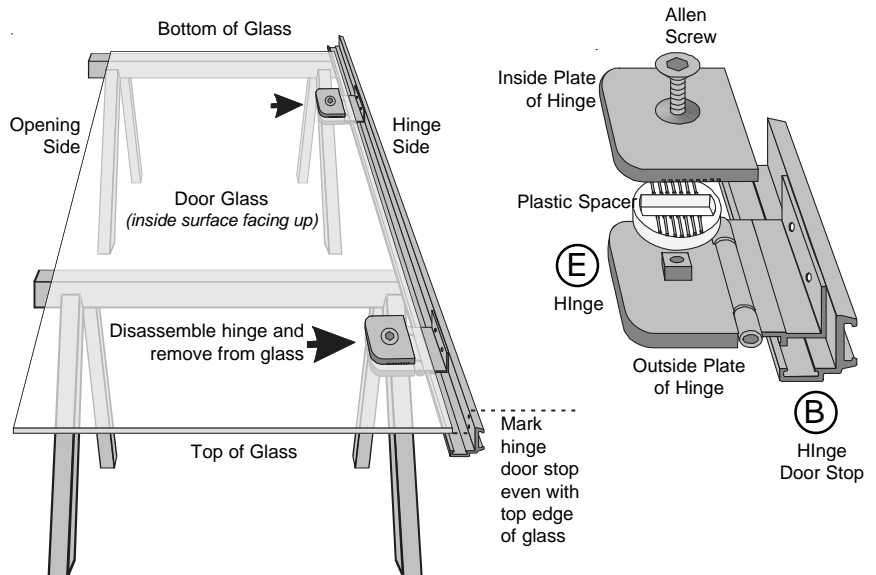
4

### Hinge Door Stop (B) / Hinges (E)

Remove door glass from opening. Lay glass on a clean working surface (work table with non-scratch surface or wood saw horses) with inside surface of glass facing up. **Allen screws** in hinges should be facing up.

At top of door panel, mark hinge door stop even with top edge of glass.

Loosen allen screws on hinges using **4mm allen wrench**. Remove **inside plates** and **plastic spacers**. **Hinge door stop** will now be separated from door glass. **Outside plates** of hinges will remain attached to hinge door stop.



5

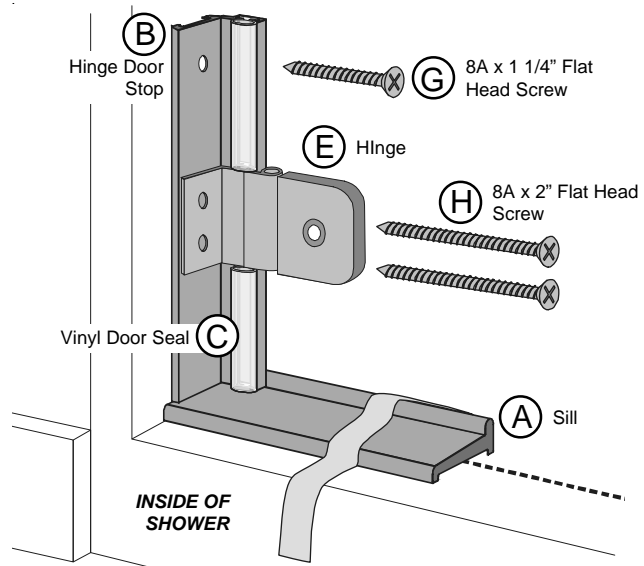
### Hinge Door Stop (B)

**When anchors (L) are used, holes should be drilled using 3/16" drill bit. (Use masonry bit for tile.)**

Trim top of hinge door stop where marked so that it will be flush with top edge of glass once parts are in place.

Remove tape from top and bottom of hinge door stop.

Reposition door stop against wall. Align holes in door stop with marks on wall. Secure door stop to wall through hinges using **8A x 2" flat head screws** (H). At center hole, secure door stop to wall using **8A x 1 1/4" flat head screw** (G).



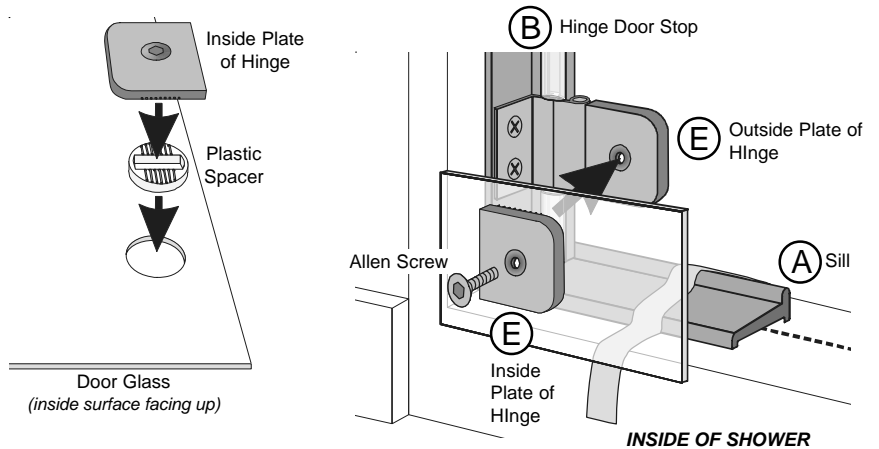
# 6

## Hinges (E)

Position plastic spacer onto inside plate of hinge with hole of spacer centered over hole in hinge. (Spacer may be repositioned later to adjust alignment of door.) Press firmly so that teeth hold spacer in place.

Lift door glass and hold in place. From inside shower, press spacers (with inside plates attached) into holes in glass, aligning screw holes with screw holes in outside plates (still attached to hinge door stop).

Secure hinges together using allen screws.



# 7

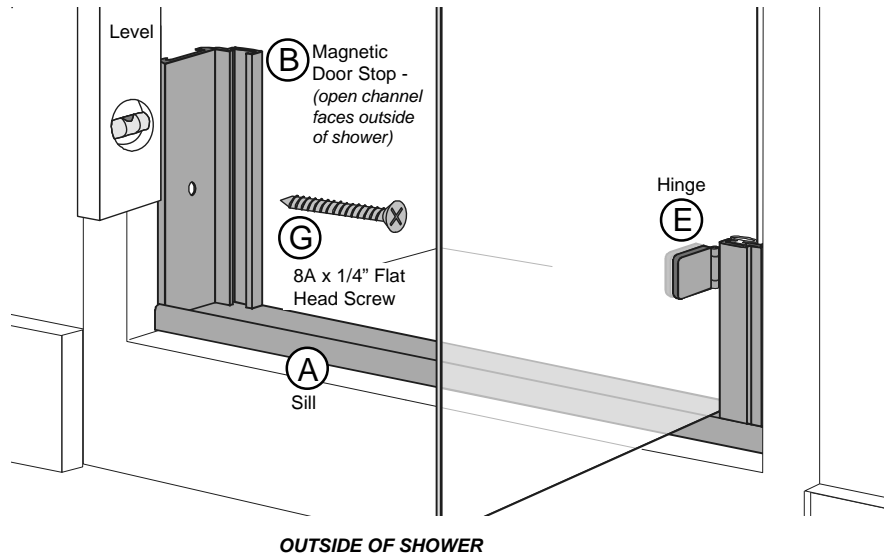
## Magnetic Door Stop (B)

Remove **vinyl door seal (C)** from channel of **magnetic door stop (B)**.

Position magnetic door stop against wall with open channel of door stop facing outside of shower and bottom resting on sill. Mark door stop at top edge of glass. Remove and trim where marked (as done on hinge door stop) so that door stop will be flush with top edge of glass once parts are in place.

Reposition magnetic door stop against wall. Align vertically using a level.

Secure to wall through pre-drilled holes, using 8A x 1/4" flat head screws.



# 8

## Metal Slide (K)

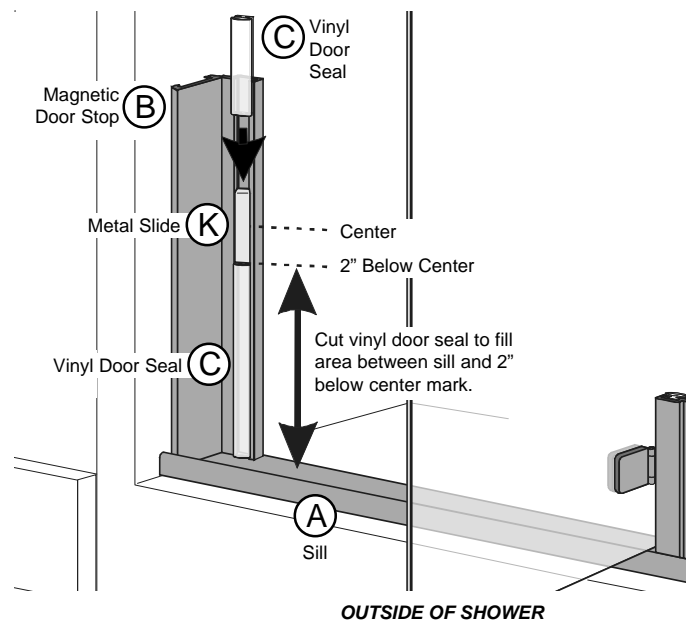
Vinyl door seal must be trimmed into two pieces and replaced in open channel of magnetic door stop with **metal slide** (attached to magnet in **magnetic catch kit (K)**) in between vinyl pieces.

Mark center of magnetic door stop. Trim vinyl door seal to fill open channel of door stop from sill to 2" below center mark.

Insert vinyl in channel.

Insert metal slide (attached to magnet in magnetic catch kit) in channel on top of vinyl.

Insert remaining piece of vinyl in channel on top of metal slide. Trim vinyl flush with door stop at top of unit.



# 9

## Push / Pull Handle Kit (F)

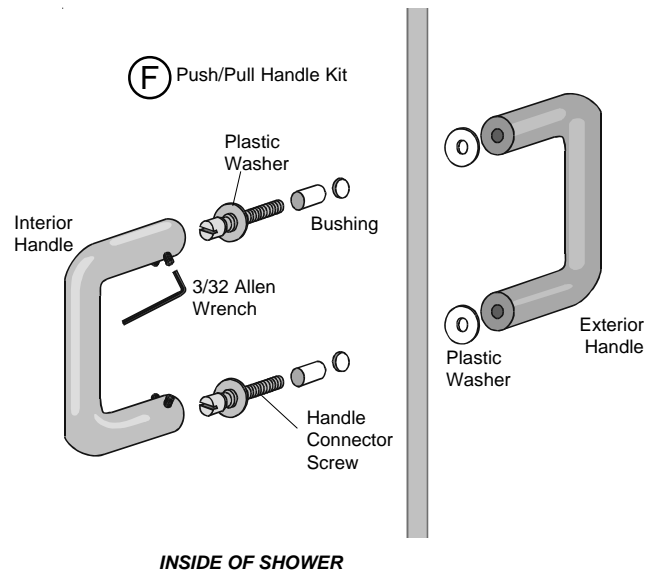
Handles will be mounted on glass before hanging door panels.

**Push / Pull handle kit (F)** comes with parts assembled in the order they will be once installed on glass. Disassemble parts.

Place **bushings** in holes in glass. Trim as needed so that bushings are flush with surface of glass. Place one **plastic washer** on each **connector screw** and insert screws (from inside surface of glass) through bushings in glass.

Place second plastic washer on exposed end of connector screws on outside surface of glass. Holding **exterior handle** in place on outside surface of glass, tighten connector screw to secure handle.

On inside surface of glass, slip **interior handle** over connector screws and tighten with **3/32" allen wrench**. Repeat for remaining handle.

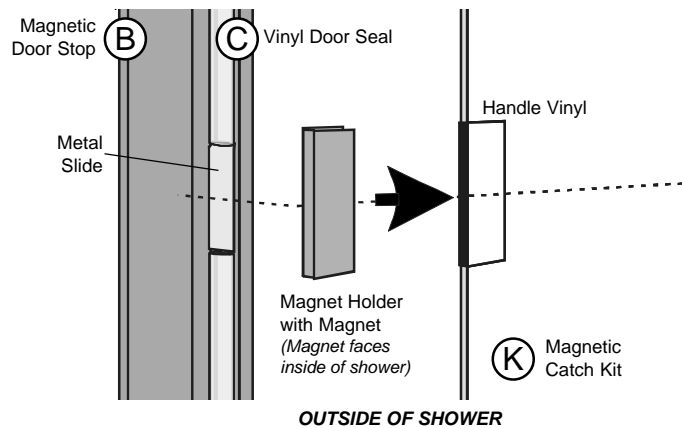


# 10

## Magnetic Catch Kit (K)

Wrap **handle vinyl**, from **magnetic catch kit (K)**, around edge of door glass adjacent to metal slide in door stop.

Tap **magnet holder**, with **magnet** attached, over vinyl. Magnet should face inside of shower.

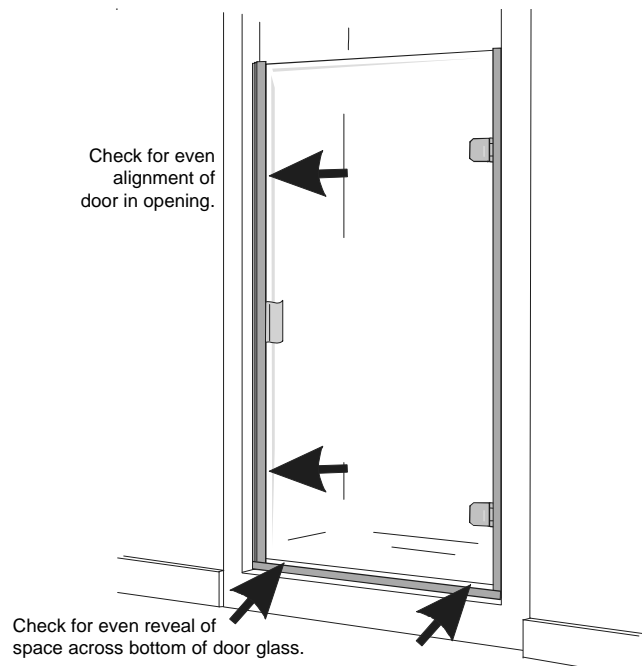


# 11

## Align Door Panel

Check alignment of door in opening. Check to see that door closes evenly and there is an even reveal of space across bottom of door glass.

Slight adjustments can be made, if necessary, by carefully loosening allen screw on one hinge at a time and adjusting plastic spacer within hinge until correct alignment is achieved. Completely tighten allen screw on one hinge before loosening remaining hinge so that door glass is always held securely by at least one hinge.

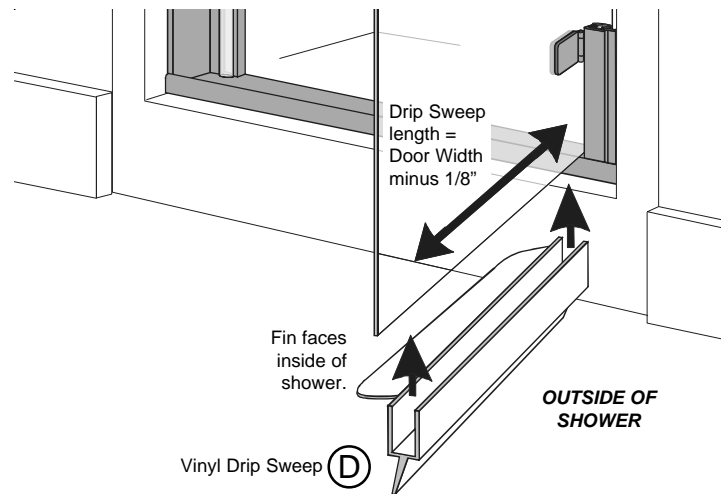


## 12 Drip Sweep (D)

Measure width of door glass at bottom.

Trim **vinyl drip sweep (D)** to door glass width minus 1/8". Trim only from hinge end of drip sweep. Contour cut end of drip sweep fin to remove sharp point.

Press drip sweep onto bottom edge of door glass with fin facing inside of shower and edge of drip sweep flush with edge of glass on hinge side of door. (*Drip sweep will be 1/8" from edge of glass on opening side of door.*)



## 13 Caulk

Seal unit by caulking along outside of enclosure where metal and bath meet, especially where sill meets threshold. If desired, caulk inside of enclosure where jambs meet walls.

