

5FJ-P

Frameless Swing Door with Double In-Line Panels



Technical Assistance is available Monday - Friday, 8:00 a.m. - 5:00 p.m. (Central Time)

1-877-723-7190 (Toll Free)

PARTS LIST

FRAME PACKAGE

KEY	DESCRIPTION	PART	QTY
A	SILL	A855	1
B	JAMB	A942	2
C	HEADER	A101	1
D	MAGNETIC DOOR STOP	A993	1
S	VINYL DOOR SEAL	V678	1
V	VINYL DRIP RAIL SWEEP	V001	1

HARDWARE BAG

J	8A X 1 PAN HEAD SCREW	H475	8
K	8A X 3/8 TRUSS HEAD SCREW	H470	24
L	ANCHORS	H002	8
E	PUSH/PULL HANDLE KIT	HSAD	1
	PLASTIC WASHER		4
	BUSHING		2
	EXTERIOR PULL HANDLE		1
	INTERIOR PULL HANDLE		1
	HANDLE CONNECTOR SCREW		2
F	MAGNETIC CATCH KIT	HKMAGCH	1
	MAGNET HOLDER WITH MAGNET	HMAH / HG92	1
	METAL SLIDE	HA75	1
	HANDLE VINYL	V208	1

TOOLS NEEDED

1/8" Drill Bit
 3/16" Drill Bit
 (3/16" Masonry Bit
 for Ceramic Tile)
 Scratch Awl
 Measuring Tape
 Hacksaw
 Phillips Screw Driver
 Caulking Compound
 File
 Drill
 Level
 Masking Tape

Before starting installation of your new enclosure, carefully read all instructions and lay out parts to become familiar with their identity.

USE OF ANCHORS

Anchors are furnished with every enclosure. However, the use of anchors is not recommended when attaching your enclosure to a fiberglass unit or wall surrounds with board reinforced mounting areas. Mounting holes in this case should be drilled with an 1/8" drill bit.

Mounting this unit on tile requires the use of anchors. Special care must be taken not to crack the tile. Before drilling holes in the tile, lightly chip glazed surface of tile at the desired locations. Drill holes using a 3/16" masonry drill bit. Insert anchors into the holes making certain that ring on large end of anchor meets the surface of the tile.

CAUTION

Do not attempt to cut mirrors or glass used in this enclosure. Tempered glass and mirrors will shatter if cut.

Care should be taken when standing raw glass on its edge. Glass may shatter if corners are bumped or edge is rested on a rough floor surface. Cardboard, wood blocks, or a similar surface is a safe resting surface for glass.

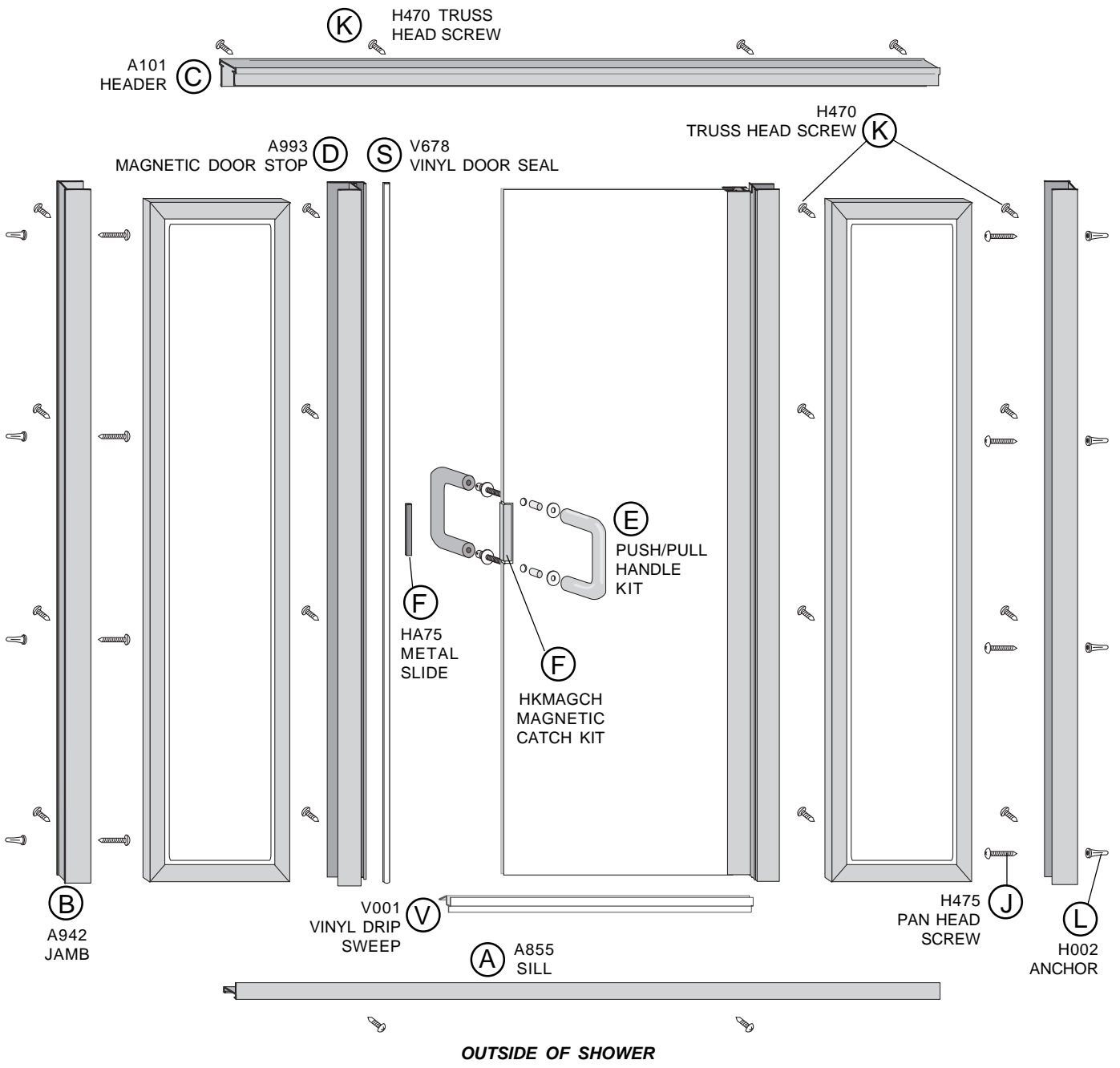
CLEANING

Cleaning and care of your enclosure is important to its lasting beauty. A nonabrasive liquid cleaner is recommended.

Never use scouring powder or pads.

SEALING

Seal unit by caulking along outside of enclosure where metal and bath meet, especially where sill meets threshold. If desired, caulk inside of enclosure where jambs meet walls.



Care should be taken when standing raw glass on its edge. Glass may shatter if corners are bumped or edge is rested on a rough floor surface. Cardboard, wood blocks, or a similar surface is a safe resting surface for glass.

(J) 8A x 1 Pan Head Screw
(H475 - Used for Jambs)

(K) 8A x 3/8 Truss Head Screw
(H470 - Used for securing Magnetic and Hinge Door Stops)

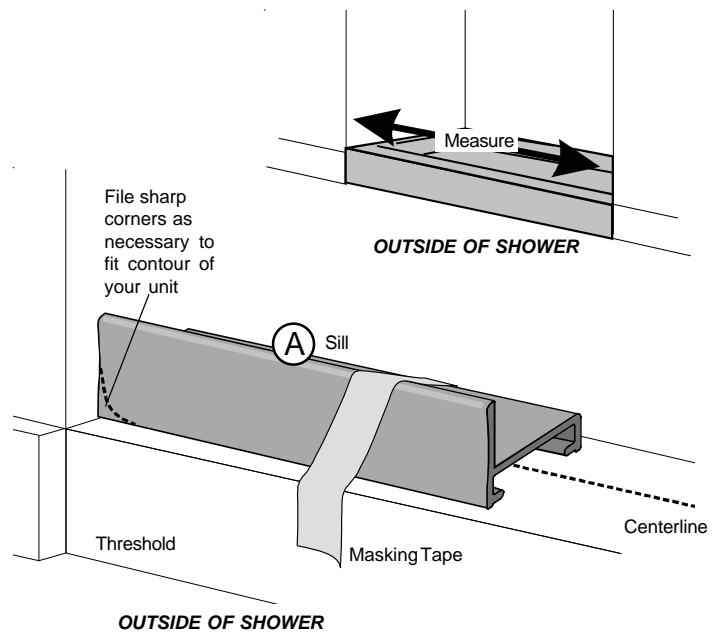
1

Sill (A)

Due to the manufacturing process, there may be rack marks present at one end of your sill and header. Sill and header must be trimmed to fit your individual opening. When cutting sill and header, make certain to trim off end with rack marks.

Measure opening at threshold of shower and cut **sill (A)** to that measurement. If necessary, file corner of sill to fit contour of your unit.

Position sill on centerline of threshold with tall edge of sill toward outside of shower. Tape sill to threshold with masking tape to hold in place while positioning jambs.



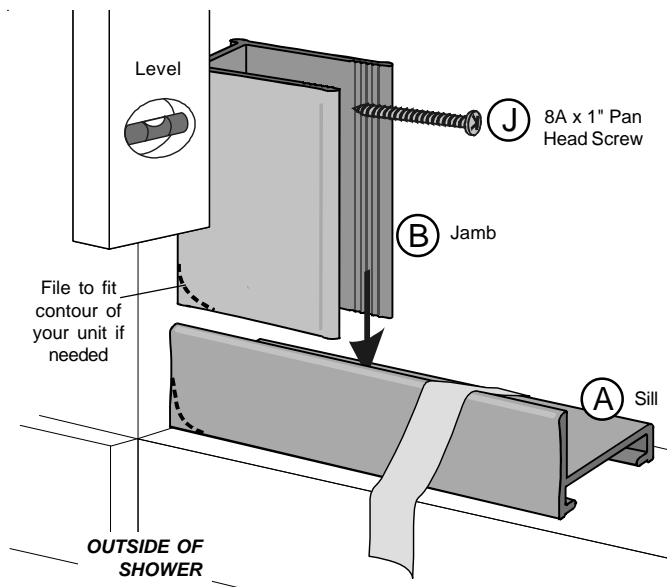
2

Jambs (B)

When anchors (L) are used, holes should be drilled using 3/16" drill bit. (Use masonry bit for tile.)

Place one **jamb (B)** on sill with short legs against wall. Align jamb vertically on wall using a level and mark wall through prepunched holes. If necessary, file back edge (short legs) of jambs to fit contour of your unit. Remove jamb and drill where marked using 1/8" drill bit. Repeat for remaining jamb on opposite wall.

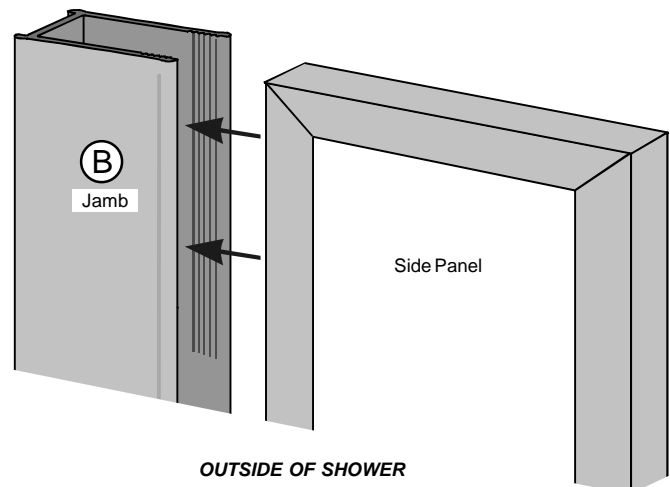
Reposition jambs and mount to wall using **8A x 1" pan head screws (J)**.



3

Side Panels

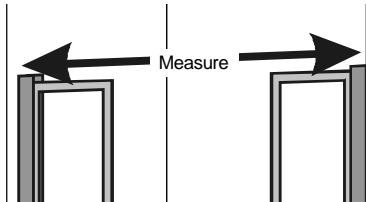
Insert **side panels** into wall jambs with bottom of each panel resting on sill. Only position side panels at this time. Parts will be drilled and secured after door is in place and adjustments have been made for proper alignment.



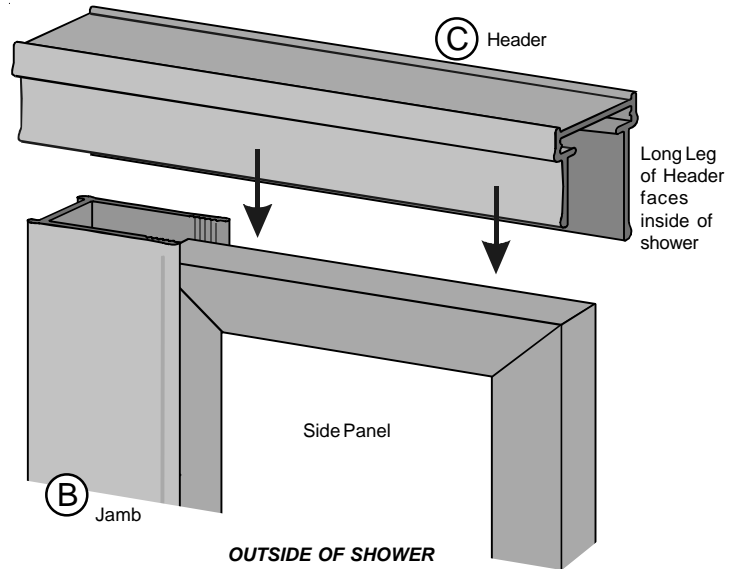
4 Header (C)

Measure from wall to wall over the top of both jambs and cut **header (C)** to that measurement.

Position header so that long leg is toward inside of shower. Lower into place over jambs and side panels. This will provide stability while positioning door stops and door.



OUTSIDE OF SHOWER

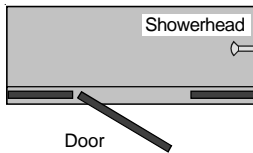


5 Magnetic Door Stop (D)

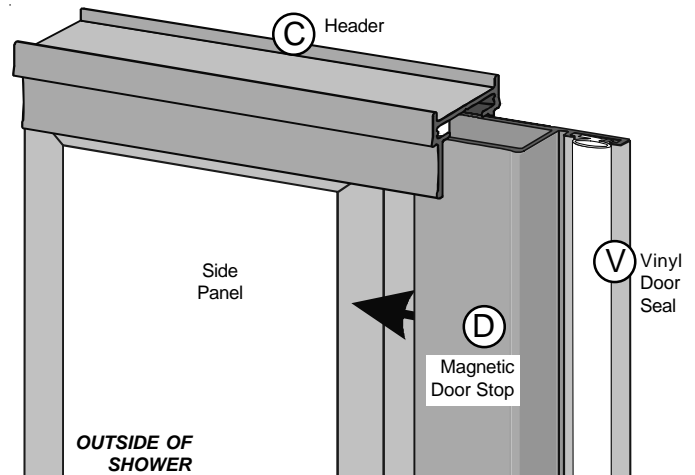
Choose which will be the opening side of your door. Door is normally installed to open on side nearest to showerhead.

Slide **magnetic door stop (D)** into jamb or double channel on opening side of door, making certain that **vinyl door seal (S)** faces outside of shower.

Door is normally installed to open nearest showerhead.



Door

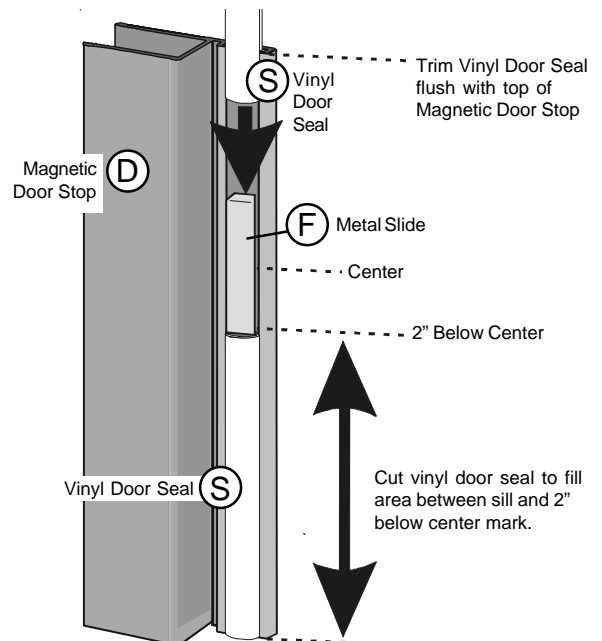


6 Magnetic Catch Kit (F)

Vinyl door seal must be removed, trimmed into two pieces, and replaced in open channel of magnetic door stop with **metal slide (F)** (attached to magnet in **magnetic catch kit (F)**) in between vinyl pieces.

Remove **vinyl door seal** from channel. Mark center of magnetic door stop. Trim vinyl door seal to fill open channel of door stop from sill to 2" below center mark.

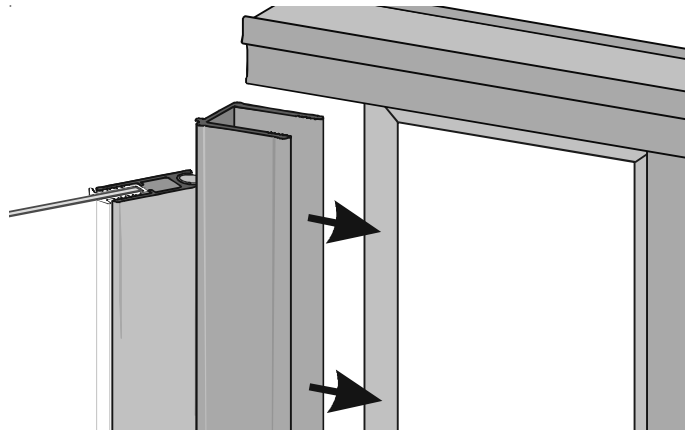
Insert metal slide (attached to magnet in magnetic catch kit) in channel on top of vinyl. Insert remaining piece of vinyl in channel on top of metal slide. Trim vinyl flush with door stop at top of unit.



7

Hinge Door Stop / Door Panel

Slide **hinge door stop**, which is attached to **door panel**, on opposite side from magnetic door stop. For safety purposes, door should be installed to open out from shower.



8

Securing Verticals

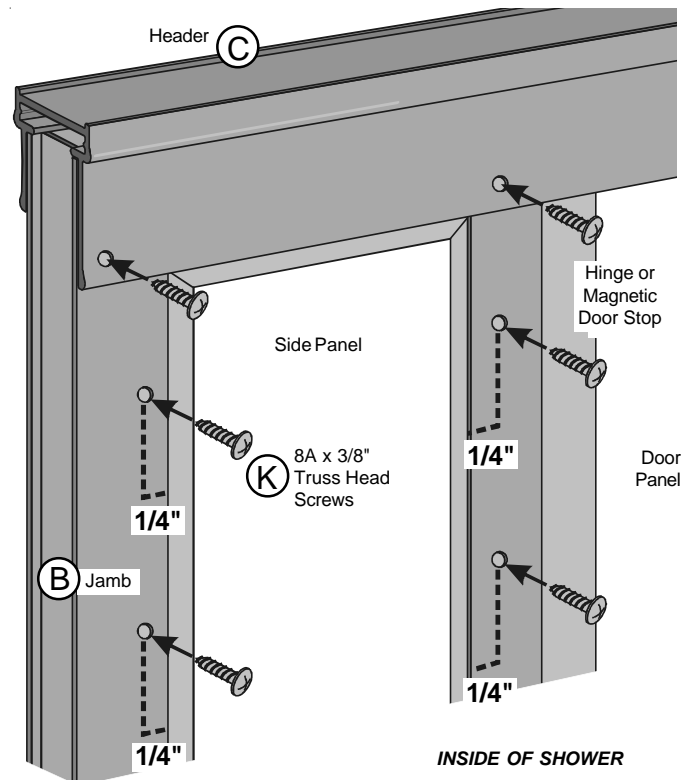
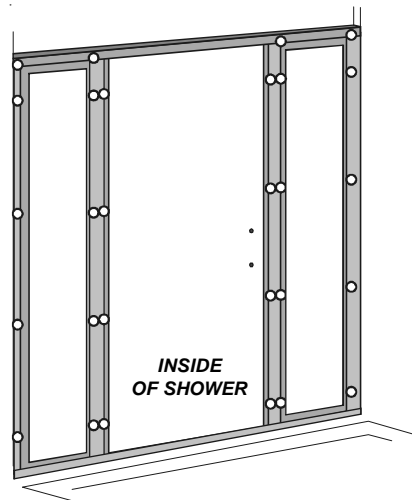
When securing parts together, work from inside of shower. Do not drill through to front (outside) surface. Do not hit glass with drill bit. Glass is seated approximately 1/2" into channel.

Adjust alignment of door panel, magnetic door stop, double channel, and in-line panel so that magnetic catch aligns evenly and door closes with an even reveal of space at top and bottom of door glass.

Once desired alignment of parts has been achieved, working from inside of shower, drill four evenly spaced holes through leg of jambs (1/4" from edge) into panel and door stop. Secure using **8A x 3/8" truss head screws (K)**.

Secure double channel in same manner by drilling, from inside of shower, four evenly spaced holes 1/4" from edge of double channel into panel and door stop. Secure using 8A x 3/8" truss head screws.

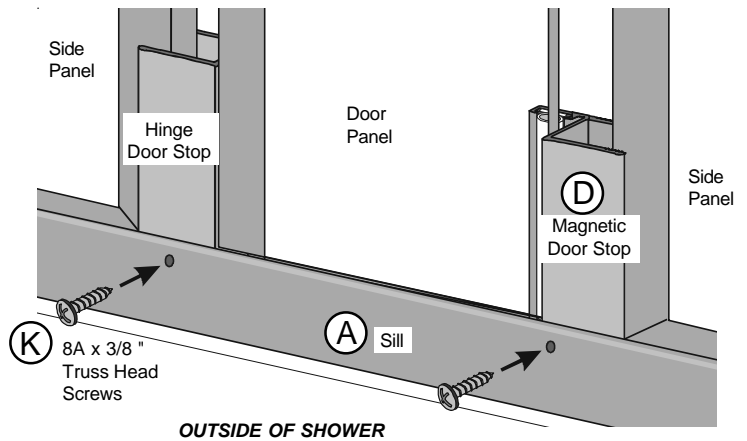
Secure header by drilling, from inside of shower, through header into jambs and double channel. Secure using 8A x 3/8" truss head screws.



9

Securing Verticals

Secure sill by drilling, from outside shower, through sill into magnetic door stop and hinge stop. Secure using 8A x 3/8" truss head screw.



10

Push / Pull Handle Kit (E)

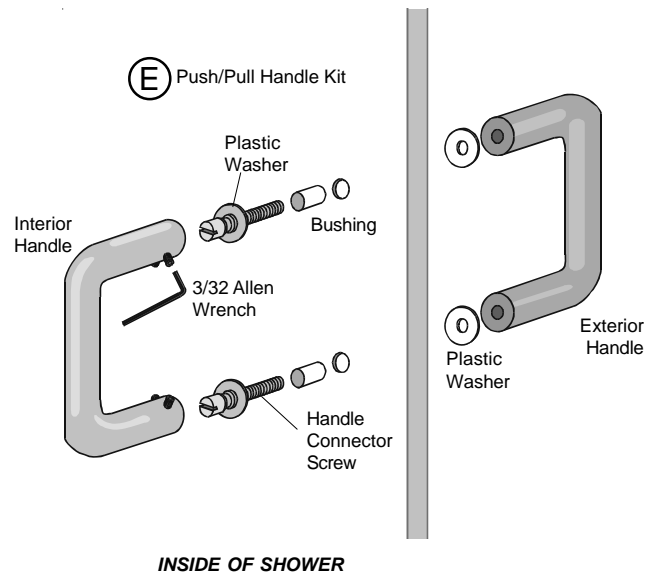
Handles will be mounted on glass before hanging door panel.

Push / Pull handle kit (E) comes with parts assembled in the order they will be once installed on glass. Disassemble parts.

Place **bushings** in holes in glass. Trim as needed so that bushings are flush with surface of glass. Place one **plastic washer** on each **connector screw** and insert screws (from inside surface of glass) through bushings in glass.

Place second plastic washer on exposed end of connector screws on outside surface of glass. Holding **exterior handle** in place on outside surface of glass, tighten connector screw to secure handle.

On inside surface of glass, slip **interior handle** over connector screws and tighten with **3/32" allen wrench**.

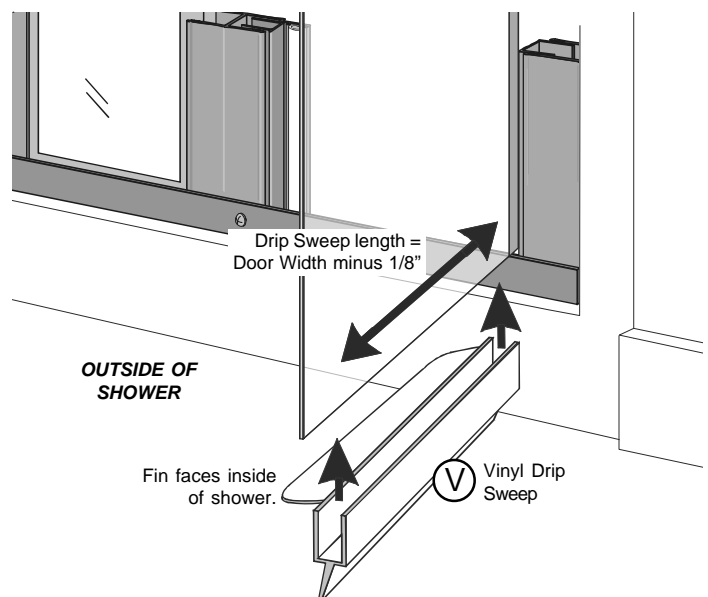


11

Vinyl Drip Sweep (V)

Measure width of door glass at bottom. Trim **vinyl drip sweep (V)** to door glass width minus 1/8". Trim only from hinge end of drip sweep. Contour cut end of drip sweep fin to remove sharp point.

Press drip sweep onto bottom edge of door glass with fin facing inside of shower and edge of drip sweep flush with edge of glass on hinge side of door. (*Drip sweep will be 1/8" from edge of glass on opening side of door.*)



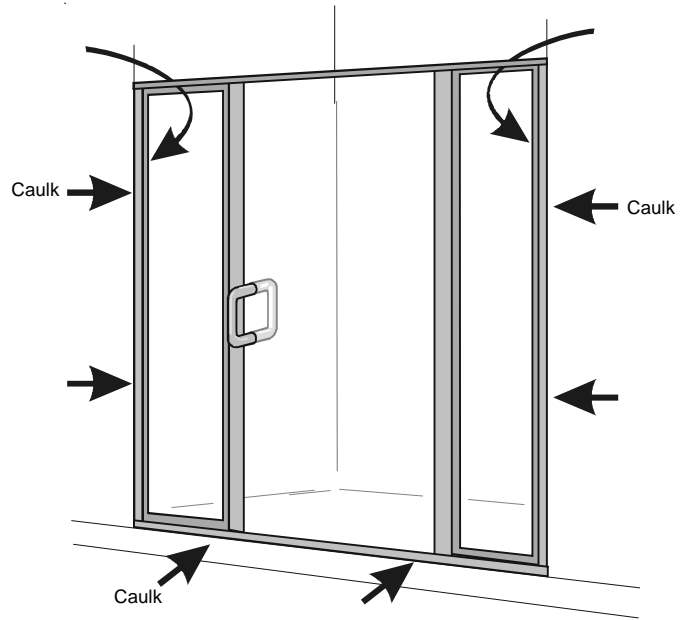
12

Caulking

The use of a caulking compound will assure a watertight seal.

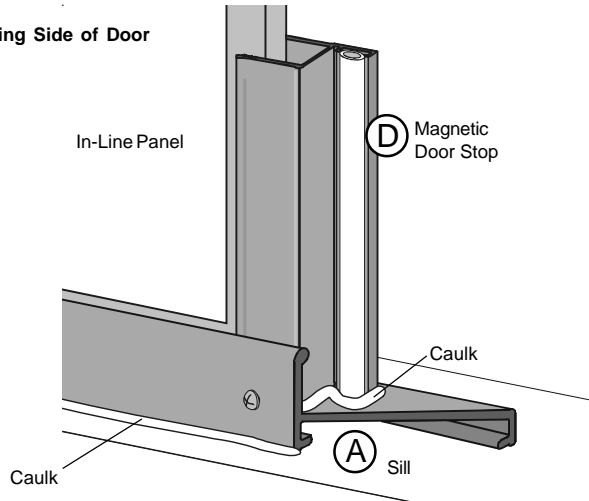
Apply caulk along outside edge of enclosure where metal and shower meet, especially where sill meets threshold. If desired, caulk inside of enclosure where jambs meet walls.

On opening side of door, caulk joint on sill where magnetic door stop and sill meet. On opposite side, caulk where hinge door stop and sill meet.



OUTSIDE OF SHOWER

Opening Side of Door



Hinge Side of Door

