

063-GP

Swing Door with In-Line Panel



Technical Assistance is available Monday - Friday, 8:00 a.m. - 5:00 p.m. (Central Time)
1-877-723-7190 (Toll Free)

PARTS LIST

FRAME PACKAGE

KEY	DESCRIPTION	PART	QTY
A	SILL	A855	1
B	JAMB	A942	2
C	HEADER	A101	1
D	DOUBLE CHANNEL	A911	1
E	DRIP RAIL	A710 / V667	1
F	MAGNETIC DOOR STOP	A954	1
G	DRIP RAIL VINYL	VS91	1
H	MAGNETIC STRIP	H170	1
I*	DRIP RAIL TAPE	HT52	1

HARDWARE BAG

P	DRIP RAIL PLUG	HA28	1
J	8A X 1 PAN HEAD SCREW	H475	8
K	8A X 3/8 TRUSS HEAD SCREW	H470	22
L	ANCHORS	H002	8
M +	PULL HANDLE KIT	HSAD	
	6-32 X 1 1/4 PAN HEAD SCREW	H485	2
	EXTERIOR PULL HANDLE	HA31	1
	INTERIOR PULL HANDLE	HA32	1

* Pre-Installed

+ May be Pre-Installed

TOOLS NEEDED

1/8" Drill Bit
 3/16" Drill Bit
 (3/16" Masonry Bit for Ceramic Tile)
 Scratch Awl
 Measuring Tape
 Hacksaw
 Phillips Screw Driver
 Caulking Compound
 File
 Drill
 Level
 Masking Tape

Before starting installation of your new enclosure, carefully read all instructions and lay out parts to become familiar with their identity.

USE OF ANCHORS

Anchors are furnished with every enclosure. However, the use of anchors is not recommended when attaching your enclosure to a fiberglass unit or wall surround with board reinforced mounting areas. Mounting holes in this case should be drilled with an 1/8" drill bit.

Mounting this unit on tile requires the use of anchors. Special care must be taken not to crack the tile. Before drilling holes in the tile, lightly chip glazed surface of tile at the desired locations. Drill holes using a 3/16" masonry drill bit. Insert anchors into the holes making certain that ring on large end of anchor meets the surface of the tile.

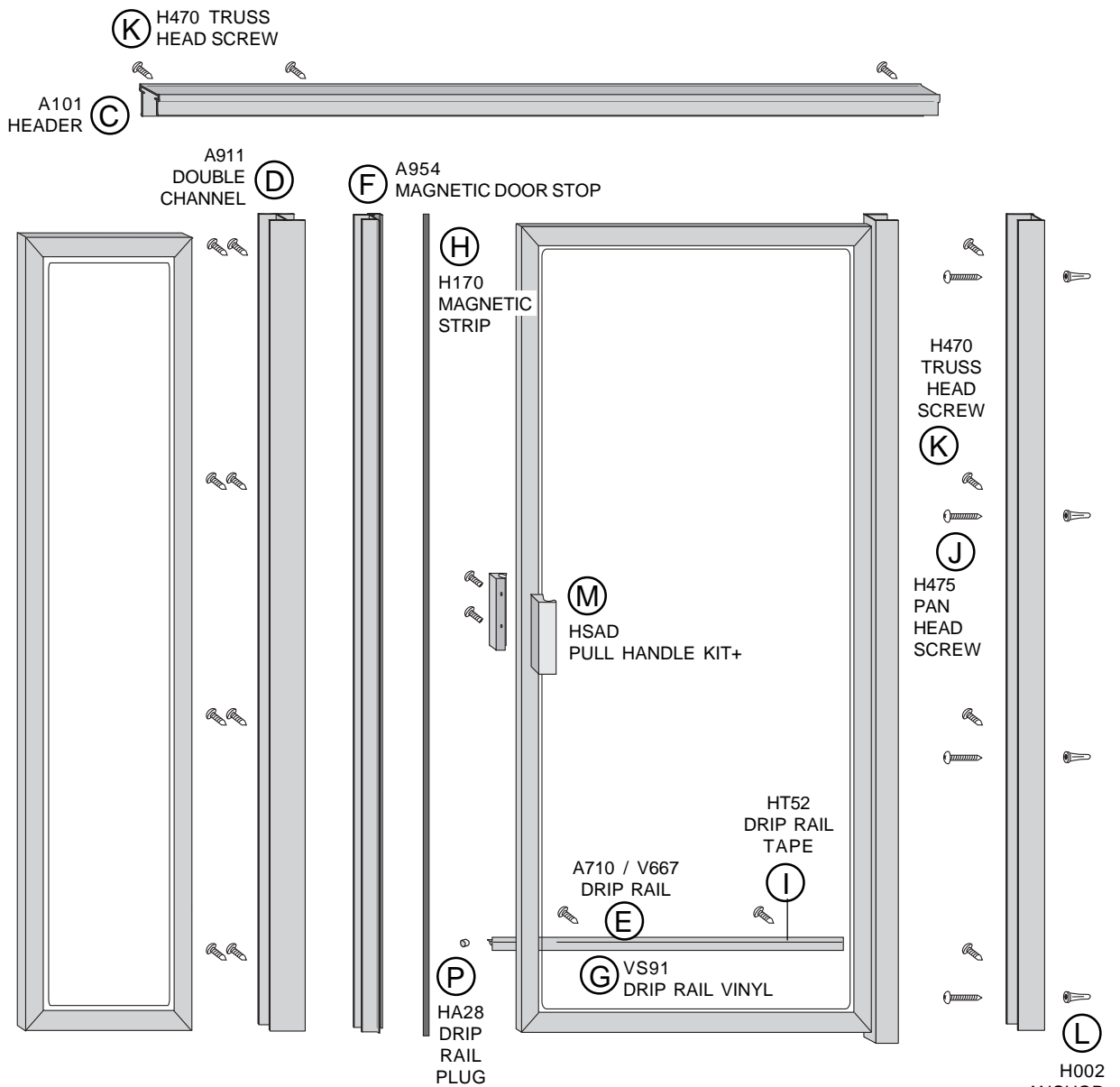
CLEANING

Cleaning and care of your enclosure is important to its lasting beauty. A nonabrasive liquid cleaner is recommended.
Never use scouring powder or pads.

SEALING

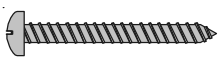
The use of a caulking compound can assure a water-tight seal when applied along outside edge of the enclosure where metal and bath meet. If desired, caulk inside of enclosure where jambs meet walls.

**Do not try to cut the mirrors or glass used in this enclosure.
 Tempered glass and mirrors will disintegrate if cut.**



OUTSIDE OF SHOWER

+ May be Pre-Installed


 (J) **8A x 1 Pan Head Screw**
 (H475 - Used for Jamb)


 (K) **8A x 3/8 Truss Head Screw**
 (H470 - Used for securing verticals, Header, Sill and Drip Rail.


 (M) **6-32 x 1 1/4 Pan Head Screw +**
 (H485 - Used for Pull Handle)

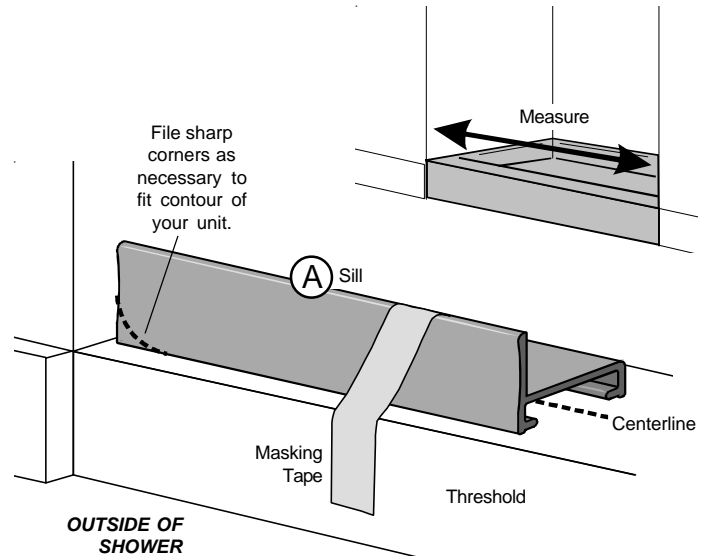
1

Sill (A)

Due to the manufacturing process, there may be rack marks present at one end of your sill and header. Sill and header must be trimmed to fit your individual opening. When cutting sill and header, make certain to trim off end with rack marks.

Measure opening at threshold of shower and cut **sill (A)** to that measurement. If necessary for a smooth fit, file sharp corners of sill to fit curved corners of your unit.

Mark centerline on threshold. Position sill on centerline with tall edge of sill toward outside of shower. Tape sill to threshold with masking tape to hold in place while positioning jambs.



2

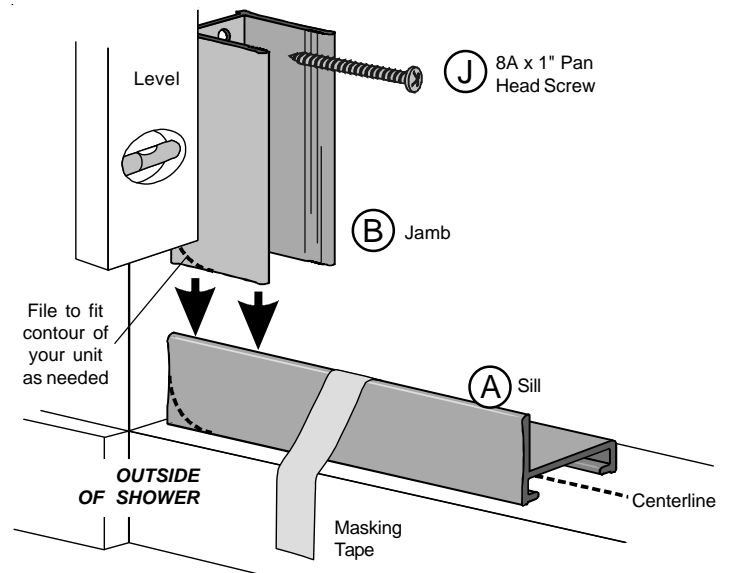
Jambs (B)

When anchors (L) are used, holes should be drilled using 3/16" drill bit. (Use masonry bit for tile.)

Place **jamb (B)** on sill with short legs against wall. If necessary for a smooth fit, file back edge (short legs) of jamb to fit contour of your unit.

Align jamb vertically on wall using a level. Mark wall through prepunched holes and remove jamb. Drill where marked using 1/8" drill bit. Repeat for remaining jamb on opposite wall.

Reposition jambs and mount to wall using **8A x 1" pan head screws (J)**.



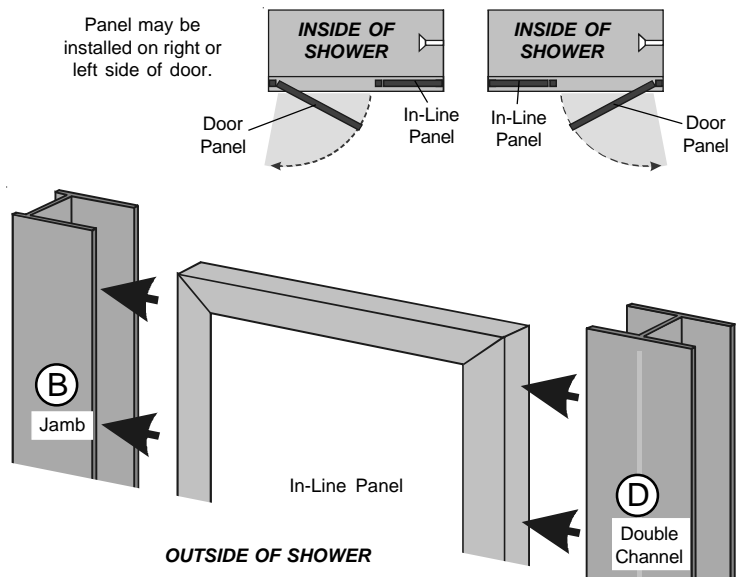
3

In-Line Panel / Double Channel (D)

Decide on the arrangement of your door panel and in-line panel. Panel may be installed on right or left side of door. Door is normally installed to open on side nearest to showerhead.

Insert panel into wall jamb with bottom of panel resting on sill. Only position panel at this time. Parts will be drilled and secured after door is in place and adjustments have been made for proper alignment.

Slide **double channel (D)** over in-line panel with bottom resting on sill.

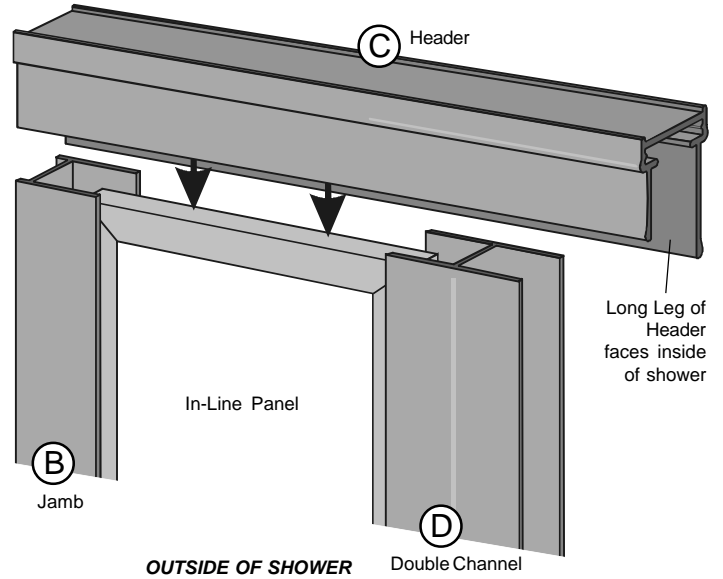
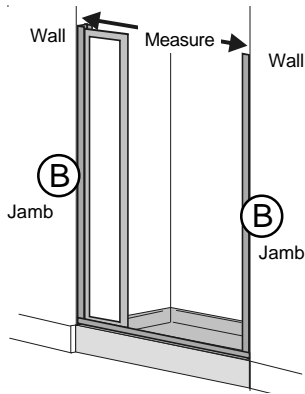


4

Header (C)

Measure from wall to wall over top of both jambs and cut **header (C)** to that measurement.

Position header so that long leg is toward inside of shower. Lower into place over jambs and panel.



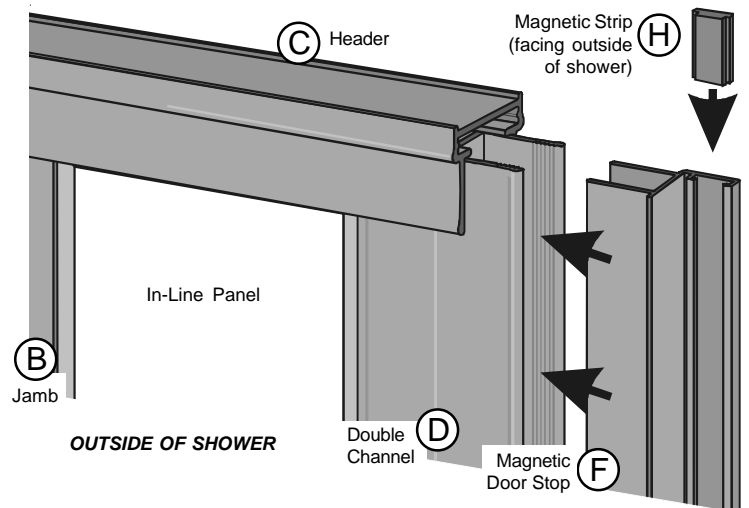
5

Magnetic Door Stop (F)

Slide **magnetic strip (H)** into slot on **magnetic door stop (F)**. Trim ends even with door stop using scissors.

Choose which will be the opening side of your door. Door is normally installed to open on side nearest to showerhead.

Slide magnetic door stop into jamb or double channel on opening side of door, making certain that magnetic strip faces outside of shower.

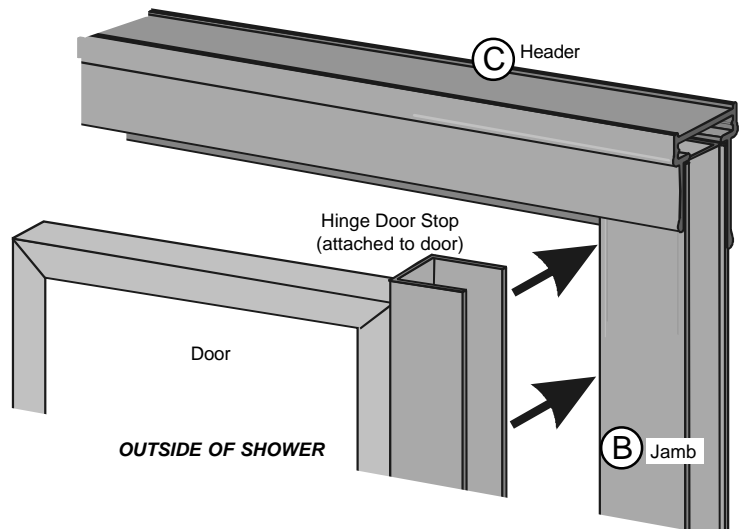


6

Hinge Door Stop / Door Panel

If magnetic strips do not seal tightly, reverse polarity by removing strip from door stop and replacing it with the previous top end as the bottom end.

Slide **hinge door stop**, which is attached to **door panel**, into jamb/double channel on opposite side from magnetic door stop. For safety purposes, door should be installed to open out from shower.



7

Aligning / Securing Verticals

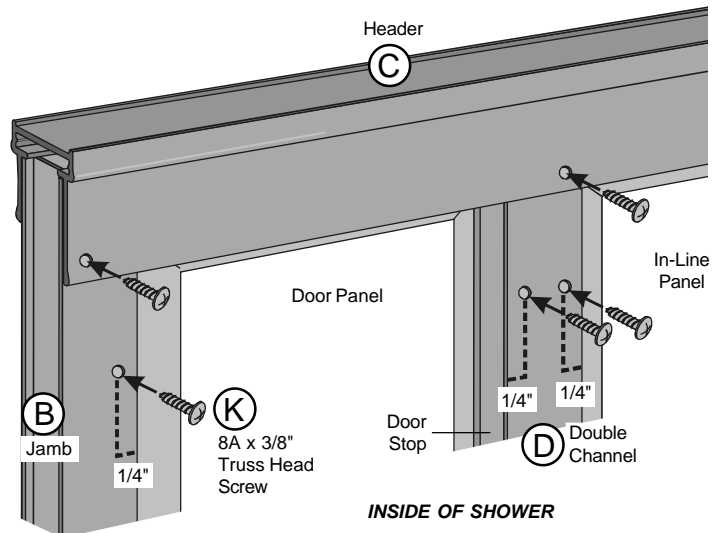
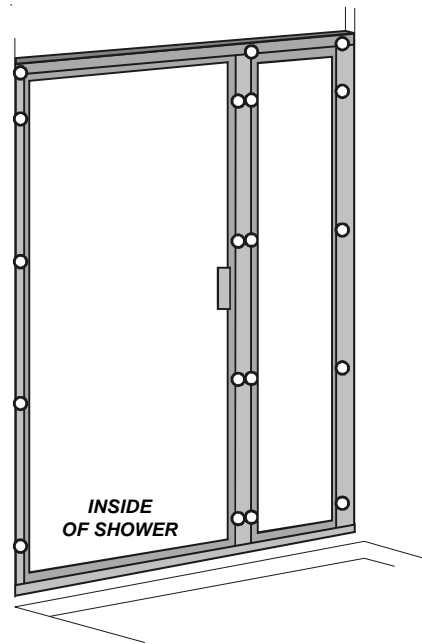
When securing parts together, work from inside of shower. Do not drill through to front (outside) surface. Do not hit glass with drill bit. Glass is seated approximately 1/2" into channel.

Adjust alignment of door panel, magnetic door stop, double channel, and in-line panel so that magnetic strips align evenly and door closes with an even gap.

Once desired alignment of parts has been achieved, *working from inside of shower*, drill four evenly spaced holes through leg of jambs (1/4" from edge) into panel and door stop. Secure using **8A x 3/8" truss head screws (K)**.

Secure double channel in same manner by drilling, *from inside of shower*, four evenly spaced holes 1/4" from edge of double channel into panel and door stop. Secure using 8A x 3/8" truss head screws.

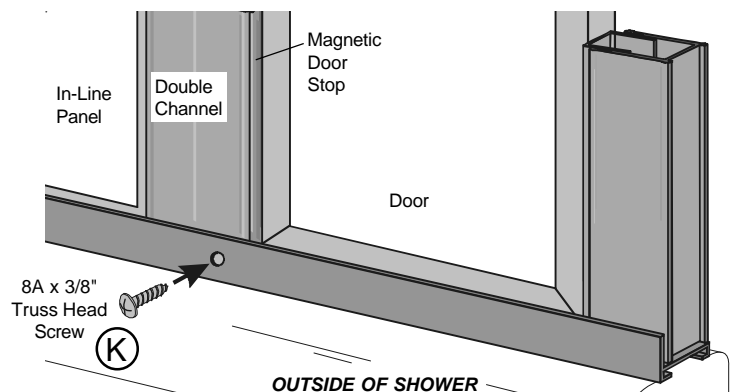
Secure header by drilling, *from inside of shower*, through header into jambs and double channel. Secure using 8A x 3/8" truss head screws.



8

Securing Sill

Working from outside of shower, drill through sill into double channel. Secure using 8A x 3/8" truss head screw.

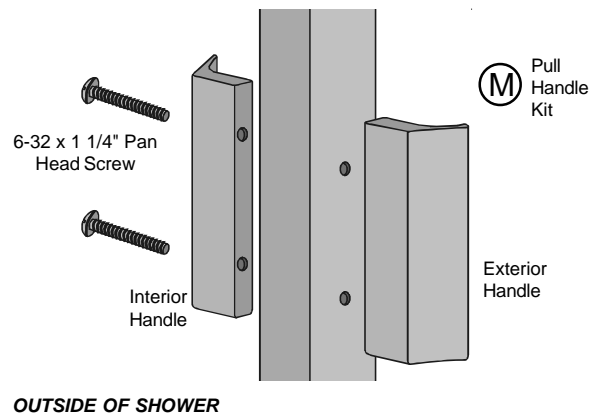


9

Pull Handle Kit (M)

Handle for your door may be pre-installed. If so, disregard this step and continue installation.

Mount pull handles, from **pull handle kit (M)**, using **6-32 x 1 1/4" pan head screws** provided. Screw heads should be on the inside of shower.



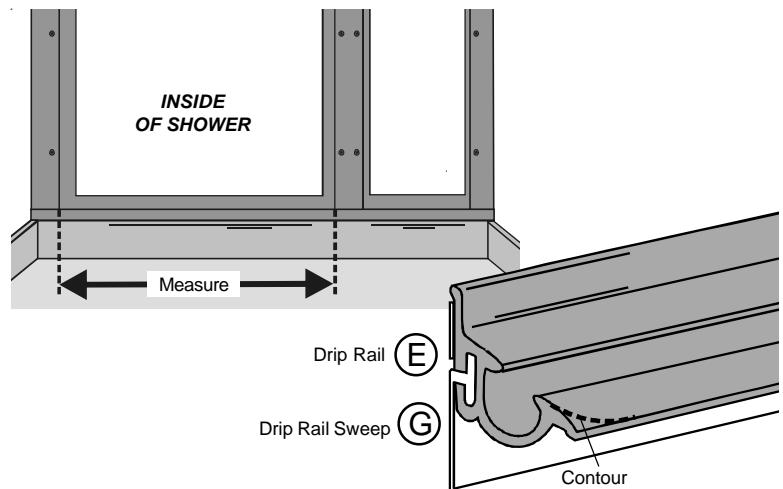
10a

Drip Rail (E)

From inside shower, measure width of door panel at bottom. **Drip rail (E)** should be 1/2" shorter than door panel width. If longer, cut to proper length.

For one-piece vinyl drip rail (V667), continue with Step 10b.

Slide **vinyl sweep (G)** into slot on back of drip rail. Trim ends even with edges of drip rail. Smooth cut end of drip cap fin with a file to remove sharp point.



10b

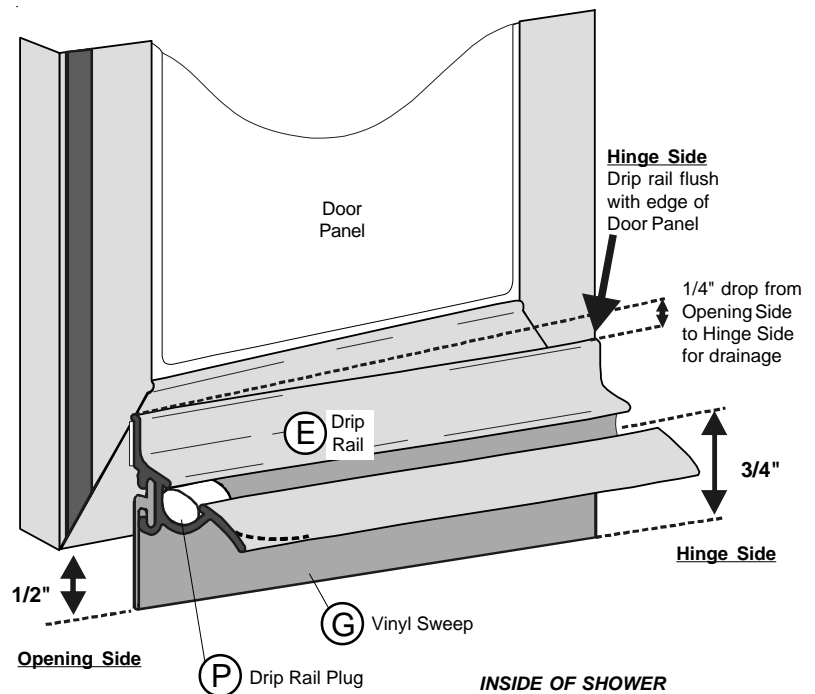
Drip Rail (E)

Clean bottom channel of door before mounting drip rail. After mounting, do not remove or reposition. Allow 72 hours curing time for maximum bond.

Position drip rail on inside surface of door panel as described below:

- **Side-to-side placement:** Edge of drip rail should be flush with edge of door panel on hinge side of door.
- **Vertical placement:** Vinyl sweep should extend 1/2" below bottom of door panel on **opening side**. Angle drip rail so that vinyl sweep extends 3/4" below bottom of door panel on **hinge side**. This will create an 1/4" slope from opening to hinge side for water drainage.

Mark position. Remove drip rail from door. Peel protective cover from tape, and press into place. Insert **drip rail plug (P)** into groove of drip rail on opening side of door.



Drip rail may be additionally secured using 8A x 3/8" truss head screws. When drilling in door panel, make certain drill does not hit glass. Glass is seated approximately 1/2" into channel.

11

Caulking

The use of a caulking compound will assure a watertight seal.

Apply caulk along outside edge of enclosure where metal and shower meet, especially where sill meets threshold. If desired, caulk inside of enclosure where jambs meet walls.

On opening side of door, caulk joint on sill where magnetic door stop and sill meet. On opposite side, caulk where hinge door stop and sill meet.

