

**0FJ-P**

**Frameless Swing Door with In-Line Panel**



**Technical Assistance is available Monday - Friday, 8:00 a.m. - 5:00 p.m. (Central Time)**  
**1-877-723-7190 (Toll Free)**

# PARTS LIST

## FRAME PACKAGE

KEY	DESCRIPTION	PART	QTY
A	SILL	A855	1
B	JAMB	A942	2
C	HEADER	A101	1
D	DOUBLE CHANNEL	A911	1
E	MAGNETIC DOOR STOP	A954	1
F	VINYL DRIP SWEEP	V001	1
V	VINYL DOOR SEAL	V678	1

## HARDWARE BAG

J	8A X 1 PAN HEAD SCREW	H475	8
K	8A X 3/8 TRUSS HEAD SCREW	H470	22
L	ANCHORS	H002	8
M	MAGNETIC CATCH KIT	HKMAGCH	1
	MAGNET HOLDER WITH MAGNET	HMAH / HG92	1
	METAL SLIDE	HA75	1
	HANDLE VINYL	V208	1
P	PUSH/PULL HANDLE KIT	HTG6	1
	PLASTIC WASHER		4
	EXTERIOR PULL HANDLE		1
	INTERIOR PULL HANDLE		1
	BUSHING		2
	HANDLE CONNECTOR SCREW		2

## TOOLS NEEDED

1/8" Drill Bit  
 3/16" Drill Bit  
 (3/16" Masonry Bit for Ceramic Tile)  
 Scratch Awl  
 Measuring Tape  
 Hacksaw  
 Phillips Screw Driver  
 Caulking Compound  
 File  
 Drill  
 Level  
 Masking Tape

**Before starting installation of your new enclosure, carefully read all instructions and lay out parts to become familiar with their identity.**

### USE OF ANCHORS

Anchors are furnished with every enclosure. However, the use of anchors is not recommended when attaching your enclosure to a fiberglass unit or wall surrounds with board reinforced mounting areas. Mounting holes in this case should be drilled with an 1/8" drill bit.

Mounting this unit on tile requires the use of anchors. Special care must be taken not to crack the tile. Before drilling holes in the tile, lightly chip glazed surface of tile at the desired locations. Drill holes using a 3/16" masonry drill bit. Insert anchors into the holes making certain that ring on large end of anchor meets the surface of the tile.

### CAUTION

Do not attempt to cut mirrors or glass used in this enclosure. Tempered glass and mirrors will shatter if cut.

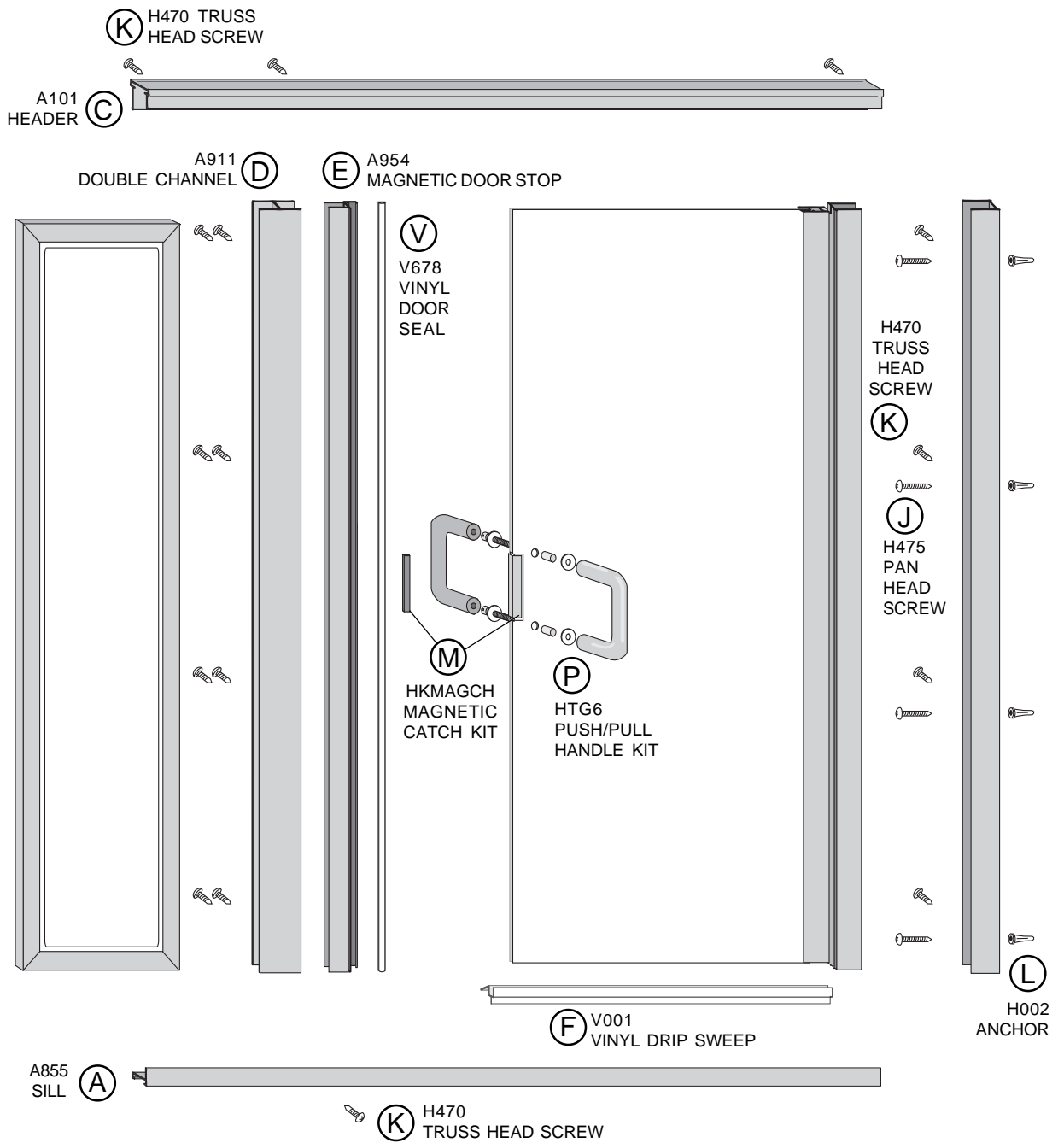
Care should be taken when standing raw glass on its edge. Glass may shatter if corners are bumped or edge is rested on a rough floor surface. Cardboard, wood blocks, or a similar surface is a safe resting surface for glass.

### CLEANING

Cleaning and care of your enclosure is important to its lasting beauty. A nonabrasive liquid cleaner is recommended.  
*Never use scouring powder or pads.*

### SEALING

Seal unit by caulking along outside of enclosure where metal and bath meet, especially where sill meets threshold. If desired, caulk inside of enclosure where jambs meet walls.



**OUTSIDE OF SHOWER**

Care should be taken when standing raw glass on its edge. Glass may shatter if corners are bumped or edge is rested on a rough floor surface. Cardboard, wood blocks, or a similar surface is a safe resting surface for glass.



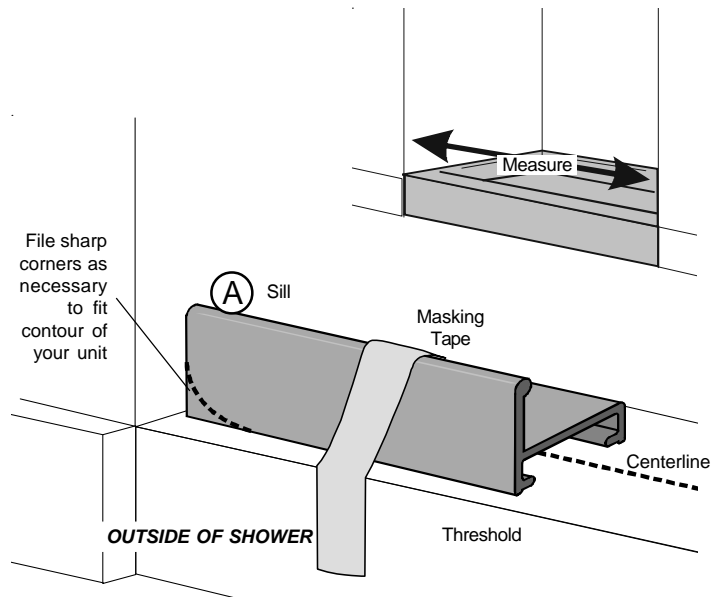
1

Sill (A)

Due to the manufacturing process, there may be rack marks present at one end of your sill and header. Sill and header must be trimmed to fit your individual opening. When cutting sill and header, make certain to trim off end with rack marks.

Measure opening at threshold of shower and cut sill (A) to that measurement. If necessary, file sharp corners to fit contour of your unit.

Mark centerline on threshold. Position sill on centerline with tall edge of sill toward outside of shower. Tape sill to threshold with masking tape to hold in place while positioning jambs.



2

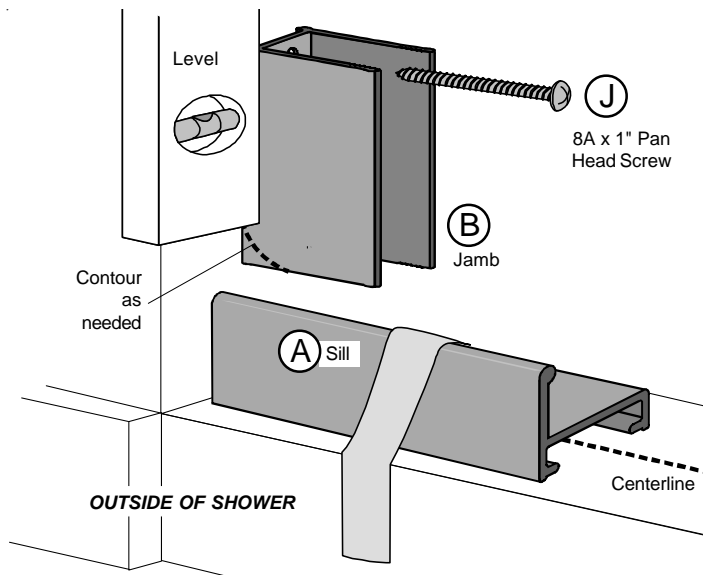
Jambs (B)

When anchors (L) are used, holes should be drilled using 3/16" drill bit. (Use masonry bit for tile.)

Place jamb (B) on sill with short legs against wall. If necessary for a smooth fit, file back edge (short legs) of jamb to fit contour of your unit.

Align jamb vertically on wall using a level. Mark wall through prepunched holes and remove jamb. Drill where marked using 1/8" drill bit. Repeat for remaining jamb on opposite wall.

Reposition jambs and mount to wall using 8A x 1" pan head screws (J).



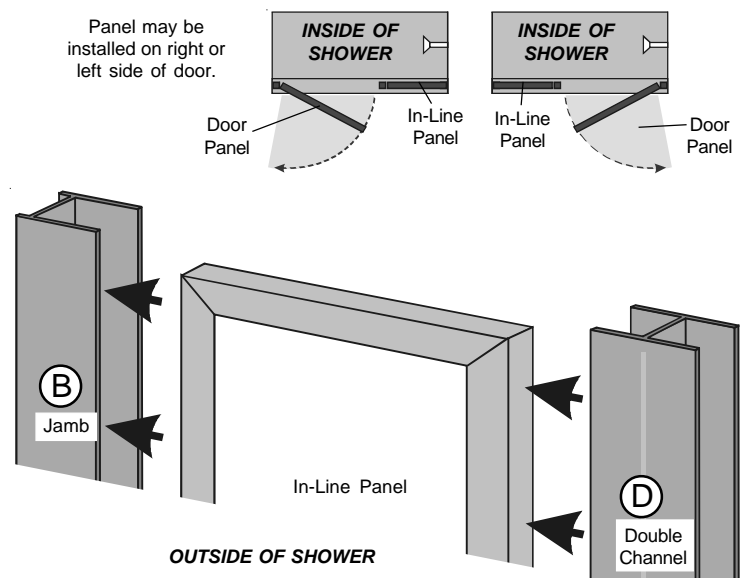
3

In-Line Panel / Double Channel (D)

Decide on the arrangement of your door panel and in-line panel. Panel may be installed on right or left side of door. Door is normally installed to open on side nearest to showerhead.

Insert panel into wall jamb with bottom of panel resting on sill. Only position panel at this time. Parts will be drilled and secured after door is in place and adjustments have been made for proper alignment.

Slide double channel (D) over in-line panel with bottom resting on sill.

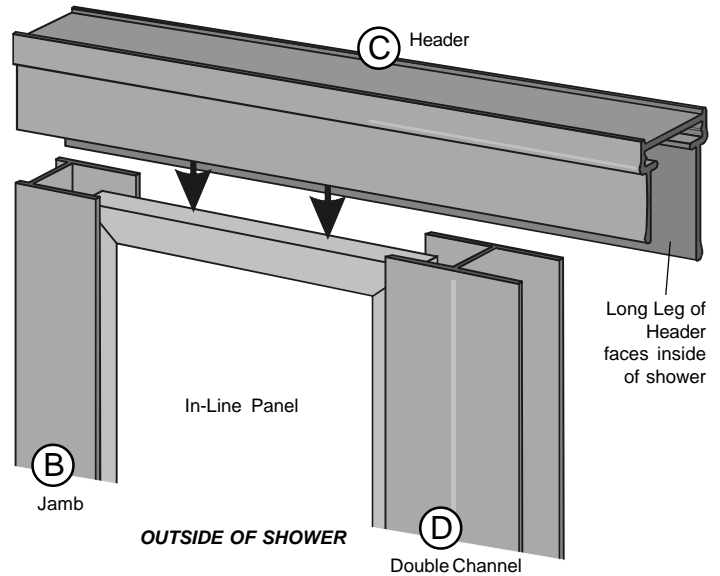
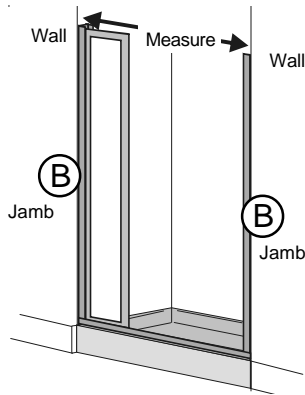


4

Header (C)

Measure from wall to wall over top of both jambs and cut **header (C)** to that measurement.

Position header so that long leg is toward inside of shower. Lower into place over jambs and panel.

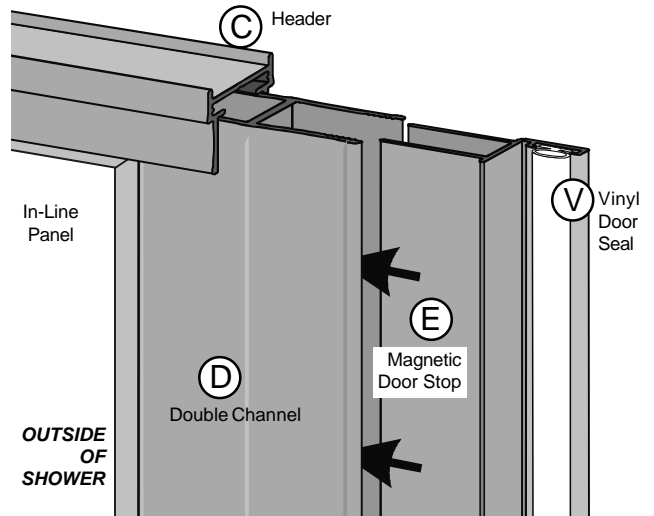


5

Magnetic Door Stop (E)

Choose which will be the opening side of your door. Door is normally installed to open on side nearest to showerhead.

Slide **magnetic door stop (E)** into jamb or double channel on opening side of door, making certain that **vinyl door seal (V)** faces outside of shower.



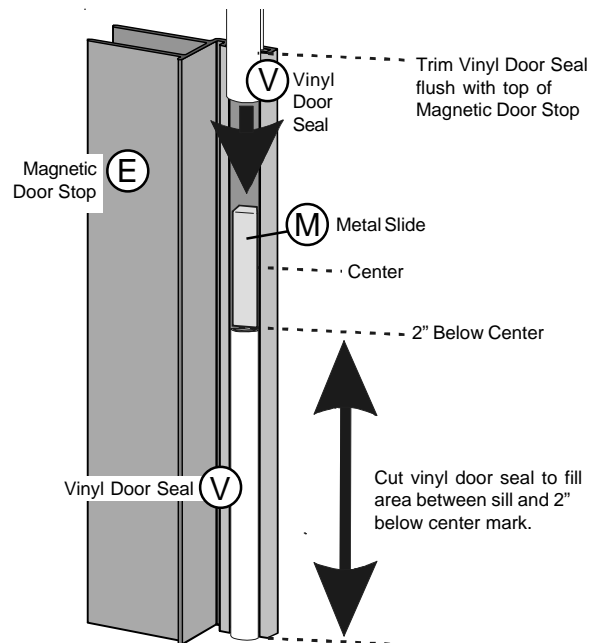
6

Magnetic Catch Kit (M)

Vinyl door seal must be removed, trimmed into two pieces, and replaced in open channel of magnetic door stop with **metal slide** (attached to magnet in **magnetic catch kit (M)**) in between vinyl pieces.

Remove **vinyl door seal** from channel. Mark center of magnetic door stop. Trim vinyl door seal to fill open channel of door stop from sill to 2" below center mark.

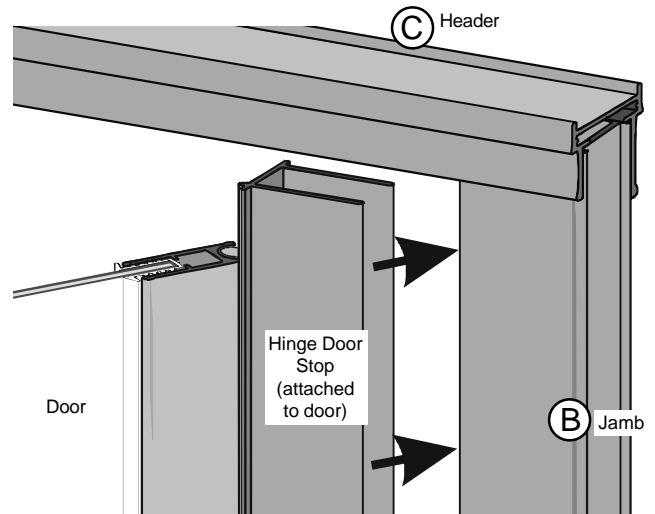
Insert metal slide (attached to magnet in magnetic catch kit) in channel on top of vinyl. Insert remaining piece of vinyl in channel on top of metal slide. Trim vinyl flush with door stop at top of unit.



7

## Hinge Door Stop / Door Panel

Slide **hinge door stop**, which is attached to **door panel**, into jamb/double channel on opposite side from magnetic door stop. For safety purposes, door should be installed to open out from shower.



OUTSIDE OF SHOWER

8

## Aligning / Securing Verticals

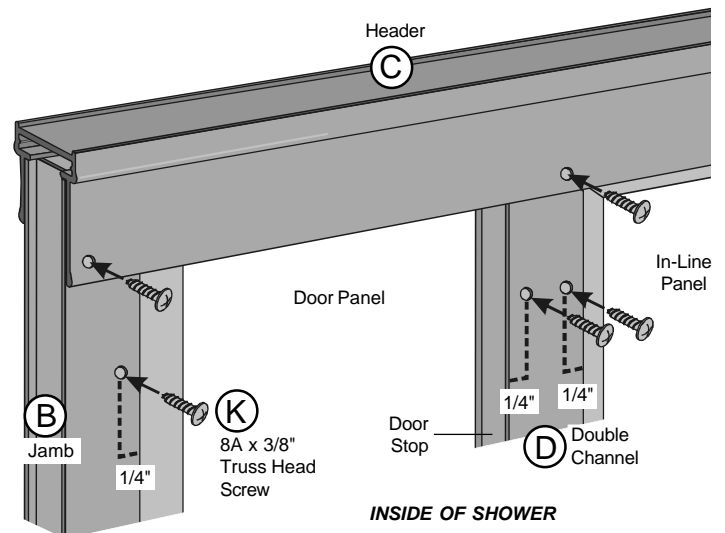
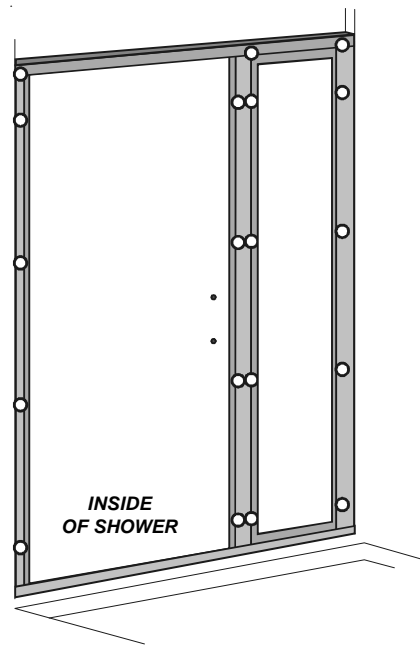
**When securing parts together, work from inside of shower. Do not drill through to front (outside) surface. Do not hit glass with drill bit. Glass is seated approximately 1/2" into channel.**

Adjust alignment of door panel, magnetic door stop, double channel, and in-line panel so that magnetic catch aligns evenly and door closes with an even reveal of space at top and bottom of door glass.

Once desired alignment of parts has been achieved, working from inside of shower, drill four evenly spaced holes through leg of jambs (1/4" from edge) into panel and door stop. Secure using **8A x 3/8" truss head screws (K)**.

Secure double channel in same manner by drilling, from inside of shower, four evenly spaced holes 1/4" from edge of double channel into panel and door stop. Secure using 8A x 3/8" truss head screws.

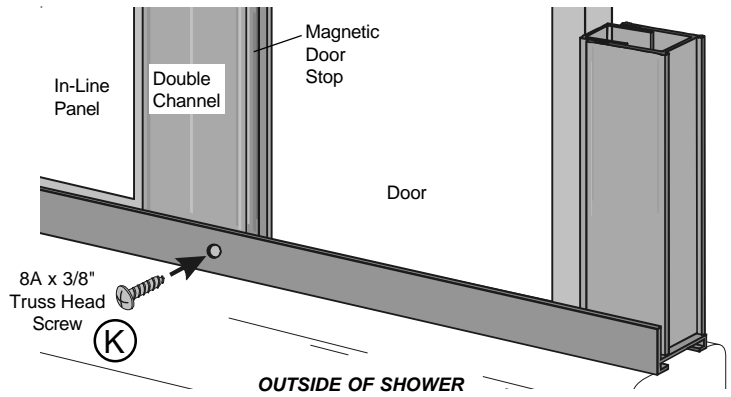
Secure header by drilling, from inside of shower, through header into jambs and double channel. Secure using 8A x 3/8" truss head screws.



# 9

## Securing Verticals

*Working from outside of shower,* drill through sill into double channel. Secure using 8A x 3/8" truss head screw.



# 10

## Push / Pull Handle Kit (P)

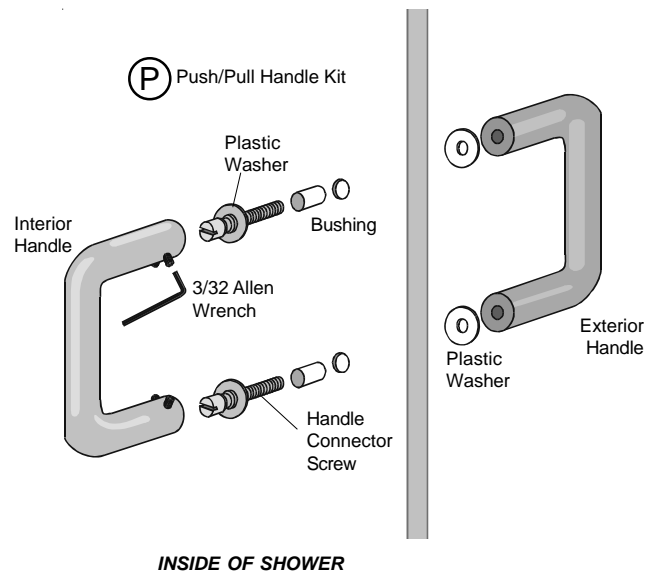
Handles will be mounted on glass before hanging door panel.

**Push / Pull handle kit (P)** comes with parts assembled in the order they will be once installed on glass. Disassemble parts.

Place **bushings** in holes in glass. Trim as needed so that bushings are flush with surface of glass. Place one **plastic washer** on each **connector screw** and insert screws (from inside surface of glass) through bushings in glass.

Place second plastic washer on exposed end of connector screws on outside surface of glass. Holding **exterior handle** in place on outside surface of glass, tighten connector screw to secure handle.

On inside surface of glass, slip **interior handle** over connector screws and tighten with **3/32" allen wrench**.

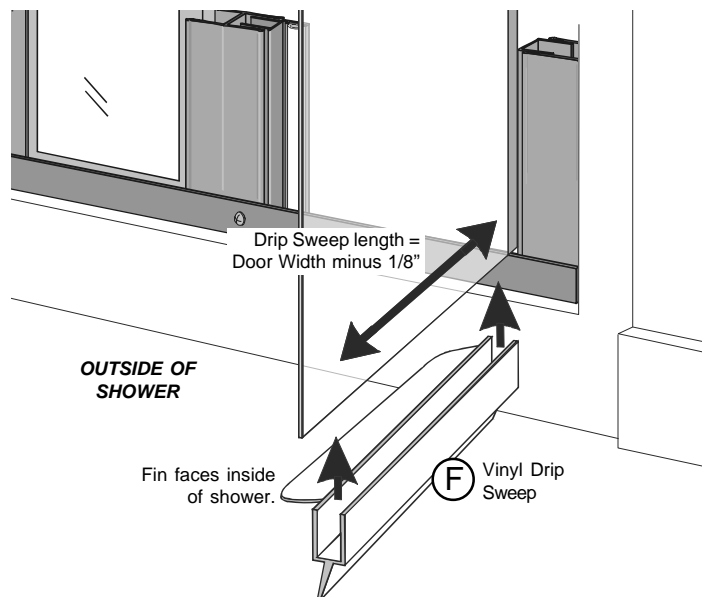


# 11

## Vinyl Drip Sweep (F)

Measure width of door glass at bottom. Trim **vinyl drip sweep (F)** to door glass width minus 1/8". Trim only from hinge end of drip sweep. Contour cut end of drip sweep fin to remove sharp point.

Press drip sweep onto bottom edge of door glass with fin facing inside of shower and edge of drip sweep flush with edge of glass on hinge side of door. (*Drip sweep will be 1/8" from edge of glass on opening side of door.*)



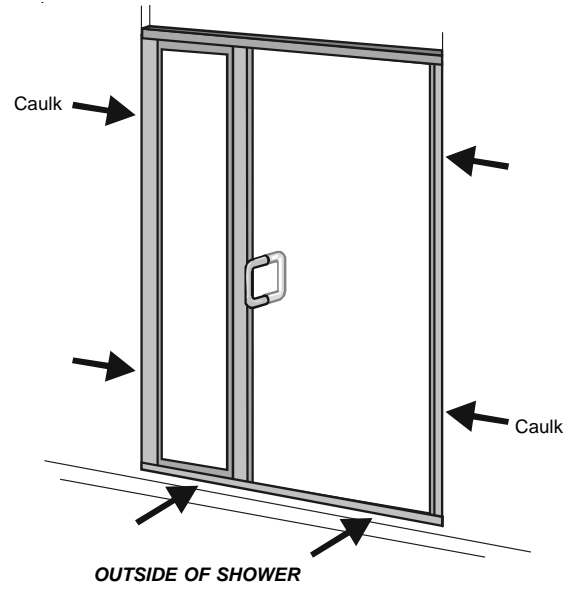
# 12

## Caulking

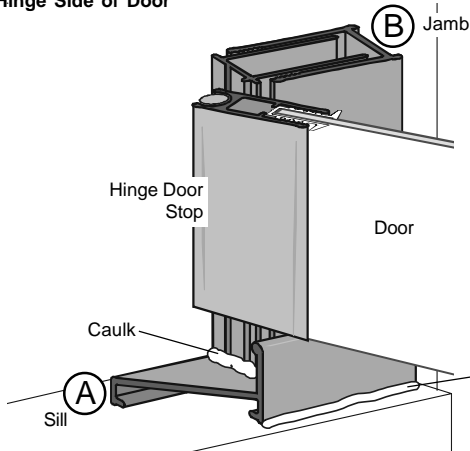
The use of a caulking compound will assure a watertight seal.

Apply caulk along outside edge of enclosure where metal and shower meet, especially where sill meets threshold. If desired, caulk inside of enclosure where jambs meet walls.

On opening side of door, caulk joint on sill where magnetic door stop and sill meet. On opposite side, caulk where hinge door stop and sill meet.



Hinge Side of Door



Opening Side of Door

