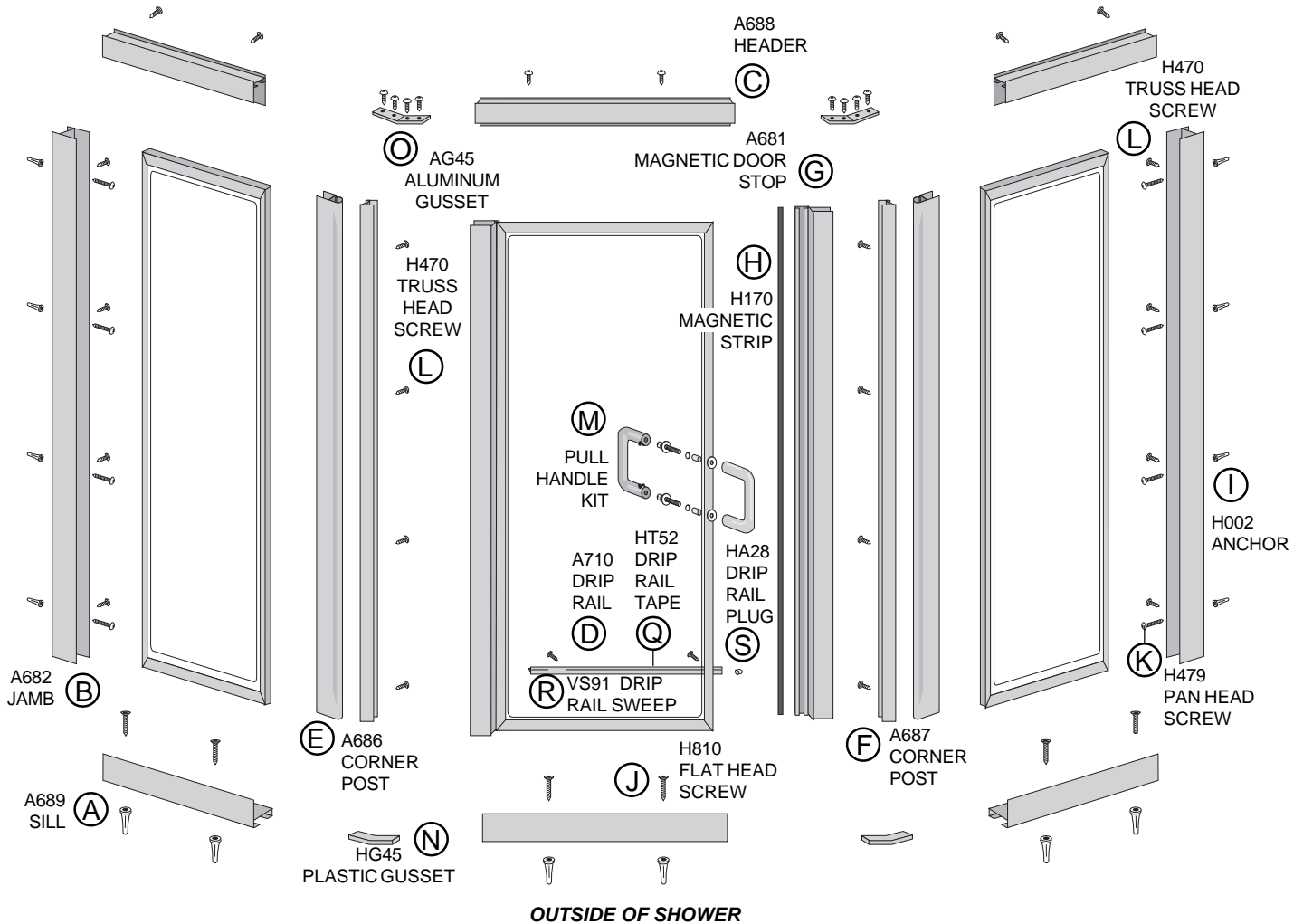


846J



FRAME PACKAGE

KEY	DESCRIPTION	PART	QTY
A	SILL	A689	3
B	JAMB	A682	2
C	HEADER	A688	3
E	ADJUSTABLE CORNER POST(MALE)	A686	2
F	ADJUSTABLE CORNER POST(FEMALE)	A687	2
G	MAGNETIC DOOR STOP	A681	1
H	MAGNETIC STRIP	H170	1
D	DRIP RAIL	A710	1
Q	DRIP RAIL TAPE *	HT52	1
R	DRIP RAIL SWEEP	VS91	1

HARDWARE BAG PARTS

S	DRIP RAIL PLUG	HA28	1
I	ANCHOR	H002	14
J	8A X 1 1/4 FLAT HEAD SCREW	H810	6
K	8A X 1 PAN HEAD SCREW	H479	8
L	8A X 3/8 TRUSS HEAD SCREW	H470	47
M	TUBULAR PUSH/PULL HANDLE KIT	HTSB	1
	ROUND BUSHING		2
	PLASTIC WASHER		4
	PULL HANDLE		2
	HANDLE CONECTOR SCREW		2
N	PLASTIC GUSSET	HG45	2
O	ALUMINIUM GUSSET	AG45	2
P	3/32 ALLEN WRENCH	H635	1

* Pre-Installed

TOOLS NEEDED

1/8" Drill Bit
 3/16" Drill Bit
 (3/16" Masonry Bit for
 Ceramic Tile)
 Measuring Tape
 Phillips Screw Driver
 File
 Drill
 Level
 China Marker
 Caulking Compound

INSTALLATION INSTRUCTIONS

If installation of this enclosure is planned in conjunction with a base and wall surround, make certain that all installation steps for the base and walls have been completed before installing this enclosure.

Before starting installation of your new enclosure, carefully read all instructions and lay out parts to become familiar with their identity. Installation is a manageable task for an experienced "Do-It-Yourselfer" and a helper.

Do not try to cut the mirrors or glass used in this enclosure.
Tempered glass and mirrors will disintegrate if cut.

USE OF ANCHORS

Anchors are furnished with every enclosure. However, the use of anchors is not recommended when attaching your enclosure to a fiberglass unit or wall surrounds with board reinforced mounting areas. Mounting holes in this case should be drilled with a 1/8" drill bit.

Mounting of this unit on tile requires the use of anchors. Special care must be taken not to crack the tile. Before drilling holes in the tile, lightly chip glazed surface of tile at the desired locations. Drill holes using a 3/16" masonry drill bit. Insert anchors into the holes making certain that ring on large end of anchor meets the surface of the tile.

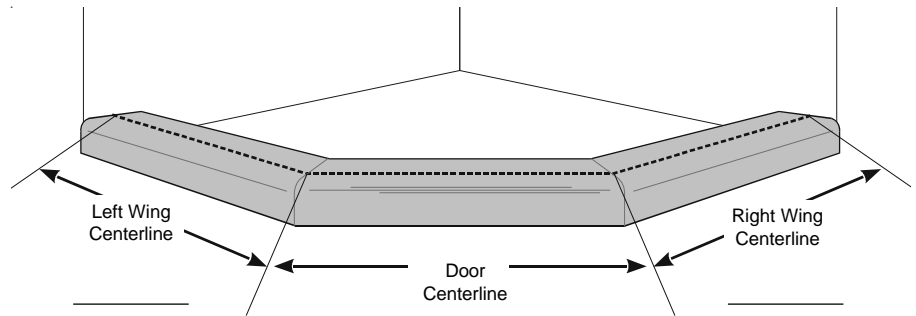
CLEANING

Cleaning and care of your enclosure is important to its lasting beauty. We suggest using a nonabrasive liquid cleaner.
Never use scouring powder or pads.

1

Measure and mark a centerline on the top surface of your base curb using a china marker. The measurement from the wall to the intersection of the door and side centerline is called the wing centerline. Measure and record each wing centerline.

To determine that this enclosure will fit your base, measure width of your side panel. For this enclosure to fit your base, your wing centerline must be at least equal to the side panel width plus 1/2"; and at the most side panel width plus 1 3/8".



OUTSIDE OF SHOWER

Compare with actual measurements:

Side Panel Width _____ + 1/2" =

_____ Minimum Wing Centerline

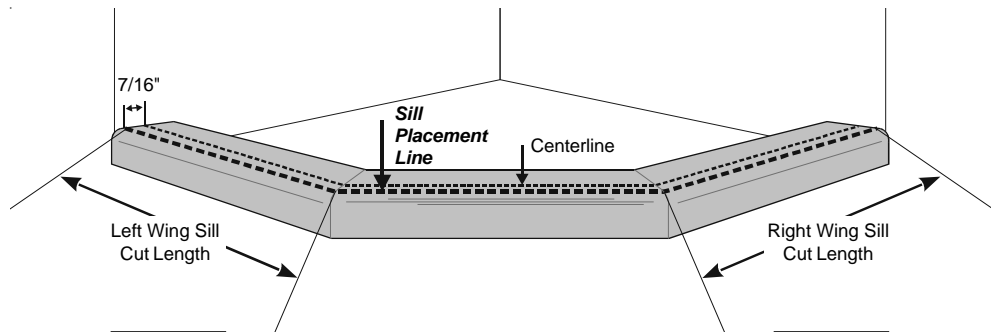
Side Panel Width _____ + 1 3/8" =

_____ Maximum Wing Centerline

2

Measure 7/16" from the centerline drawn in Step 1 toward outside of shower and draw a *Sill Placement Line*.

The measurement from the wall to the intersection of the door and side sill placement lines will be the wing sill cut lengths. Measure and record each wing sill cut length.



OUTSIDE OF SHOWER

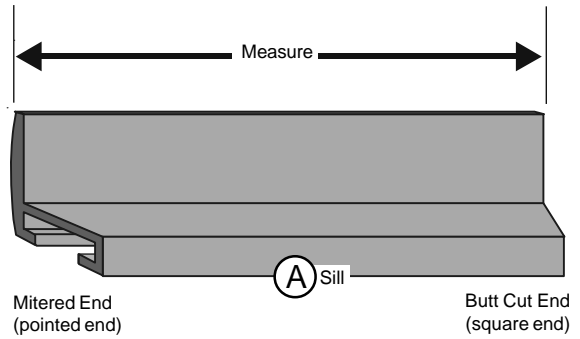
3

Due to the manufacturing process, there may be rack marks present at one end of your sill and header. All sills and headers must be trimmed to fit individual openings. When cutting sill and header, make certain to trim off end with rack marks.

There are three parts that make up the **sill (A)** -- a door sill with two mitered (pointed) ends, and two wing sills, each with one mitered end and one butt cut (straight) end.

The door sill is sized to fit your door and is not to be altered.

The wing sills are extra long and must be cut to match your sill cut lengths recorded in Step 2. Measure each sill, from the mitered end toward the butt cut end, to the correct length and cut. (Cut from butt cut end only.)



4

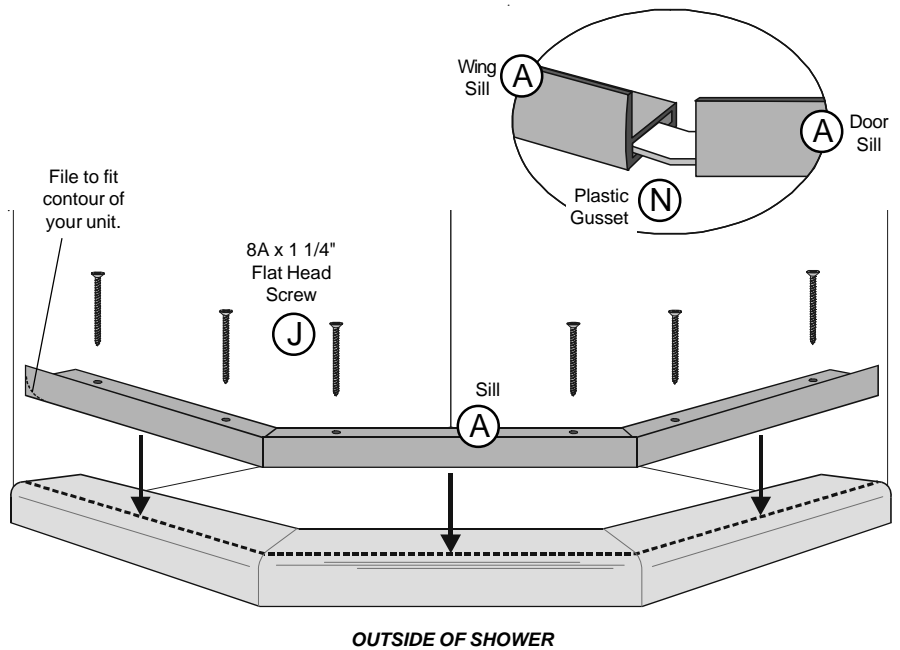
Join sill parts together at mitered ends using **plastic gussets (N)**. Make certain that ends meet tightly.

Place sill on base curb, sliding sill toward corner until butt cut ends meet walls. If necessary for a good fit, file sharp corners of sill to fit contour of walls.

Mark threshold through pre-punched holes in sill. Remove sill and drill where marked using 1/8" drill bit.

Reposition sill on base curb and secure using **8A x 1 1/4" flat head screws (J)**.

If anchors are used, mounting holes should be drilled with a 3/16" drill bit.

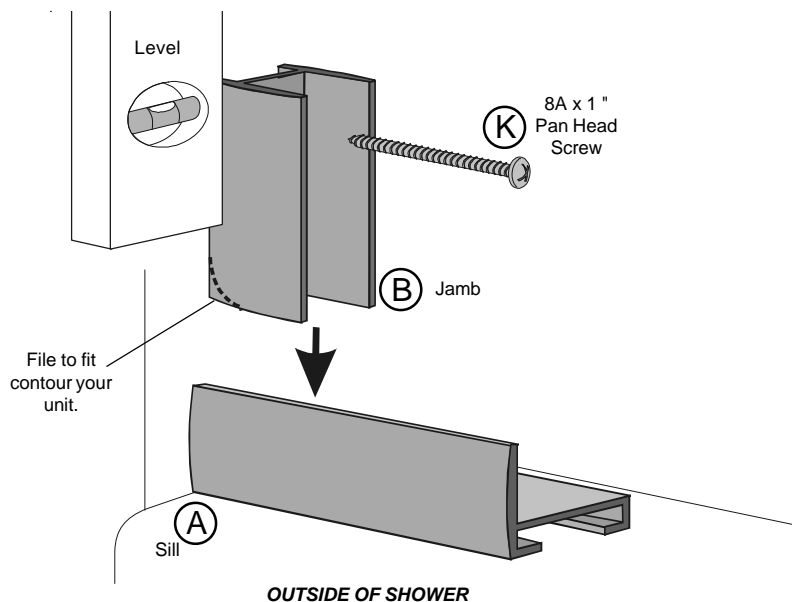


5

Place **jamb (B)** against wall with bottom resting on sill and short legs against wall. Align jamb vertically using level and mark wall through pre-punched holes. If necessary, file back edge (short legs) of jambs to fit contour of your unit. Repeat for remaining jamb on opposite side.

Remove jambs and drill where marked using 1/8" drill bit.

Reposition jambs and secure using **8A x 1" pan head screws (K)**.



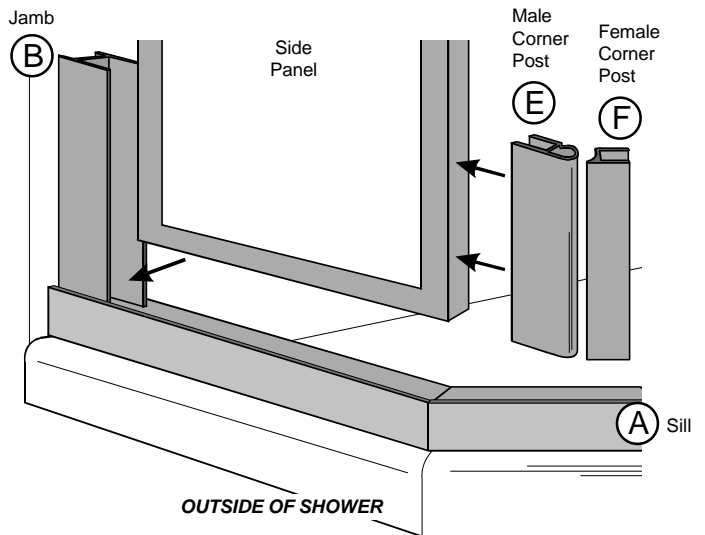
6

On units with clear, painted glass, the painted surface of glass faces outside of shower.

On units with tinted, painted glass, the painted surface of glass faces inside of shower.

Place side panel into wall jamb with bottom of panel resting on sill.

Slide **male corner post** (E) onto side panel. Position **female corner post** (F) against male post with closed curve of female post fitting against curve of male post.

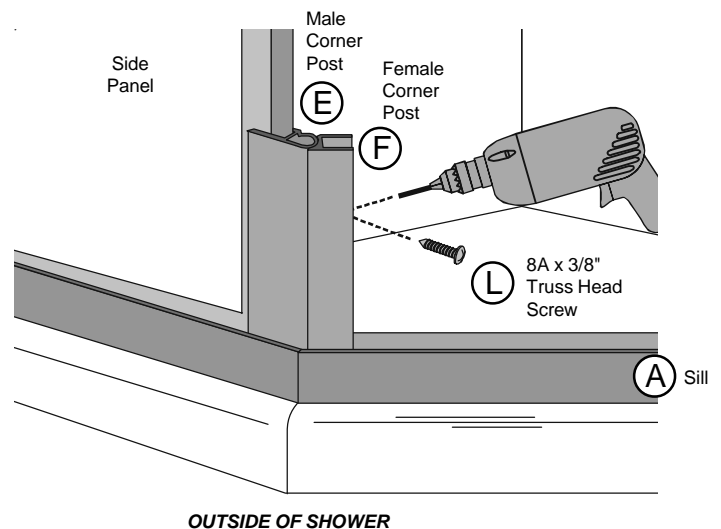


7

Adjust side panel and corner posts so that posts fit into corner of sill securely and are flush against tall edge of sill.

Align posts vertically using a level. Secure posts together by drilling three evenly spaced holes through center of female post into male post. Secure using **8A x 3/8" truss head screws** (L).

Repeat for panel and posts on opposite side.



8

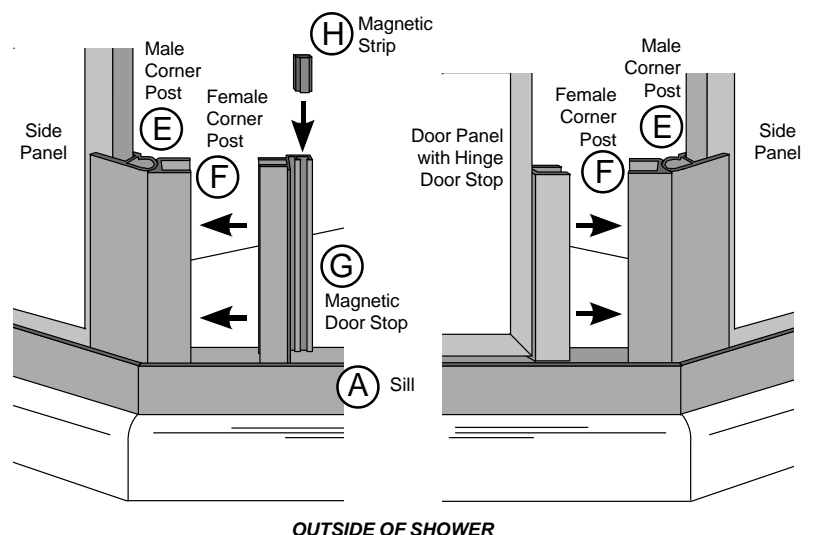
If magnetic strips do not seal tightly, reverse polarity by removing strip from door stop and replacing it with the previous top end as the bottom end.

Slide **magnetic strip** (H) into slot on **magnetic door stop** (G). Trim ends even with door stop using scissors.

Decide which will be the opening side of your door. Door is normally installed to open on the side of unit nearest to the showerhead. For safety purposes, door should be installed to open out from shower.

Slide magnetic door stop into corner post on opening side of door with magnetic strip facing outside of shower.

Position hinge door stop, which is attached to door panel, into opposite corner post.



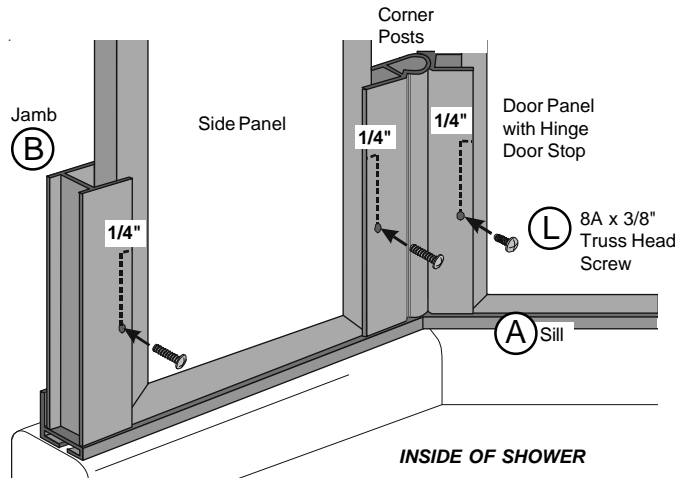
9

When mounting corner posts and jambs to side panels, do not drill through front side of panel or hit glass with drill bit. Glass is seated approximately 1/2" into channel.

Adjust side panels, corner posts, and door stops until magnetic strip aligns properly on door panel and door closes evenly at top and bottom.

Once desired alignment of parts has been achieved, from inside shower, drill four evenly spaced holes through leg of jamb (1/4" from edge) into side panels. Secure using **8A x 3/8" truss head screws (L)**.

Secure corner posts to side panels and door stops in same manner, by drilling from inside shower, four evenly spaced holes through leg of corner post (1/4" from edge) into side panel and into hinge and magnetic door stops. Attach using 8A x 3/8" truss head screws.



10

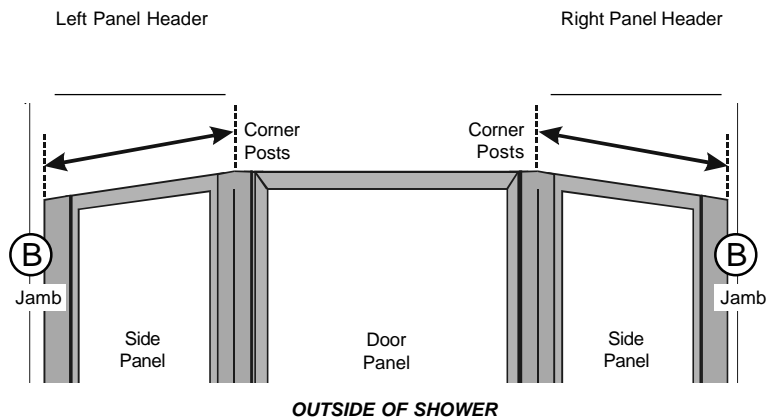
Before measuring for header, make certain that the corner posts are plumb and all screws have been tightened.

There are 3 parts that make up the **header (C)** - a door header with two mitered ends, and two panel headers, each with one mitered end and one butt cut end.

The door header is sized to fit your door and is not to be altered.

The panel headers are extra long and must be cut to fit your measurements. Measure for each panel header separately.

At the top of unit, measure from the wall to the center point of each corner post and record measurements.

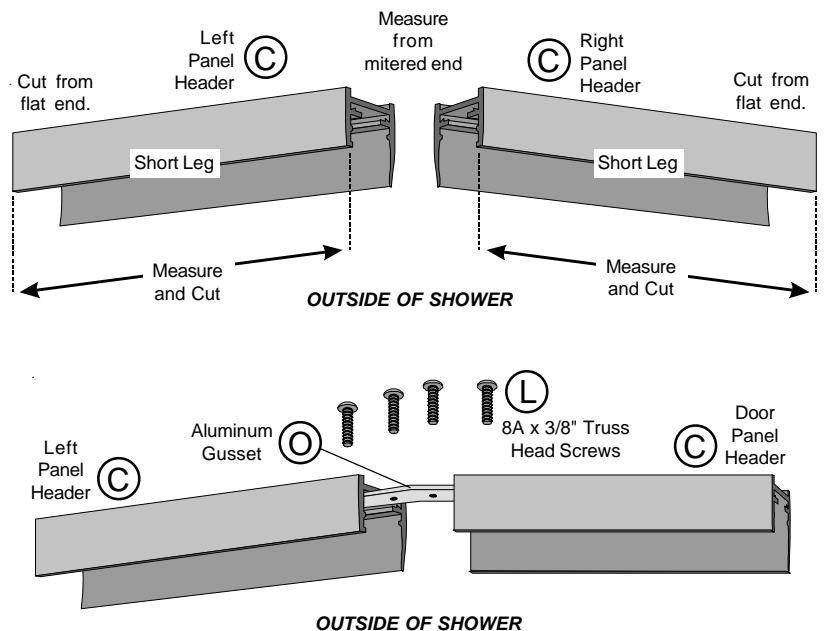


11

Header fits on unit with short leg of header toward outside of shower. When cutting header, cut from flat end only. Do not cut mitered end.

Working from the mitered end of right and left panel headers, measure short leg to the correct length (recorded in Step 10). Mark and cut using a hacksaw.

Join the three header parts together at mitered ends, using **aluminum gussets (O)**. Make certain that ends meet tightly. Secure gussets to header using 8A x 3/8" truss head screws (L).



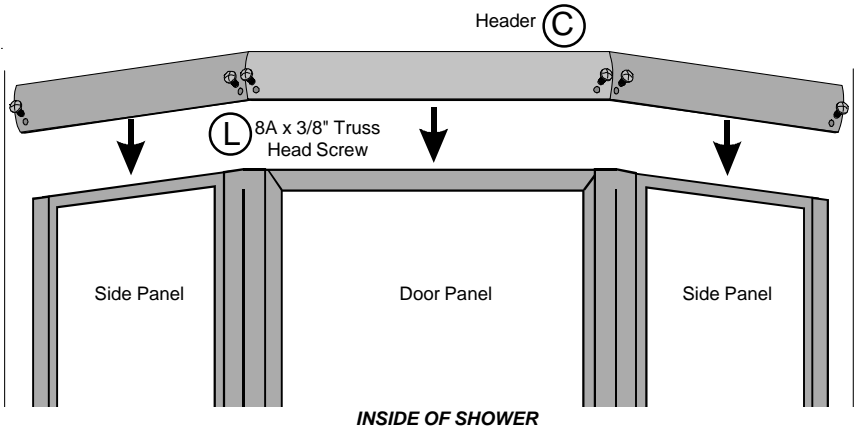
12

When securing header, do not drill through front side of header or hit glass with drill bit. Glass is seated approximately 1/2" into channel.

Position header over unit and lower into place.

Join header to jambs by drilling, from inside shower, through long leg of header into jambs. Secure using 8A x 3/8" truss head screws.

Join header to corner posts by drilling, from inside shower, through long leg of header into corner posts. Holes should be 1/2" from corner joining. Secure using 8A x 3/8" truss head screws.

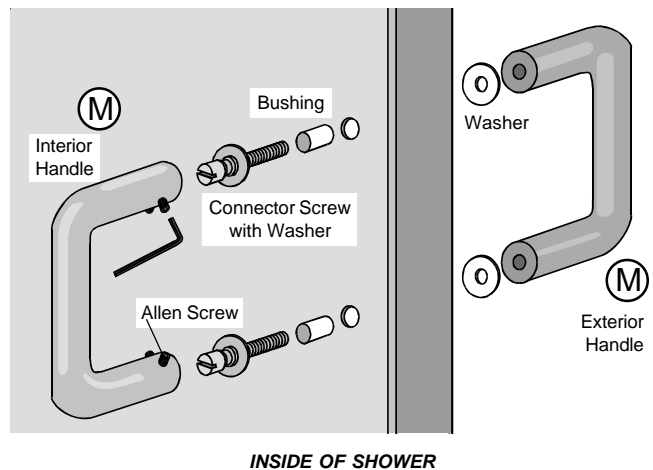


13

Push / pull handle kit (M) comes with parts assembled in the order they will be once installed on glass. Loosen allen screws on interior handle to disassemble parts.

Place **bushings** in holes of glass. Trim so that bushings are flush with glass surface. Place one **washer** on each connector screw. From inside surface of glass, insert **connector screw** through hole, backing with another washer on outside of glass. Hold **exterior handle** in place on outside of glass and secure by tightening connector screws.

On inside of glass, slip **interior handle** over connector screws. Secure in place by tightening **allen screws** on interior handle.

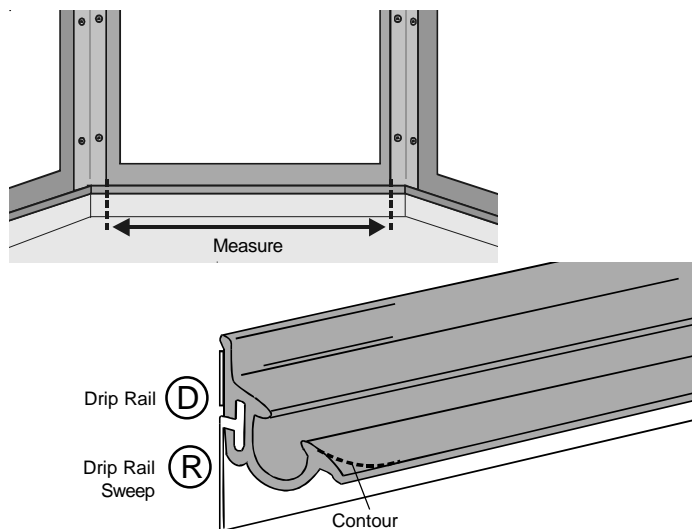


14

From inside shower, measure width of door panel at bottom. **Drip rail (D)** should be 1/2" shorter than door width. If longer, cut to proper length.

Slide **vinyl sweep (R)** into slot on back of drip rail. Trim ends even with edges of drip rail.

Smooth cut end of drip rail fin with a file to remove sharp point.



15

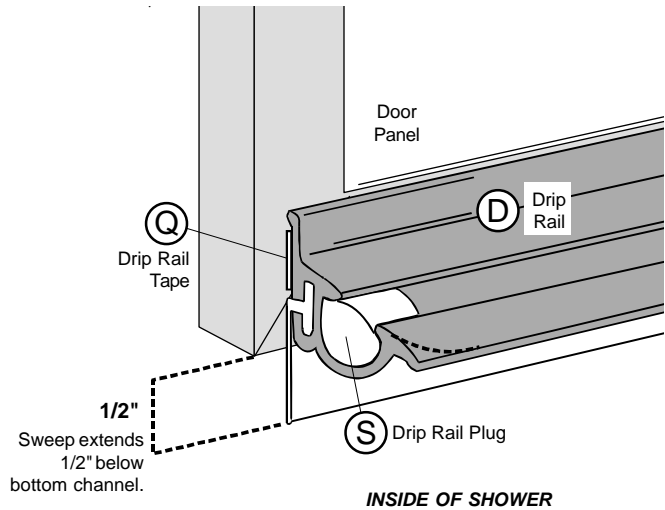
Make certain that bottom channel of door is clean and dry before mounting drip rail. After mounting, drip rail should not be removed or repositioned. Adhesive on tape needs 72 hours curing time for maximum bond.

With door in closed position, place drip rail on bottom channel of door on inside of shower. Position so that bottom edge of sweep extends approximately 1/2" below bottom of door.

Mark location for drip rail, peel protective cover from **tape** (Q) and press into place.

Insert **drip rail plug** (S) into groove of drip cap on opening side of door.

Aluminum drip rail may be additionally secured by drilling with 1/8" drill bit through drip rail into bottom channel. Attach using 8A x 3/8" truss head screws. When drilling in door panel, make sure drill does not hit glass. Glass is seated approximately 1/2" into channel.



16

The use of a caulking compound will assure a watertight seal of your enclosure. Apply caulk along outside edge of enclosure where metal and shower meet, especially where sill meets threshold.

If desired, caulk inside of enclosure where jambs meet walls.

On opposite side, caulk where hinge door stop and sill meet.

Caulk joint on opening side of door where magnetic door stop and sill meet.

