

**846-GP**

**Neo-Angle Enclosure**



**Technical Assistance is available Monday - Friday 8:00 a.m. - 5:00 p.m. (Central Time)  
1-877-723-7190**

# PARTS LIST

## FRAME PACKAGE

KEY	DESCRIPTION	PART	QTY
A	SILL	A855	3
B	JAMB	A942	2
C	HEADER	A101	3
D	CORNER POST	A930	2
E	DRIP RAIL	A710	1
F**	DRIP RAIL SWEEP **	VS91	1
G*	DRIP RAIL TAPE *	HT52	1
H	MAGNETIC DOOR STOP	A954	1
I	MAGNETIC STRIP	H170	1

## HARDWARE BAG

J	8A X 3/8 TRUSS HEAD SCREW	H470	47
K	8A X 1 1/4 FLAT HEAD SCREW	H810	6
L	8A X 1 PAN HEAD SCREW	H479	8
N	ANCHOR	H002	14
O	DRIP RAIL PLUG	HA28	1
P	PLASTIC GUSSET	HG45	2
Q	METAL GUSSET	AG45	2
Z**	PULL HANDLE KIT **	HSAD	1
	EXTERIOR PULL HANDLE	HA32	1
	INTERIOR PULL HANDLE	HA31	1
	6-32 X 1 1/4 PAN HEAD SCREW	H485	2

\* Pre-Installed

\*\* May be Pre-Installed

## TOOLS NEEDED

1/8" Drill Bit  
 3/16" Drill Bit  
 (3/16" Masonry Bit for  
 Ceramic Tile)  
 Measuring Tape  
 Phillips Screw Driver  
 File  
 Drill  
 Level  
 China Marker  
 Caulking Compound

**Before starting installation of your new enclosure, carefully read all instructions and lay out parts to become familiar with their identity. Installation is a manageable task for an experienced "Do-It-Yourselfer" and a helper.**

**If installation of this enclosure is planned in conjunction with a base and wall surround, make certain that all installation steps for the base and walls have been completed before installing this enclosure.**

### USE OF ANCHORS

Anchors are furnished with every enclosure. However, the use of anchors is not recommended when attaching your enclosure to a fiberglass unit or wall surrounds with board reinforced mounting areas. Mounting holes in this case should be drilled with an 1/8" drill bit.

Mounting of this unit on tile requires the use of anchors. Special care must be taken not to crack the tile. Before drilling holes in the tile, lightly chip glazed surface of tile at the desired locations. Drill holes using a 3/16" masonry drill bit. Insert anchors into the holes making certain that ring on large end of anchor meets the surface of the tile.

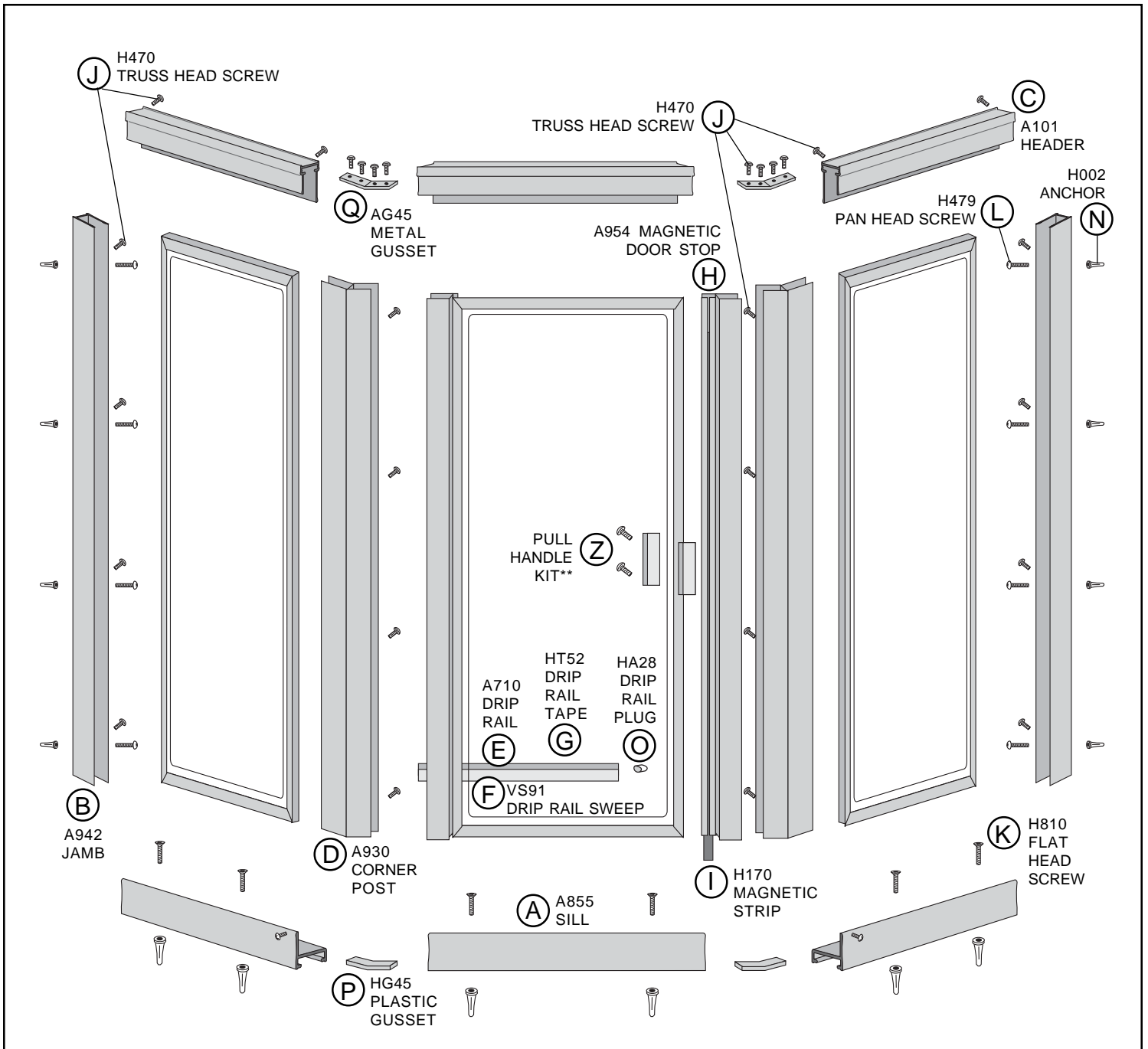
### CLEANING

Cleaning and care of your enclosure is important to its lasting beauty. We suggest using a nonabrasive liquid cleaner.  
*Never use scouring powder or pads.*

### SEALING

The use of a caulking compound can assure a water-tight seal when applied along outside edge of the enclosure where metal and bath meet. If desired, caulk inside of enclosure where jambs meet walls.


**Do not try to cut the mirrors or glass used in this enclosure.  
 Tempered glass and mirrors will disintegrate if cut.**




**OUTSIDE OF SHOWER**

\*\* May be Pre-Installed

  
**(L)** **8A x 1 Pan Head Screw**  
 (H479 - Used for Jamb)

  
**(K)** **8A x 1 1/4 Flat Head Screw**  
 (H810 - Used for Sills)

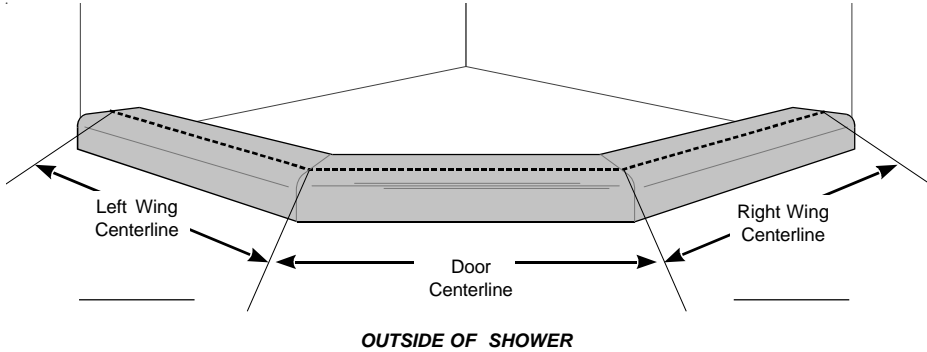
  
**(J)** **8A x 3/8 Truss Head Screw**  
 (H470 - Used for Header, Corner Posts and Jamb, Gussets, Drip Rail)

  
**(Z)** **6-32 x 1 1/4 Pan Head Screw\*\***  
 (H485 - Used for Pull Handle\*\*)

**1 Sill (A)**

Measure and mark a centerline on the top surface of your base curb using a china marker. The measurement from the wall to the intersection of the door and side centerline is called the wing centerline. Measure and record each wing centerline.

To determine that this enclosure will fit your base, measure width of your side panel. For this enclosure to fit your base, your wing centerline must be at least equal to the side panel width plus 1/2"; and at the most side panel width plus 1 1/2".



**Compare with actual measurements:**

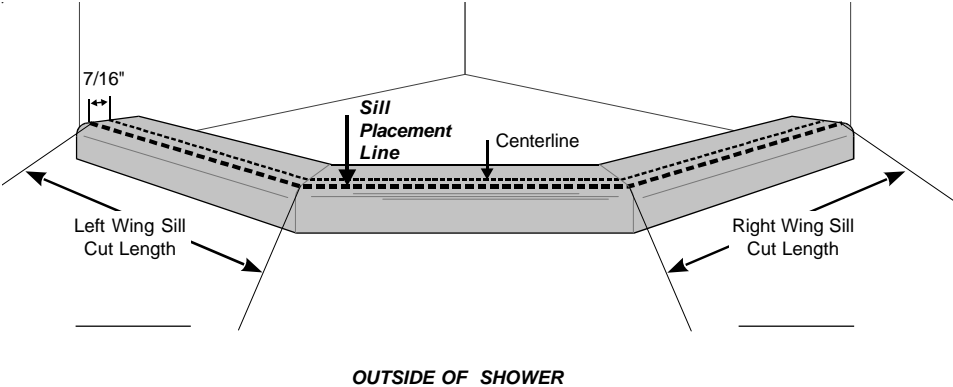
Side Panel Width \_\_\_\_\_ + 1/2" = \_\_\_\_\_ Minimum Wing Centerline

Side Panel Width \_\_\_\_\_ + 1 1/2" = \_\_\_\_\_ Maximum Wing Centerline

**2 Sill (A)**

Measure 7/16" from the centerline drawn in Step 1 toward outside of shower and draw a Sill Placement Line.

The measurement from the wall to the intersection of the door and side sill placement lines will be the wing sill cut lengths. Measure and record each wing sill cut length.

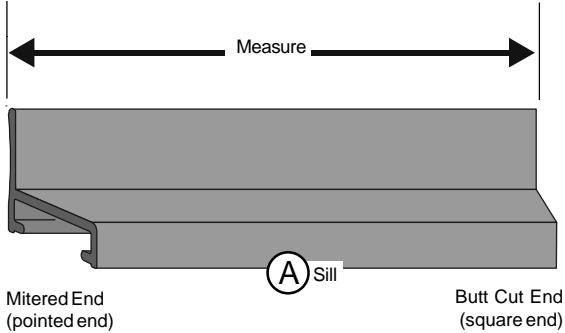


**3 Sill (A)**

There are three parts that make up the sill (A) -- a door sill with two mitered (pointed) ends, and two wing sills, each with one mitered end and one butt cut (straight) end.

The door sill is sized to fit your door and is not to be altered.

The wing sills must be cut to match your sill cut lengths recorded in Step 2. Measure each sill, from the mitered end toward the butt cut end, to the correct length and cut. (Cut from butt cut end only.)



4

Sill (A)

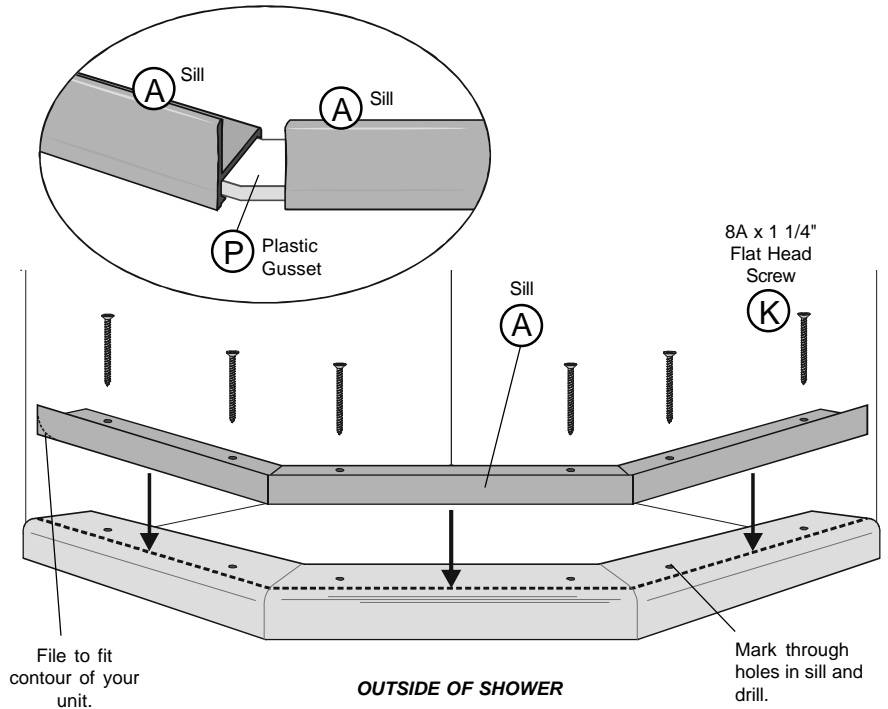
If anchors (N) are used, holes should be drilled using 3/16" drill bit. (Use masonry bit for tile.)

Join sill parts together at mitered ends using **plastic gussets (P)**. Make certain that ends meet tightly.

Place sill on base curb, sliding sill toward corner until butt cut ends meet walls. If necessary for a good fit, file sharp corners of sill to fit contour of walls.

Mark threshold through pre-punched holes in sill. Remove sill and drill where marked using 1/8" drill bit.

Turn sill upright and reposition on base. Secure using **8A x 1 1/4" flat head screws (K)**.



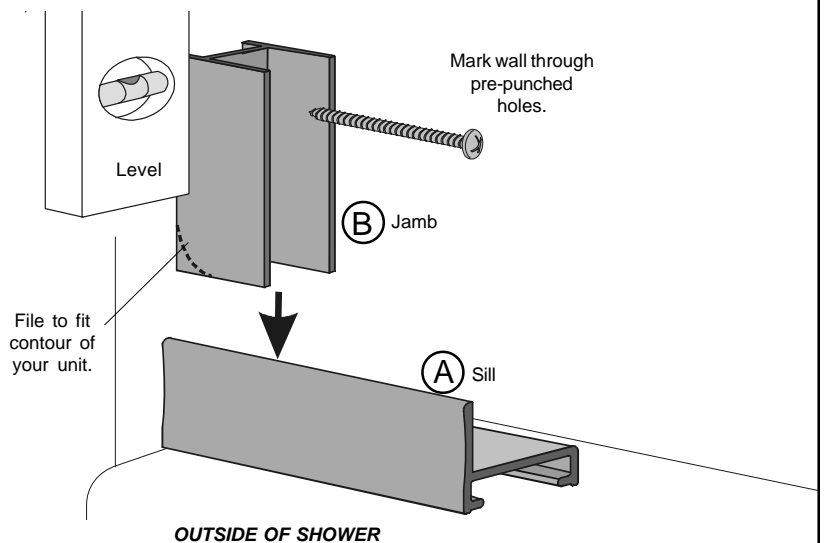
5

Jamb (B)

Position **jamb (B)** against wall with bottom resting on sill and short legs against wall. Align jamb vertically using a level and mark wall through pre-punched holes. If necessary, file back edge (short legs) of jambs to fit contour of your unit. Repeat for remaining jamb on opposite wall.

Remove jambs and drill where marked using 1/8" drill bit.

Reposition jambs and secure using **8A x 1" jamb screws (L)**.

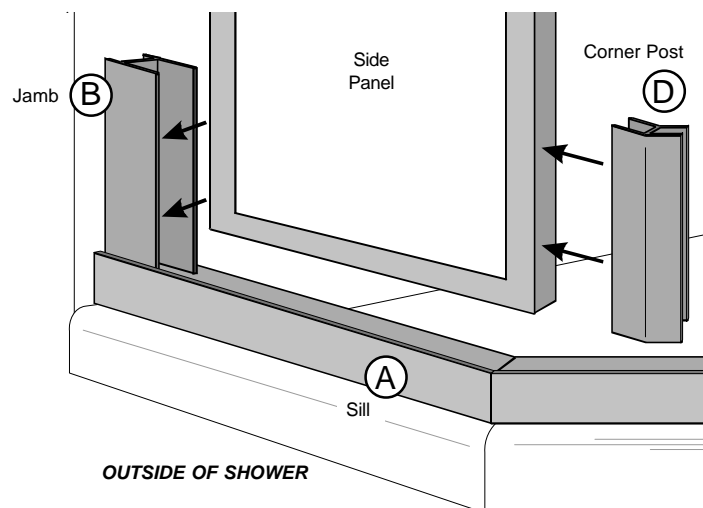


6

Side Panel / Corner Post (D)

Place **side panel** into wall jamb with bottom of panel resting on sill. Repeat for side panel on opposite side.

Slide **corner post (D)** onto each side panel with bottom of corner posts resting on sill.



7

## Magnetic Door Stop (H) / Door Panel

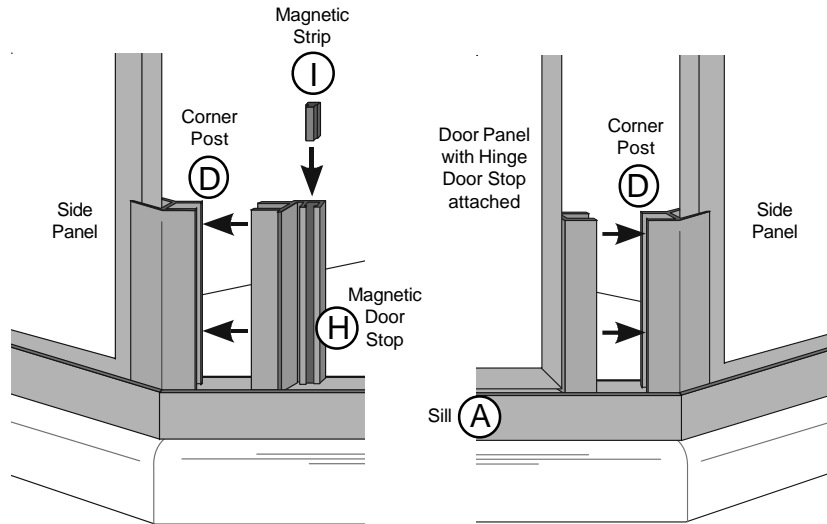
If magnetic strips do not seal tightly, reverse polarity by removing strip from door stop and replacing it with the previous top end as the bottom end.

Slide **magnetic strip (I)** into slot on **magnetic door stop (H)**. Trim ends even with door stop using scissors.

Decide which will be the opening side of your door. Door is normally installed to open on the side of unit nearest to the showerhead. For safety purposes, door should be installed to open out from shower.

Slide magnetic door stop into corner post on opening side of door with magnetic strip facing outside of shower.

Position hinge door stop, which is attached to door panel, into opposite corner post.



OUTSIDE OF SHOWER

8

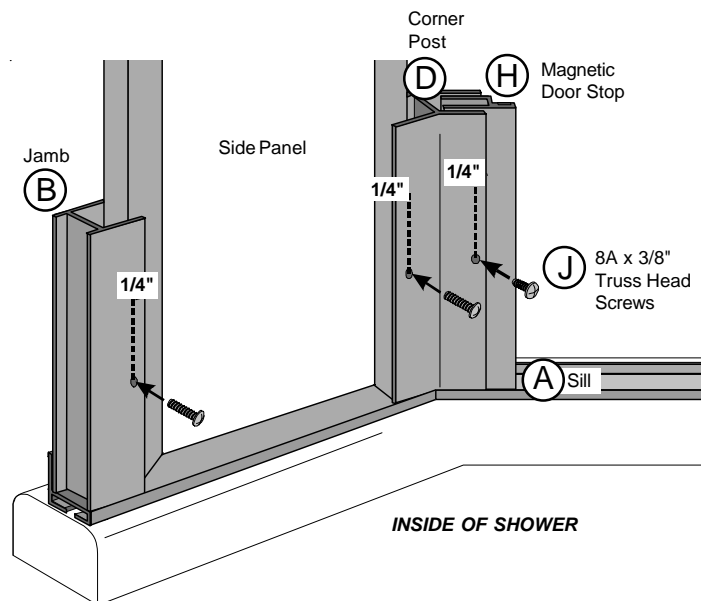
## Aligning / Securing Verticals

When mounting corner posts and jambs to side panels, do not drill through front side of panel or hit glass with drill bit. Glass is seated approximately 1/2" into channel.

Adjust side panels, corner posts, and door stops until magnetic strip aligns properly on door panel and door closes evenly at top and bottom.

Once desired alignment of parts has been achieved, from inside shower, drill four evenly spaced holes through leg of jamb (1/4" from edge) into side panels. Secure using **8A x 3/8" truss head screws (J)**.

Secure corner posts to side panels and door stops in same manner, by drilling from inside shower, four evenly spaced holes through leg of corner post (1/4" from edge) into side panels and into hinge and magnetic door stops. Attach using **8A x 3/8" truss head screws (J)**.



INSIDE OF SHOWER

9

Header (C)

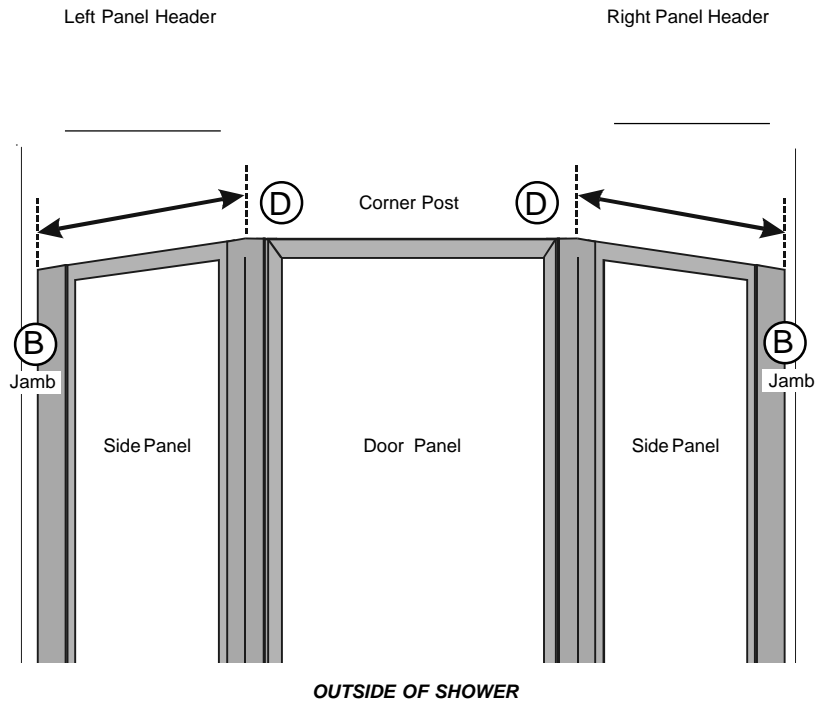
**Before measuring for header, make certain that the corner posts are plumb and all screws have been tightened.**

There are 3 parts that make up the **header (C)** - a door header with two mitered ends, and two panel headers, each with one mitered end and one butt cut end.

The door header is sized to fit your door and is not to be altered.

The panel headers must be cut to fit your measurements. Measure for each panel header separately.

At the top of unit, measure from the wall to the center point of each corner post and record measurements.

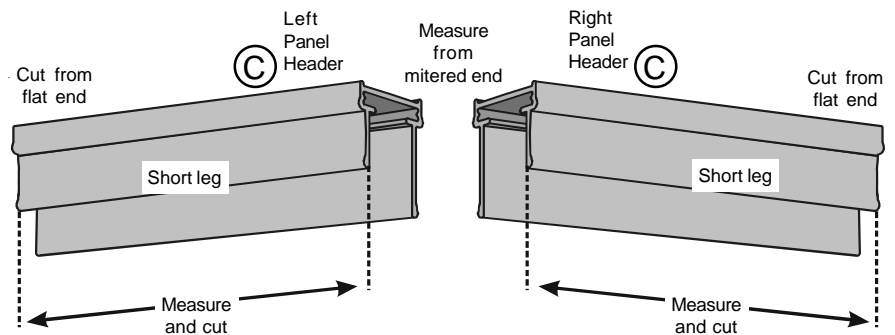


10

Header (C)

**Header fits on unit with short leg of header toward outside of shower. When cutting header, cut from flat end only. Do not cut mitered end.**

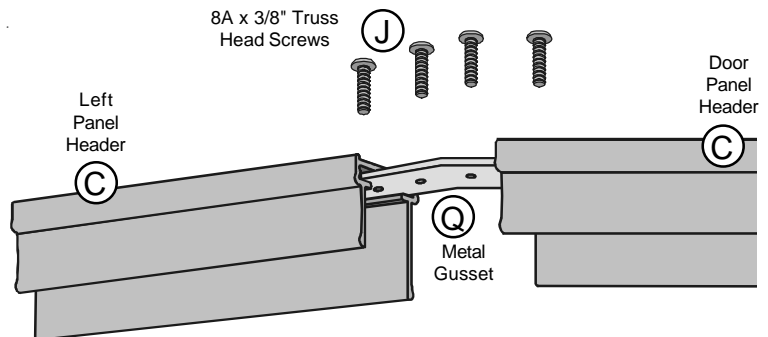
Working from the mitered end of right and left panel headers, measure short leg to the correct length (recorded in Step 9). Mark and cut using a hacksaw.



11

Header (C)

Join the three header parts together at mitered ends using **metal gussets (Q)**. Make certain that ends meet tightly. Secure gussets to header using 8A x 3/8" truss head screws (J).



12

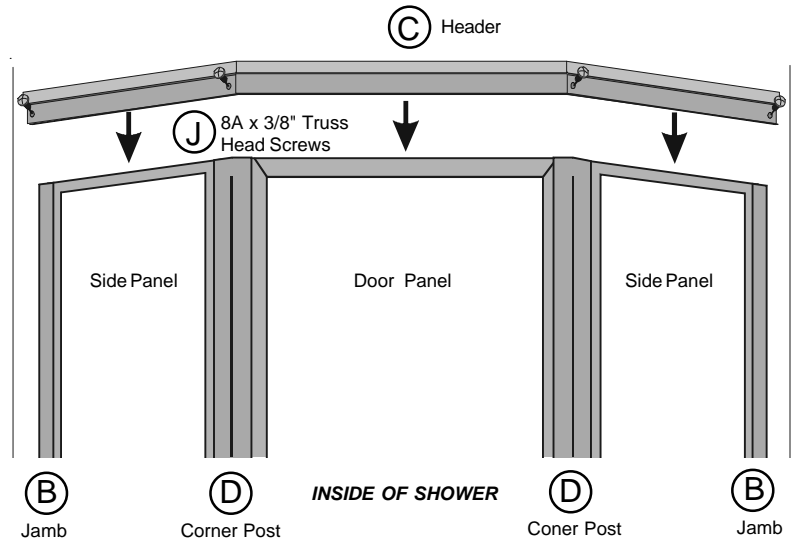
Header (C)

**When securing header, do not drill through front side of header or hit glass with drill bit. Glass is seated approximately 1/2" into channel.**

Position header over unit and lower into place.

Join header to jambs by drilling, from inside shower, through long leg of header into jambs. Secure using 8A x 3/8" truss head screws (J).

Join header to corner posts by drilling, from inside shower, through long leg of header into corner posts. Holes should be 1/2" from corner joining. Secure using 8A x 3/8" truss head screws.

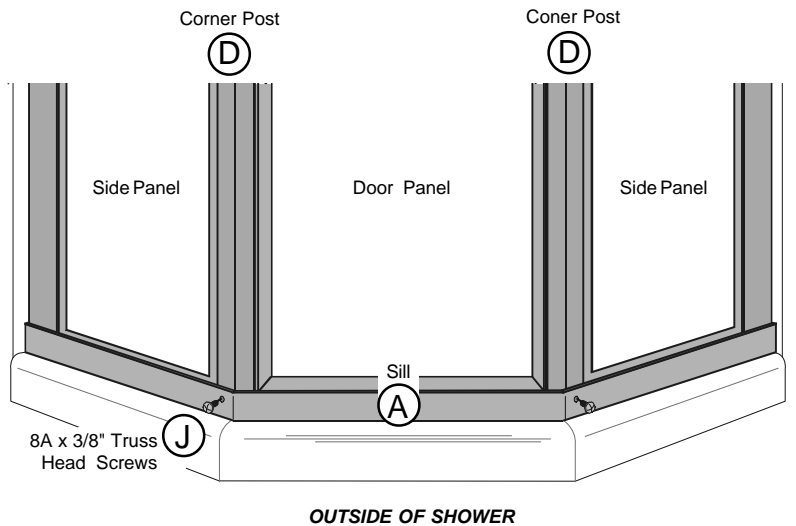


13

Securing Corner Posts

**When securing corner posts, do not hit glass with drill bit. Glass is seated approximately 1/2" into channel.**

Join corner posts to sill by drilling, from outside of shower, through sill into corner posts. Holes should be 1/2" from corner joining on panel side of corner posts. Secure using 8A x 3/8" truss head screws.

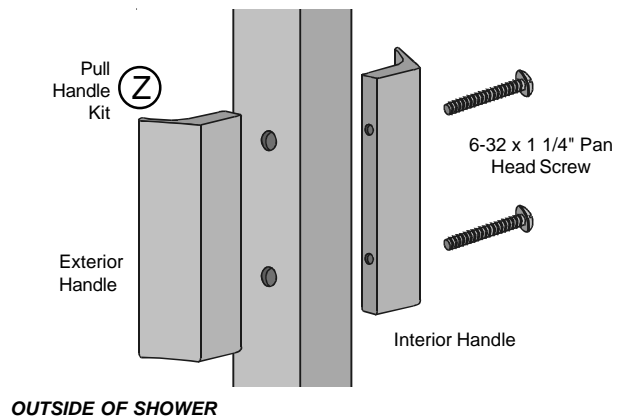


14

Pull Handle Kit (Z)

*Handle for your door may be pre-installed. If so, disregard this step and continue installation.*

Mount **interior and exterior pull handles**, from **pull handle kit (Z)**, onto door panel using **6-32 x 1 1/4" pan head screws** provided. Screw heads should be on the inside of shower.





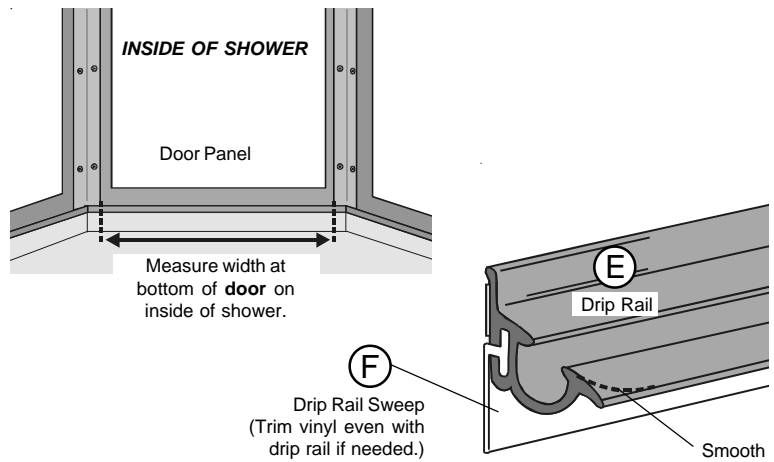
## 15

### Drip Rail (E)

From inside shower, measure width of door panel at bottom. **Drip rail (E)** should be 1/2" shorter than door width. If longer, cut to proper length.

Slide **vinyl sweep (F)** into slot on back of drip rail. Trim ends even with edges of drip rail.

Smooth cut end of drip rail fin with a file to remove sharp point.



## 16

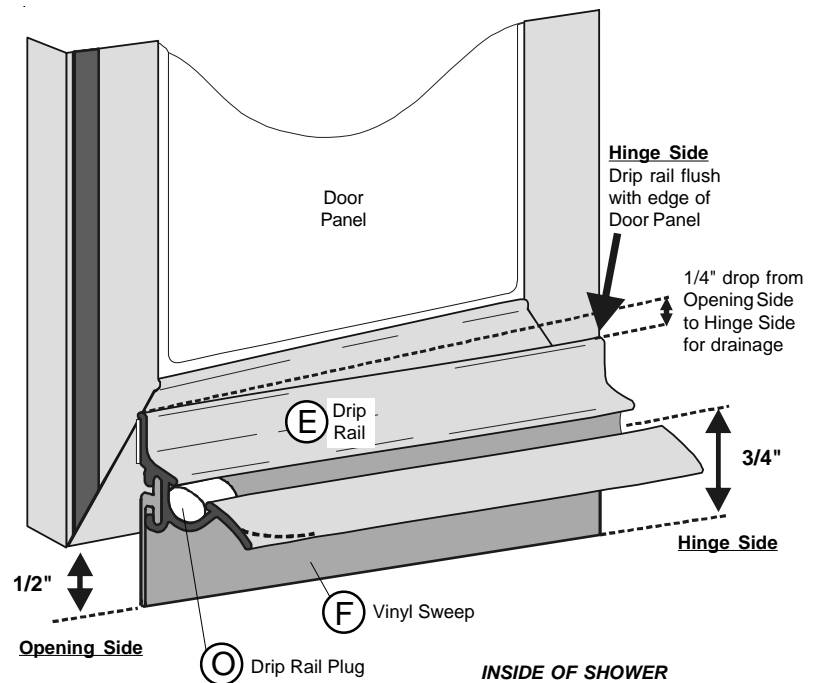
### Drip Rail (E)

**Clean bottom channel of door before mounting drip rail. After mounting, do not remove or reposition. Allow 72 hours curing time for maximum bond.**

Position drip rail on inside surface of door panel as described below:

- **Side-to-side placement:** Edge of drip rail should be flush with edge of door panel on hinge side of door.
- **Vertical placement:** Vinyl sweep should extend 1/2" below bottom of door panel on **opening side**. Angle drip rail so that vinyl sweep extends 3/4" below bottom of door panel on **hinge side**. This will create an 1/4" slope from opening to hinge side for water drainage.

Mark position. Remove drip rail from door. Peel protective cover from tape, and press into place. Insert **drip rail plug (O)** into groove of drip rail on opening side of door.



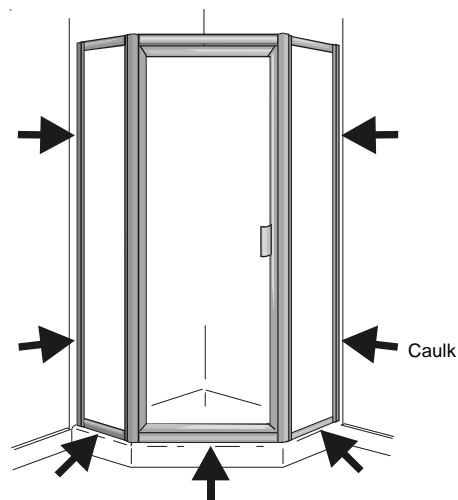
**Drip rail may be additionally secured using 8A x 3/8" truss head screws. When drilling in door panel, make certain drill does not hit glass. Glass is seated approximately 1/2" into channel.**

## 17

### Caulking

The use of a caulking compound will assure a water-tight seal of your enclosure. Apply caulk along outside edge of enclosure where metal and base meet, especially where sill (bottom of enclosure) meets base.

If desired, caulk inside of enclosure where jambs meet walls.



# 18

## Caulking

On opening side of door, caulk joint where magnetic door stop and sill meet.

On opposite side, caulk where hinge door stop and sill meet.

