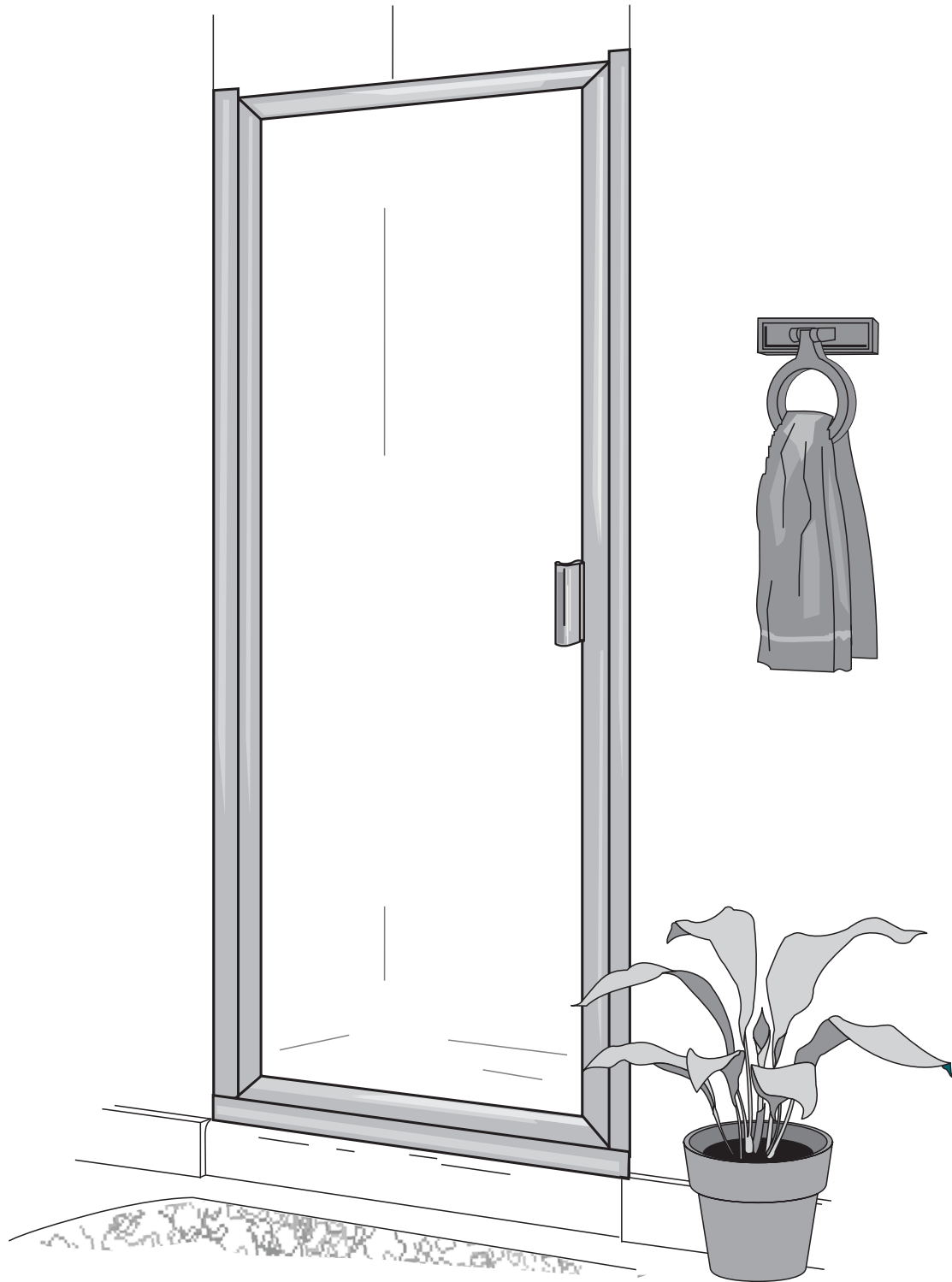


**463-GP**

**Swing Door**



**Technical Assistance is available Monday - Friday, 8:00 a.m. - 5:00 p.m. (Central Time)**

**1-877-723-7190 (Toll Free)**

# PARTS LIST

## FRAME PACKAGE

KEY	DESCRIPTION	PART	QTY
A	SILL	A855	1
B	JAMB	A942	2
E	MAGNETIC DOOR STOP	A951	1
G	MAGNETIC STRIP	H170	1
D	DRIP RAIL	A710	1
F**	DRIP RAIL SWEEP	** VS91	1
H*	DRIP RAIL TAPE	* HT52	1

## HARDWARE BAG

J	8A X 1 PAN HEAD SCREW	H475	8
K	8A X 3/8 TRUSS HEAD SCREW	H470	10
L	ANCHORS	H002	8
P	DRIP RAIL PLUG	HA28	1
M**	PULL HANDLE KIT	** HSAD	1
	6-32 X 1 1/4 PAN HEAD SCREW	H485	2
	EXTERIOR PULL HANDLE	HA31	1
	INTERIOR PULL HANDLE	HA32	1

\* Pre-Installed    \*\* May be Pre-Installed

## TOOLS NEEDED

1/8" Drill Bit  
 3/16" Drill Bit  
 (3/16" Masonry Bit for Ceramic Tile)  
 Pencil  
 Measuring Tape  
 Hacksaw  
 Phillips Screw Driver  
 Silicone Caulk  
 File  
 Drill  
 Level  
 Masking Tape

**Before starting installation of your new enclosure, carefully read all instructions and lay out parts to become familiar with their identity.**

### USE OF ANCHORS

Anchors are furnished with every enclosure. However, the use of anchors is not recommended when attaching your enclosure to a fiberglass unit or wall surrounds with board reinforced mounting areas. Mounting holes in this case should be drilled with an 1/8" drill bit.

Mounting of this unit on tile requires the use of anchors. Special care must be taken not to crack the tile. Before drilling holes in the tile, lightly chip glazed surface of tile at the desired locations. Drill holes using a 3/16" masonry drill bit. Insert anchors into the holes making certain that ring on large end of anchor meets the surface of the tile.

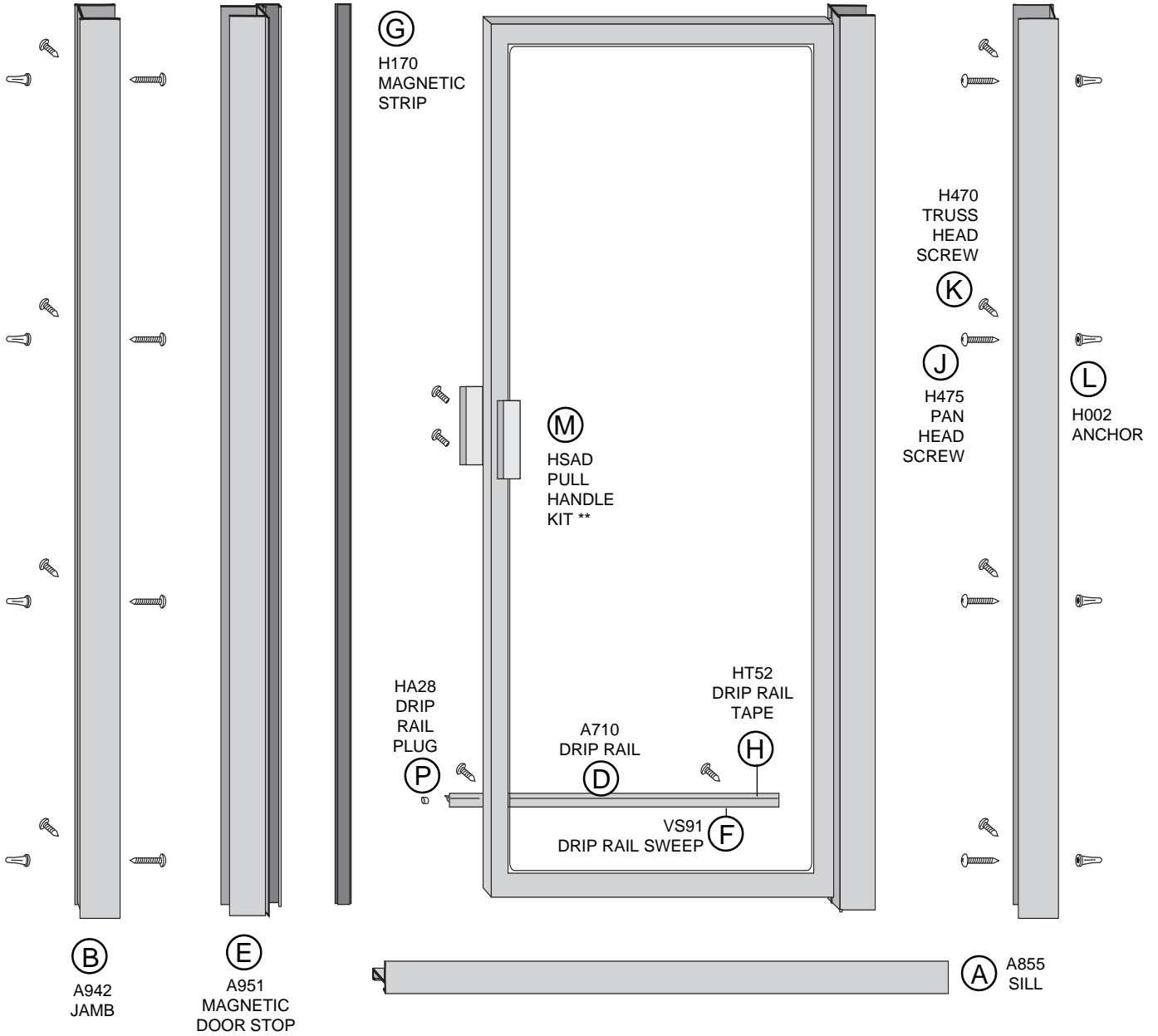
### CLEANING

Cleaning and care of your enclosure is important to its lasting beauty. We suggest using a nonabrasive liquid cleaner.  
*Never use scouring powder or pads.*

### SEALING

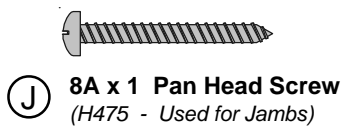
The use of a caulking compound can assure a water-tight seal when applied along outside edge of the enclosure where metal and bath meet. If desired, caulk inside of enclosure where jambs meet walls.

**Do not try to cut the mirrors or glass used in this enclosure.  
 Tempered glass and mirrors will disintegrate if cut.**



OUTSIDE OF SHOWER

\*\* May be Pre-Installed



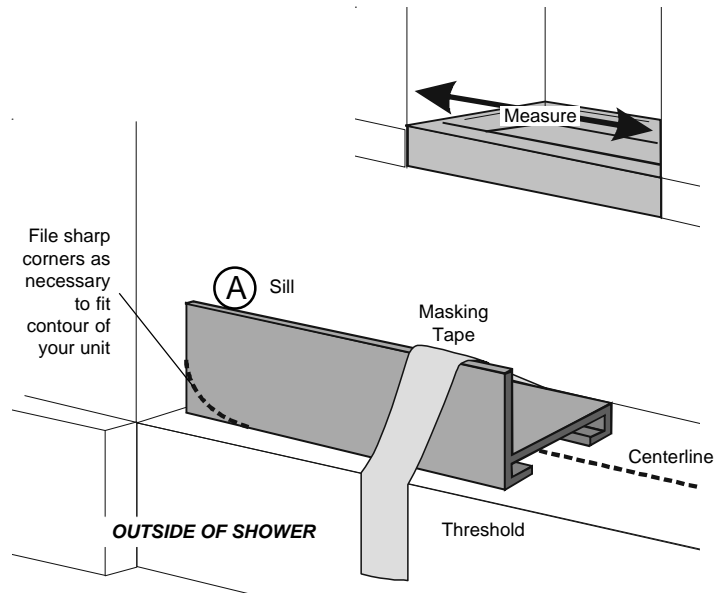
1

Sill (A)

Due to the manufacturing process, there may be rack marks present at one end of your sill and header. Sill and header must be trimmed to fit your individual opening. When cutting sill and header, make certain to trim off end with rack marks.

Measure opening at threshold of shower and cut **sill (A)** to exact measurement. If necessary, file sharp corners to fit contour of your unit.

Position sill on center of threshold with tall edge of sill toward outside of shower. Tape sill to threshold with masking tape to hold in place while positioning jambs.



2

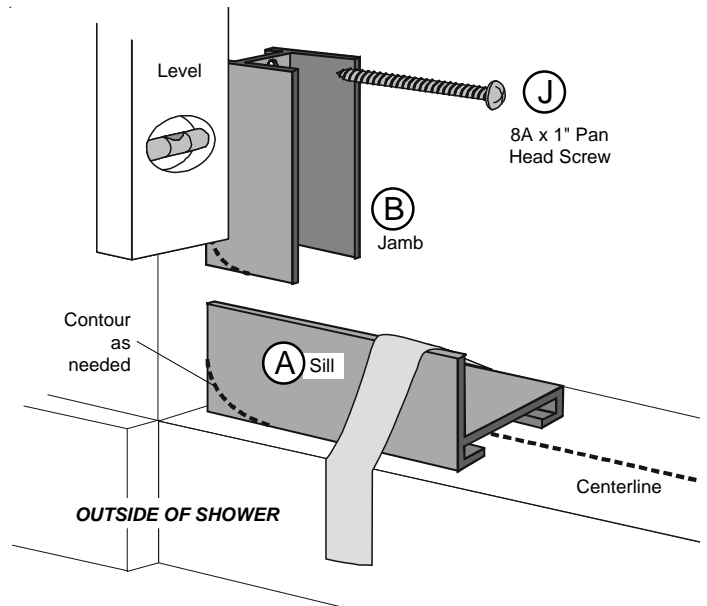
Jambs (B)

When anchors (L) are used, holes should be drilled using 3/16" drill bit. (Use masonry bit for tile.)

Place **jambs (B)** on sill with short legs against wall. Align vertically on wall using a level. Mark wall through prepunched holes. Remove jambs and drill where marked using 1/8" drill bit.

If necessary, file sharp corners on back of jambs to fit contour of your unit.

Reposition jambs on wall and secure using **8A x 1" pan head screws (J)**.

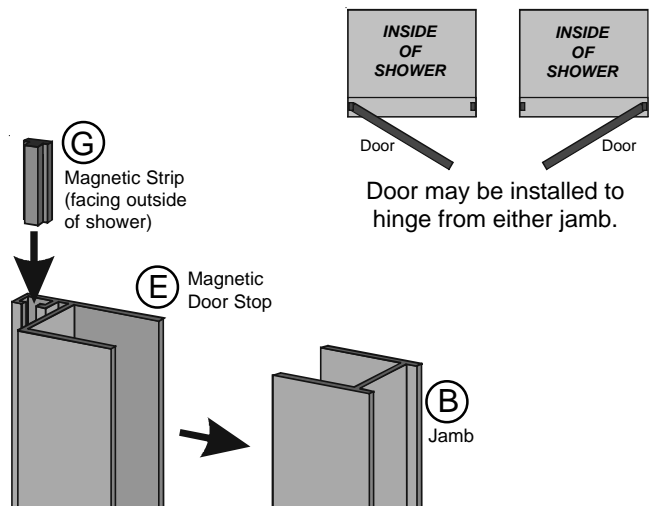


3

Magnetic Door Stop (E)

Slide **magnetic strip (G)** into slot on **magnetic door stop (E)**. Trim ends even with door stop using scissors.

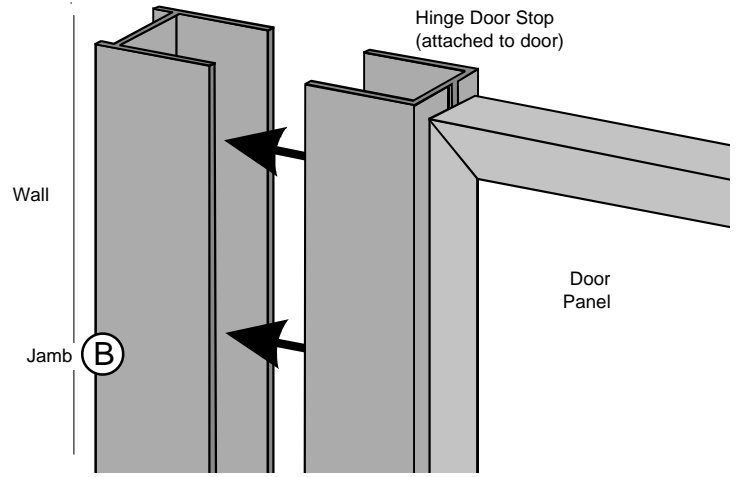
Choose side onto which magnetic door stop will be attached. Door stop is normally mounted in jamb nearest to showerhead. Slide magnetic door stop into jamb with magnetic strip facing outside of shower.



#### 4 Hinge Door Stop with Door Panel

Position hinge door stop, which is attached to door panel, into jamb on opposite side from magnetic door stop. For safety purposes, door should be installed to open out from shower.

**If magnetic strips do not seal tightly, reverse polarity by removing strip from door stop and replacing it with the previous top end to the bottom end.**

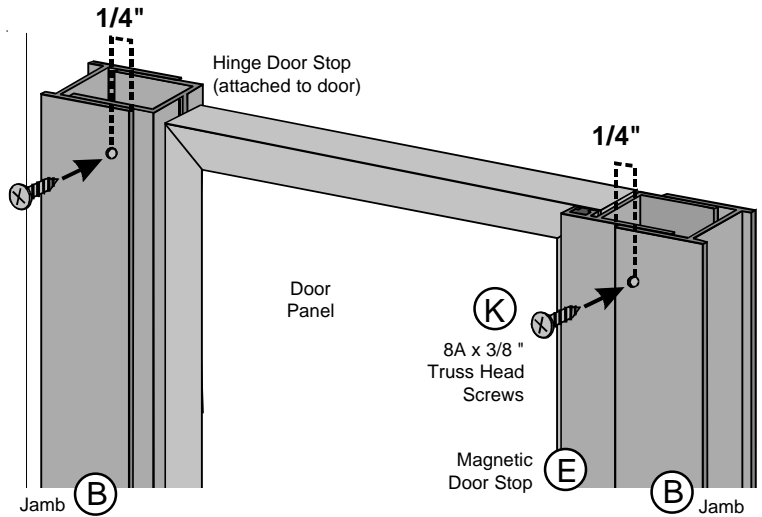


OUTSIDE OF SHOWER

#### 5 Securing Verticals

**When securing door stops to jambs, do not drill through front side of jamb.**

Adjust magnetic and hinge door stops until magnetic strip aligns properly on door panel and door closes evenly at top and bottom. Once desired alignment of parts has been achieved, from inside of shower, drill four evenly spaced holes through leg of jambs (1/4" from edge) into hinge and magnetic door stops. Secure using **8A x 3/8" truss head screws (K)**.

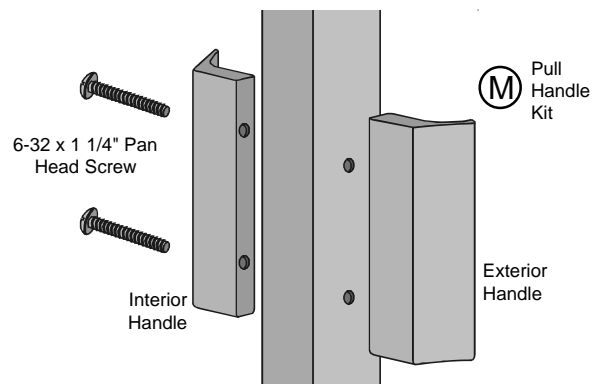


INSIDE OF SHOWER

#### 6 Pull Handle Kit (M)

*Handle for your door may be pre-installed. If so, disregard this step and continue installation.*

Mount **pull handles**, from **pull handle kit (L)**, using **6-32 x 1 1/4" pan head screws** provided. Screw heads should be on the inside of shower.



OUTSIDE OF SHOWER

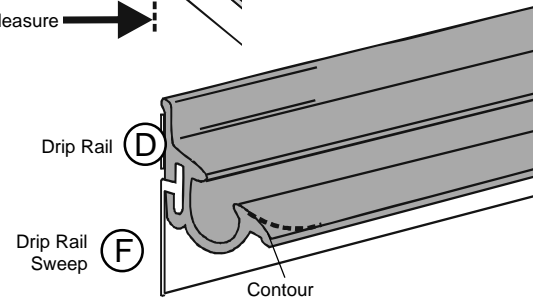
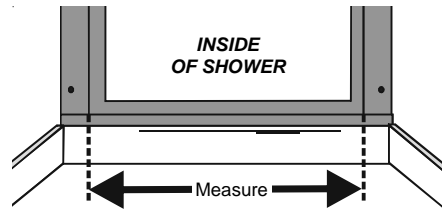
7

## Drip Rail (D)

From inside shower, measure width of door panel at bottom. **Drip rail (D)** should be  $\frac{1}{2}$ " shorter than door panel width. If longer, cut to proper length.

For one-piece vinyl drip rail (V667), continue with next step.

Slide **vinyl sweep (F)** into slot on back of drip rail. Trim ends even with edges of drip rail. Smooth cut end of drip cap fin with a file to remove sharp point.



8

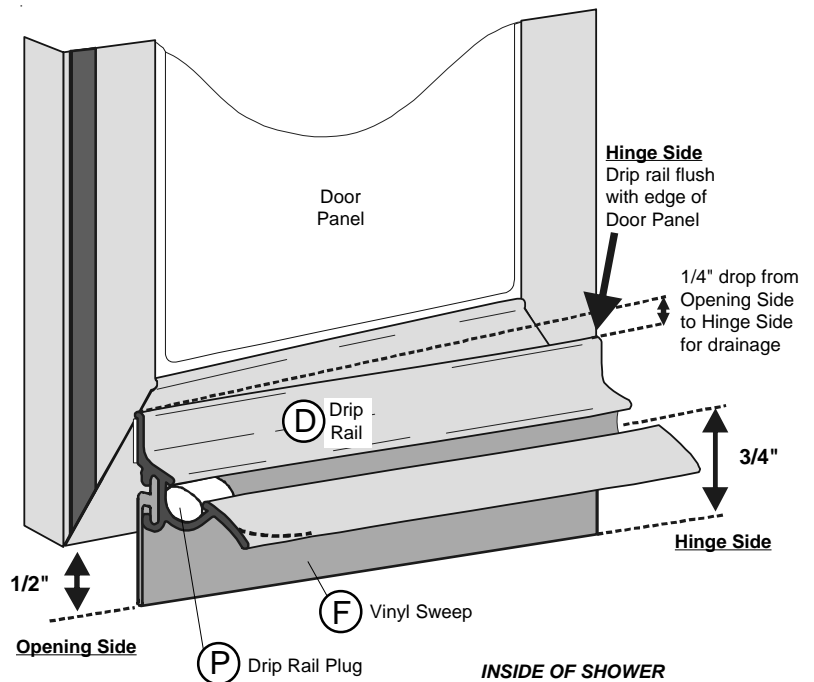
## Drip Rail (D)

**Clean bottom channel of door before mounting drip rail. After mounting, do not remove or reposition. Allow 72 hours curing time for maximum bond.**

Position drip rail on inside surface of door panel as described below:

- **Side-to-side placement:** Edge of drip rail should be flush with edge of door panel on hinge side of door.
- **Vertical placement:** Vinyl sweep should extend  $\frac{1}{2}$ " below bottom of door panel on **opening side**. Angle drip rail so that vinyl sweep extends  $\frac{3}{4}$ " below bottom of door panel on **hinge side**. This will create an  $\frac{1}{4}$ " slope from opening to hinge side for water drainage.

Mark position. Remove drip rail from door. Peel protective cover from tape, and press into place. Insert **drip rail plug (P)** into groove of drip rail on opening side of door.



**Drip rail may be additionally secured using 8A x 3/8" truss head screws. When drilling in door panel, make certain drill does not hit glass. Glass is seated approximately  $\frac{1}{2}$ " into channel.**

9

## Caulking

The use of a caulking compound will assure a water-tight seal of your enclosure. Apply caulk along outside edge of enclosure where metal and shower meet, especially where sill meets threshold. If desired, caulk inside of enclosure where jambs meet walls.

Caulk joint on sill where magnetic door stop and sill meet. On opposite side, caulk where hinge door stop and sill meet.

