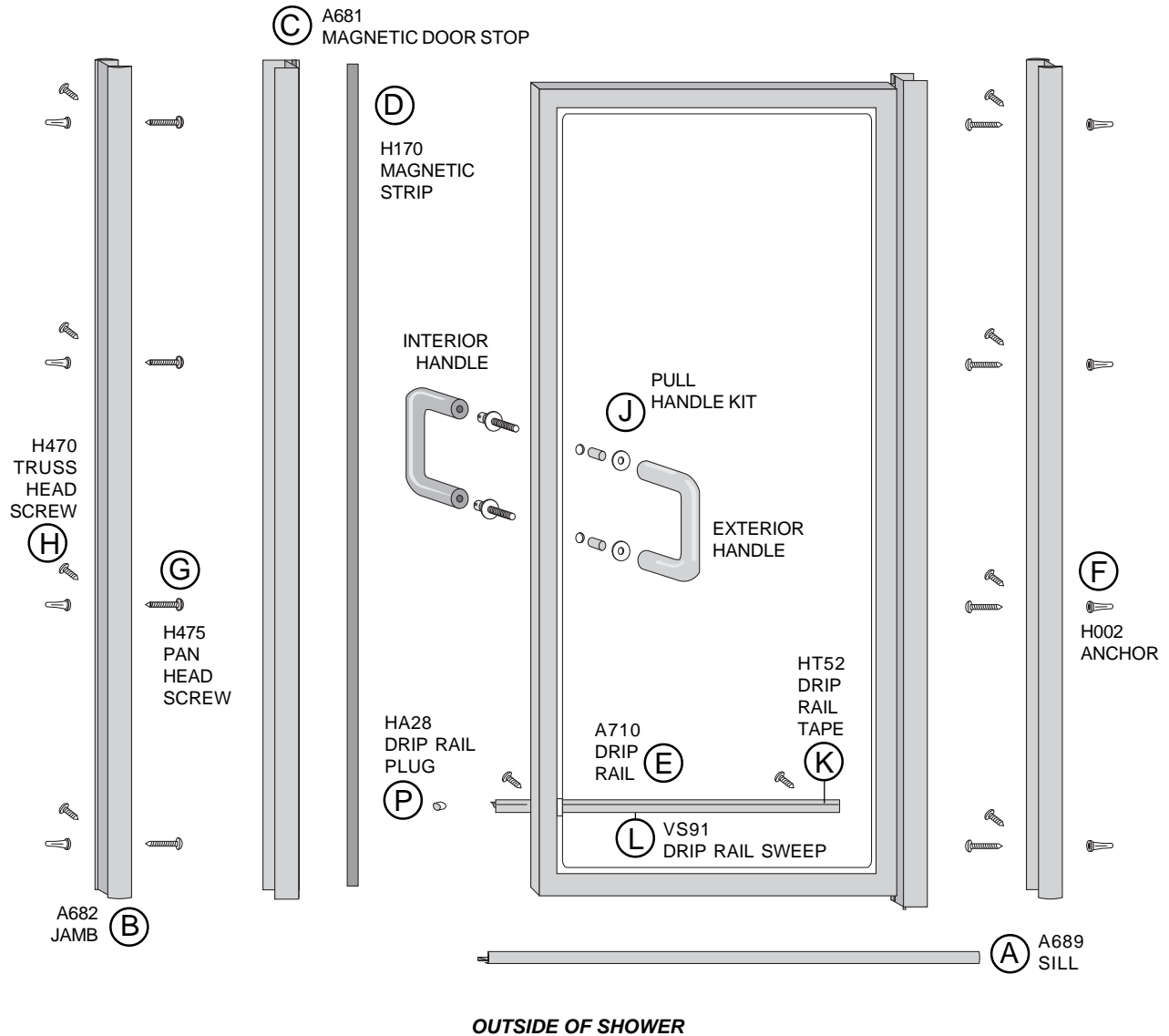


# 4PJ



## FRAME PACKAGE

KEY	DESCRIPTION	PART	QTY
A	SILL	A689	1
B	JAMB	A682	2
C	MAGNETIC DOOR STOP	A681	1
D	MAGNETIC STRIP	H170	1
E	DRIP RAIL	A710	1
K	DRIP RAIL TAPE	HT52	1
L	DRIP RAIL SWEEP	VS91	1

## HARDWARE BAG

P	DRIP RAIL PLUG	HA28	1
F	ANCHOR	H002	8
G	8A X 1 PAN HEAD SCREW	H475	8
H	8A X 3/8 TRUSS HEAD SCREW	H470	10
I	3/32 ALLEN WRENCH	H635	1
J	PUSH/PULL HANDLE KIT	HTG6	1
	PLASTIC WASHER		4
	EXTERIOR PULL HANDLE		1
	INTERIOR PULL HANDLE		1
	BUSHING		2
	HANDLE CONNECTOR SCREW		2

## TOOLS NEEDED

- 1/8" Drill Bit
- 3/16" Drill Bit
- (3/16" Masonry Bit for Ceramic Tile)
- Scratch Awl
- Measuring Tape
- Hacksaw
- Phillips Screw Driver
- Caulking Compound
- File
- Drill
- Level
- Masking Tape

# INSTALLATION INSTRUCTIONS

Before starting installation of your new enclosure, carefully read all instructions and lay out parts to become familiar with their identity.

## USE OF ANCHORS

Anchors are furnished with every enclosure. However, the use of anchors is not recommended when attaching your enclosure to a fiberglass unit or wall surrounds with board reinforced mounting areas. Mounting holes in this case should be drilled with a 1/8" drill bit.

Mounting of this unit on tile requires the use of anchors. Special care must be taken not to crack the tile. Before drilling holes in the tile, lightly chip glazed surface of tile at the desired locations. Drill holes using a 3/16" masonry drill bit. Insert anchors into the holes making certain that ring on large end of anchor meets the surface of the tile.

## CLEANING

Cleaning and care of your enclosure is important to its lasting beauty. We suggest using a nonabrasive liquid cleaner.

*Never use scouring powder or pads.*

## SEALING

The use of a caulking compound can assure a water-tight seal when applied along outside edge of the enclosure where metal and bath meet. If desired, caulk inside of enclosure where jambs meet walls.

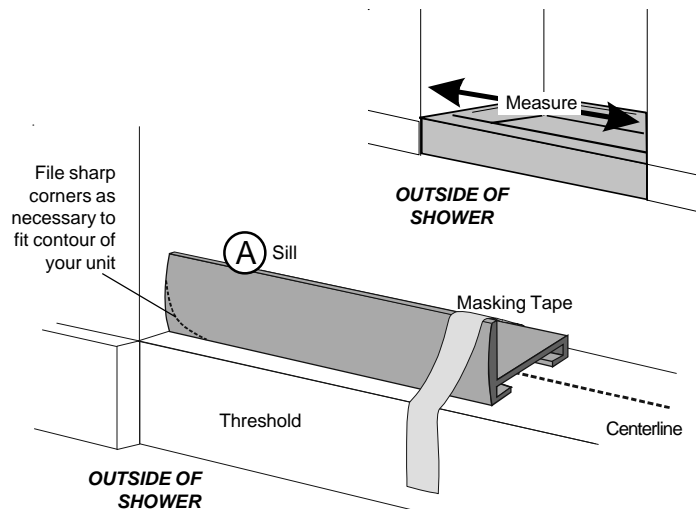
**Do not try to cut the mirrors or glass used in this enclosure. • Tempered glass and mirrors will disintegrate if cut.**

1

Due to the manufacturing process, there may be rack marks present at one end of your sill. All sills must be trimmed to fit individual openings. When cutting sill, make certain to trim off end with rack marks.

Measure opening at threshold of shower and cut **sill (A)** to exact measurement. If necessary, file sharp corners to fit contour of your unit.

Position sill on center of threshold with tall edge of sill toward outside of shower. Tape sill to threshold with masking tape to hold in place while positioning jambs.



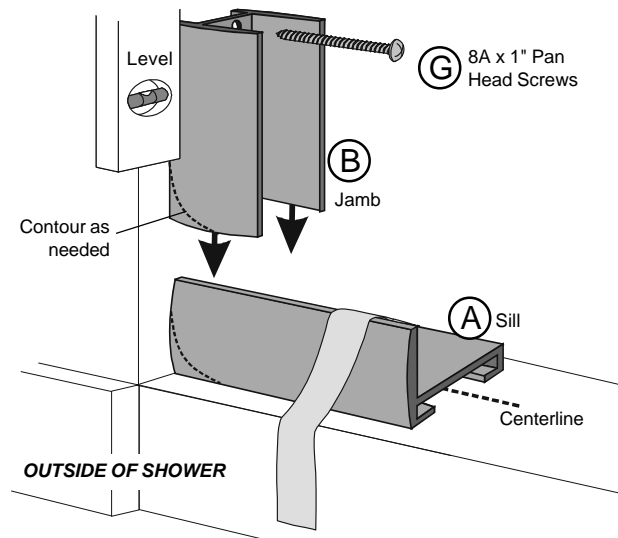
2

When anchors (H) are used, holes should be drilled using 3/16" drill bit. (Use masonry bit for tile.)

Place **jamb (B)** on sill with short legs against wall. Align vertically on wall using a level. Mark wall through pre-punched holes. Remove jamb and drill where marked using 1/8" drill bit.

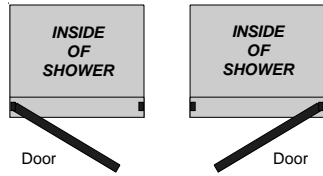
If necessary, file sharp corners on back of jambs to fit contour of your unit.

Reposition jambs on wall and secure using **8A x 1" pan head screws (G)**.



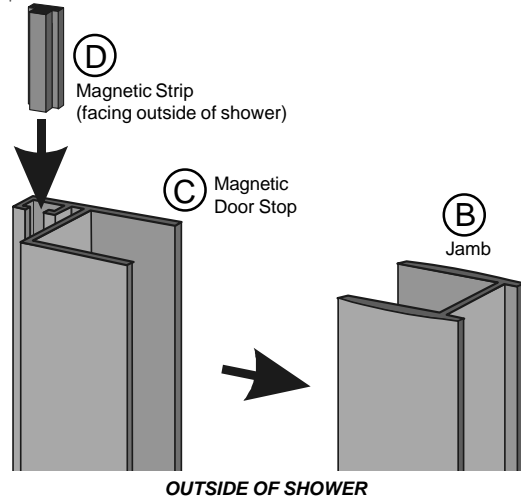
3

Door may be installed to hinge from either wall jamb.



Slide **magnetic strip** (D) into slot on **magnetic door stop** (C). Trim ends even with door stop using scissors.

Choose side onto which magnetic door stop will be attached. Door stop is normally mounted in jamb nearest to showerhead. Slide magnetic door stop into jamb with magnetic strip facing outside of shower.

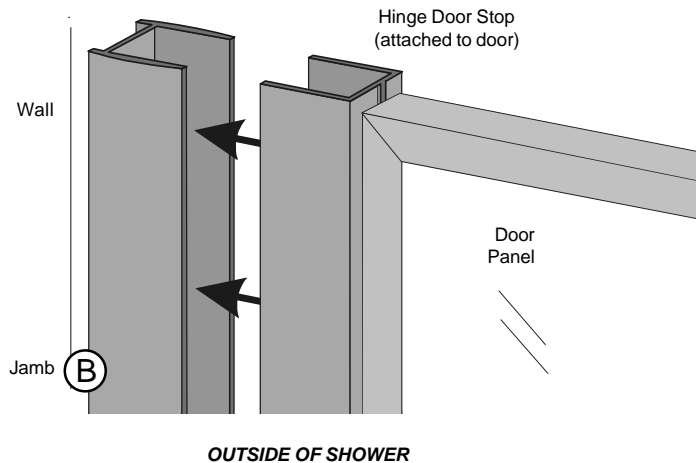


4

On units with clear, painted glass, the painted surface of glass faces outside of shower. On units with tinted, painted glass, the painted surface of glass faces inside of shower.

Position hinge door stop, which is attached to door panel, into jamb on opposite side from magnetic door stop. For safety purposes, door should be installed to open out from shower.

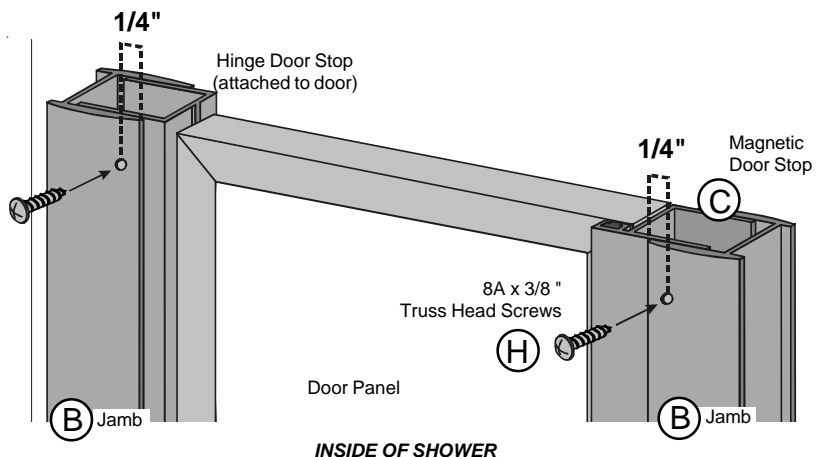
If magnetic strips do not seal tightly, reverse polarity by removing strip from door stop and replacing it with the previous top end to the bottom end.



5

When securing door stops to jambs, do not drill through front side of jamb.

Adjust magnetic and hinge door stops until magnetic strip aligns properly on door panel and door closes evenly at top and bottom. Once desired alignment of parts has been achieved, from inside of shower, drill four evenly spaced holes through leg of jambs (1/4" from edge) into hinge and magnetic door stops. Secure using **8A x 3/8" truss head screws** (H).

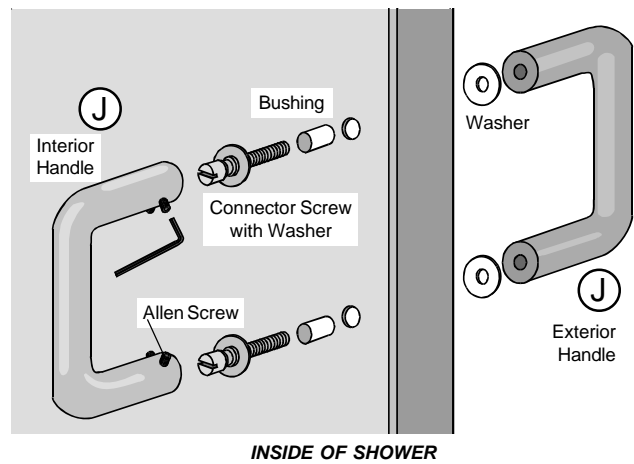


6

**Push / pull handle kit (J)** comes with parts assembled in the order they will be once installed on glass. Loosen allen screws using **allen wrench (I)** on interior handle to disassemble parts.

Place **bushings** in holes of glass. Trim so that bushings are flush with glass surface. Place one **washer** on each connector screw. From inside surface of glass, insert **connector screw** through hole, backing with another washer on outside of glass. Hold **exterior handle** in place on outside of glass and secure by tightening connector screws.

On inside of glass, slip **interior handle** over connector screws. Secure in place by tightening **allen screws** on interior handle.

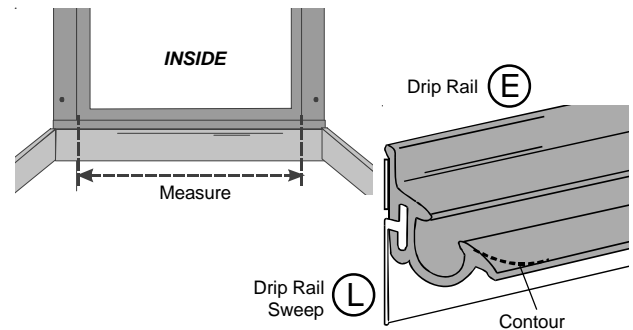


7

From inside shower, measure width of door panel at bottom. **Drip rail (E)** should be 1/2" shorter than door width. If longer, cut to proper length.

Slide **vinyl sweep (L)** into slot on back of drip rail. Trim ends even with edges of drip rail.

Smooth cut end of drip rail fin with a file to remove sharp point.



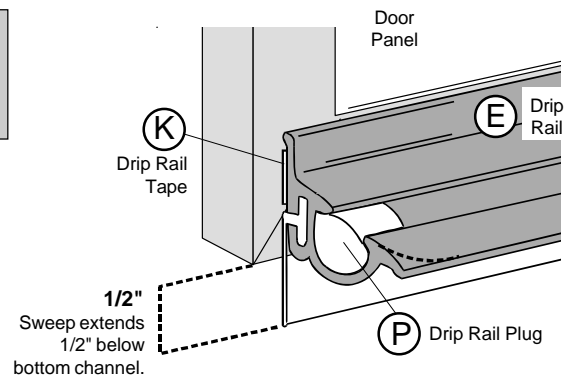
8

**Make certain that bottom channel of door is clean and dry before mounting drip rail. After mounting, drip rail should not be removed or repositioned. Adhesive on tape needs 72 hours curing time for maximum bond.**

With door in closed position, place drip rail on bottom channel of door on inside of shower. Position so that bottom edge of sweep extends approximately 1/2" below bottom of door.

Mark location for drip rail, peel protective cover from **tape (K)** and press into place.

Insert **drip rail plug (P)** into groove of drip cap on opening side of door.



**Drip rail may be additionally secured by drilling with 1/8" drill bit through drip rail into bottom channel. Attach using 8A x 3/8" truss head screws. When drilling in door panel, make sure drill does not hit glass. Glass is seated approximately 1/2" into channel.**

9

The use of a caulking compound will assure a water-tight seal of your enclosure. Apply caulk along outside edge of enclosure where metal and shower meet, especially where sill meets threshold. If desired, caulk inside of enclosure where jambs meet walls.

Caulk joint on sill where magnetic door stop and sill meet. On opposite side, caulk where hinge door stop and sill meet.

