

4FJ-P

Frameless Swing Door



Technical Assistance is available Monday - Friday, 8:00 a.m. - 5:00 p.m. (Central Time)
1-877-723-7190 (Toll Free)

PARTS LIST

FRAME PACKAGE

KEY	DESCRIPTION	PART	QTY
A	SILL	A855	1
B	JAMB	A942	2
C	MAGNETIC DOOR STOP	A951	1
D	VINYL DRIP SWEEP	V001	1
V	VINYL DOOR SEAL	V678	1

HARDWARE BAG

J	8A X 1 PAN HEAD SCREW	H475	8
K	8A X 3/8 TRUSS HEAD SCREW	H470	8
L	ANCHORS	H002	8
F	PUSH/PULL HANDLE KIT	HTG6	1
	PLASTIC WASHER		4
	EXTERIOR PULL HANDLE		1
	INTERIOR PULL HANDLE		1
	BUSHING		2
	HANDLE CONNECTOR SCREW		2
G	MAGNETIC CATCH KIT	HKMAGCH	1
	MAGNET HOLDER WITH MAGNET	HMAH / HG92	1
	METAL SLIDE	HA75	1
	HANDLE VINYL	V208	1

TOOLS NEEDED

1/8" Drill Bit
 3/16" Drill Bit
 (3/16" Masonry Bit for Ceramic Tile)
 Pencil
 Measuring Tape
 Hacksaw
 Phillips Screw Driver
 Silicone Caulk
 File
 Drill
 Level
 Masking Tape

Before starting installation of your new enclosure, carefully read all instructions and lay out parts to become familiar with their identity.

USE OF ANCHORS

Anchors are furnished with every enclosure. However, the use of anchors is not recommended when attaching your enclosure to a fiberglass unit or wall surrounds with board reinforced mounting areas. Mounting holes in this case should be drilled with an 1/8" drill bit.

Mounting this unit on tile requires the use of anchors. Special care must be taken not to crack the tile. Before drilling holes in the tile, lightly chip glazed surface of tile at the desired locations. Drill holes using a 3/16" masonry drill bit. Insert anchors into the holes making certain that ring on large end of anchor meets the surface of the tile.

CAUTION

Do not attempt to cut mirrors or glass used in this enclosure. Tempered glass and mirrors will shatter if cut.

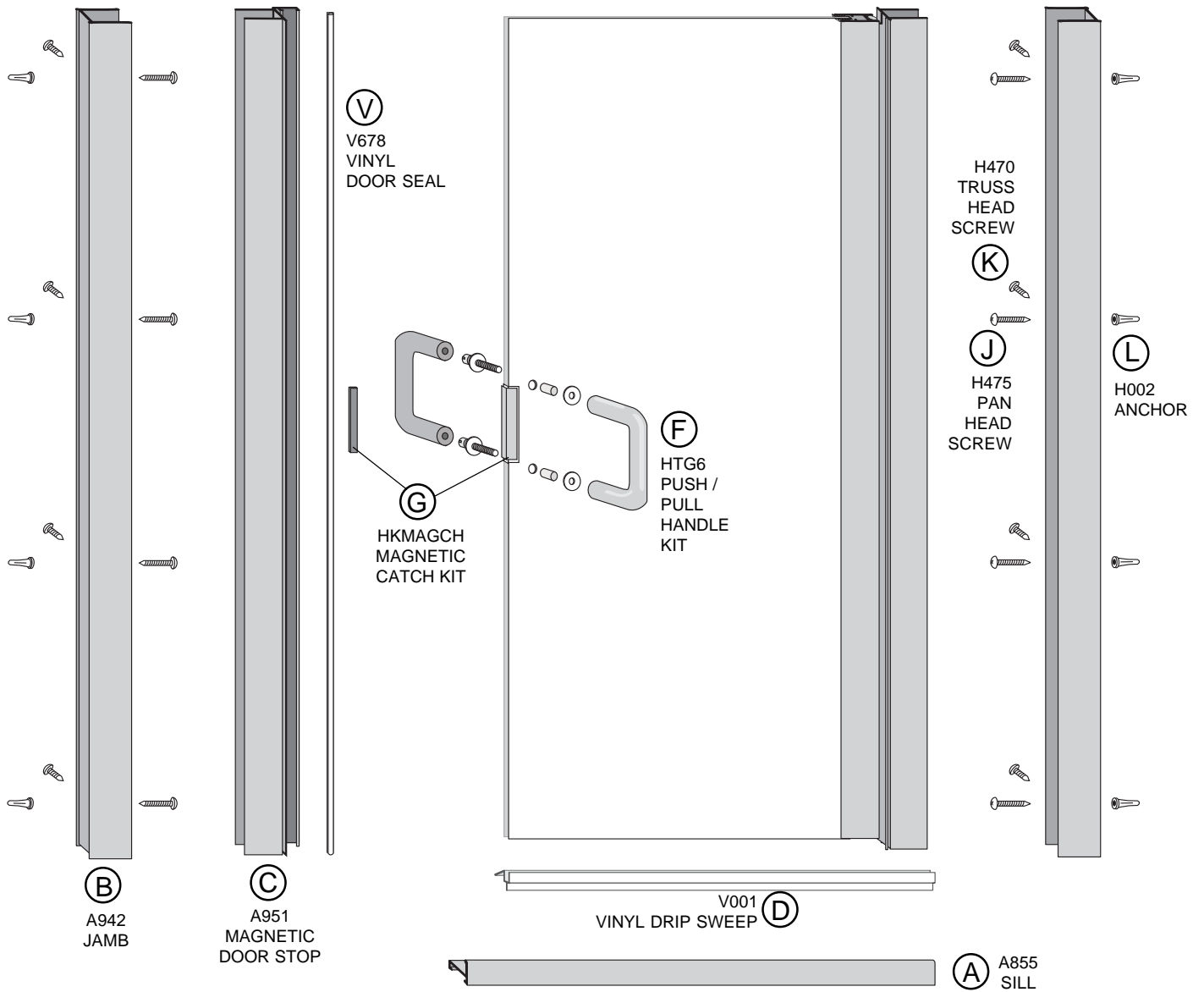
Care should be taken when standing raw glass on its edge. Glass may shatter if corners are bumped or edge is rested on a rough floor surface. Cardboard, wood blocks, or a similar surface is a safe resting surface for glass.

CLEANING

Cleaning and care of your enclosure is important to its lasting beauty. A nonabrasive liquid cleaner is recommended.
Never use scouring powder or pads.

SEALING

Seal unit by caulking along outside of enclosure where metal and bath meet, especially where sill meets threshold. If desired, caulk inside of enclosure where jambs meet walls.



OUTSIDE OF SHOWER

Care should be taken when standing raw glass on its edge. Glass may shatter if corners are bumped or edge is rested on a rough floor surface. Cardboard, wood blocks, or a similar surface is a safe resting surface for glass.



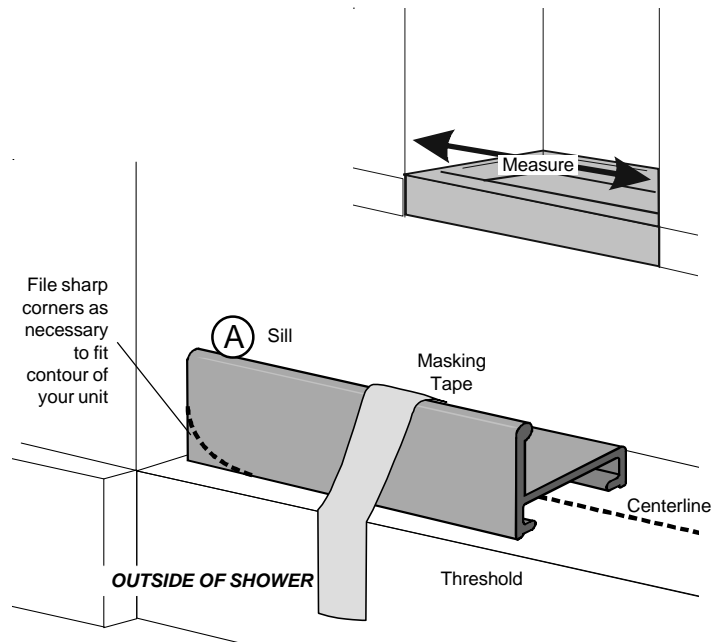
1

Sill (A)

Due to the manufacturing process, there may be rack marks present at one end of your sill. Sill must be trimmed to fit your individual opening. When cutting sill, make certain to trim off end with rack marks.

Measure opening at threshold of shower and cut sill (A) to exact measurement. If necessary, file sharp corners to fit contour of your unit.

Position sill on center of threshold with tall edge of sill toward outside of shower. Tape sill to threshold with masking tape to hold in place while positioning jambs.



2

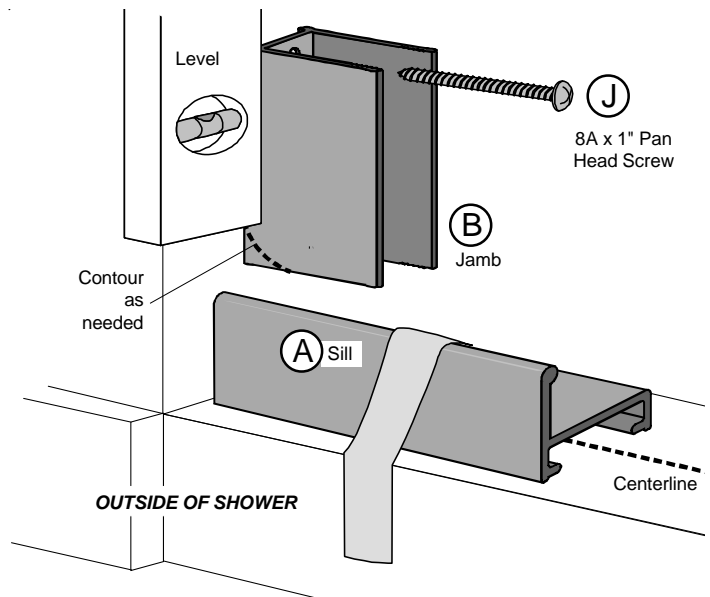
Jambs (B)

When anchors (L) are used, holes should be drilled using 3/16" drill bit. (Use masonry bit for tile.)

Place jambs (B) on sill with short legs against wall. Align vertically on wall using a level. Mark wall through prepunched holes. Remove jambs and drill where marked using 1/8" drill bit.

If necessary, file sharp corners on back of jambs to fit contour of your unit.

Reposition jambs on wall and secure using 8A x 1" pan head screws (J).

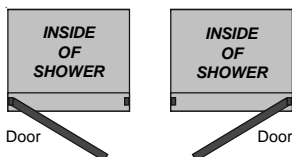


3

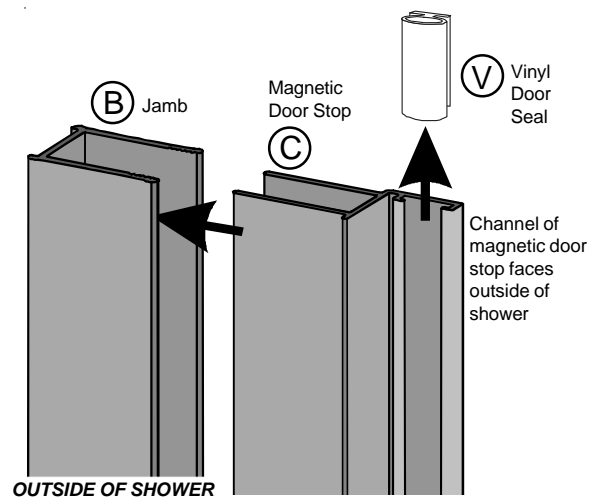
Magnetic Door Stop (C)

Remove vinyl door seal (V) from channel of magnetic door stop (C).

Choose "opening" side onto which magnetic door stop will be attached. Door stop is normally mounted in jamb nearest to showerhead. Slide magnetic door stop into jamb with channel facing outside of shower.



Door may be installed to hinge from either jamb.



4

Metal Slide (G)

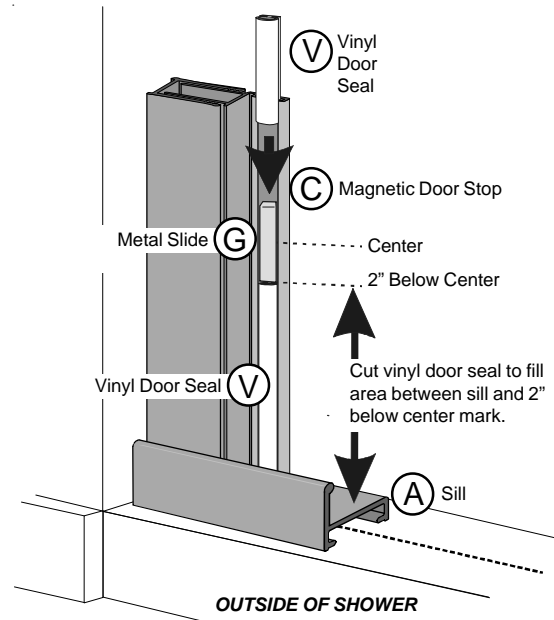
Vinyl door seal must be trimmed into two pieces and replaced in open channel of magnetic door stop with **metal slide** (attached to magnet in **magnetic catch kit (G)**) in between vinyl pieces.

Mark center of magnetic door stop. Trim vinyl door seal to fill open channel of door stop from sill to 2" below center mark.

Insert vinyl in channel.

Insert metal slide (attached to magnet in magnetic catch kit) in channel on top of vinyl.

Insert remaining piece of vinyl in channel on top of metal slide. Trim vinyl flush with door stop at top of unit.



5

Push / Pull Handle Kit (F)

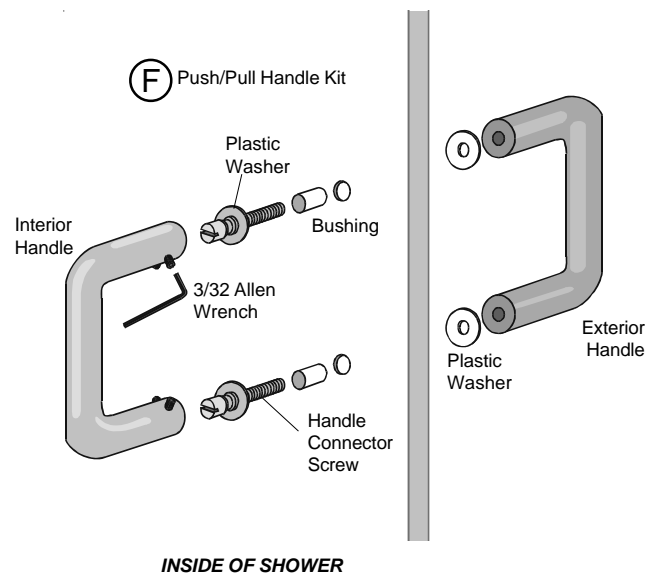
Handles will be mounted on glass before hanging door panel.

Push / Pull handle kit (F) comes with parts assembled in the order they will be once installed on glass. Disassemble parts.

Place **bushings** in holes in glass. Trim as needed so that bushings are flush with surface of glass. Place one **plastic washer** on each **connector screw** and insert screws (from inside surface of glass) through bushings in glass.

Place second plastic washer on exposed end of connector screw on outside surface of glass. Holding **exterior handle** in place on outside surface of glass, tighten connector screw to secure handle.

On inside surface of glass, slip **interior handle** over connector screws and tighten with **3/32" allen wrench**.

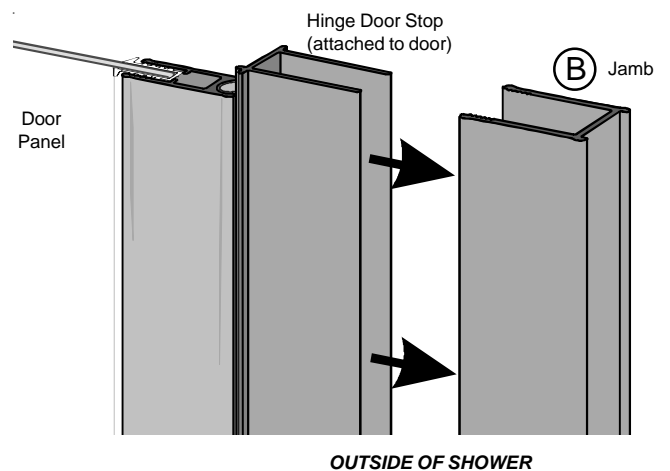


6

Hinge Door Stop with Door Panel

Position hinge door stop, which is attached to door panel, into jamb on opposite side from magnetic door stop.

For safety purposes, door should be installed to open out from shower.

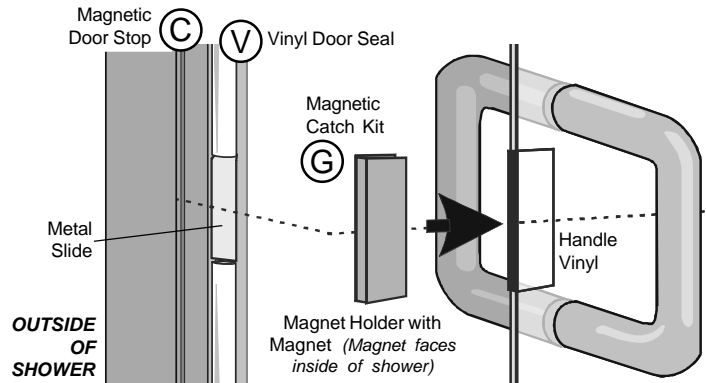


7

Magnetic Catch Kit (G)

Wrap **handle vinyl**, from **magnetic catch kit (G)**, around edge of door glass adjacent to metal slide in door stop.

Tap **magnet holder**, with **magnet** attached, over vinyl. Magnet should face inside of shower.



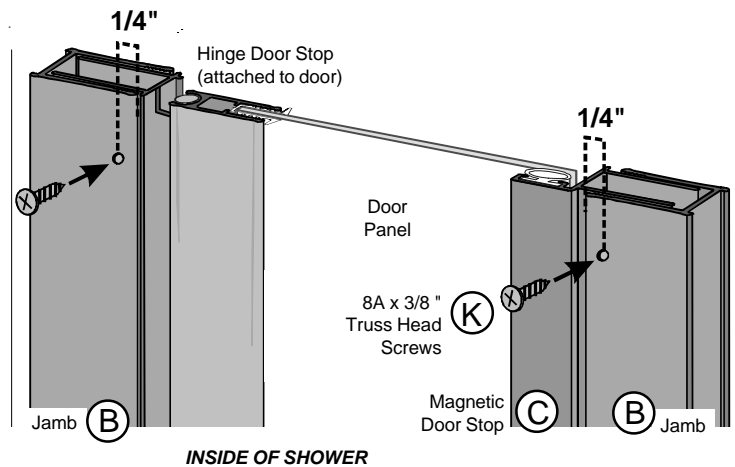
8

Securing Verticals

When securing door stops to jambs, do not drill through front side of jamb.

Adjust magnetic and hinge door stops until magnetic catch aligns evenly and door closes with an even reveal of space across bottom of door glass.

Once desired alignment of parts has been achieved, from inside of shower, drill four evenly spaced holes through leg of jambs (1/4" from edge) into hinge and magnetic door stops. Secure using **8A x 3/8" truss head screws (K)**.

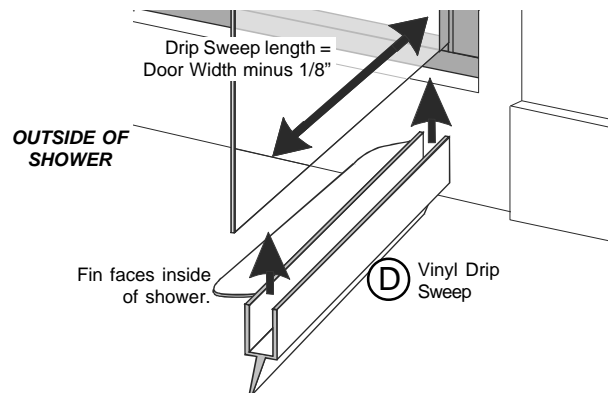


9

Vinyl Drip Sweep (D)

Measure width of door glass at bottom. Trim **vinyl drip sweep (D)** to door glass width minus 1/8". Trim only from hinge end of drip sweep. Contour cut end of drip sweep fin to remove sharp point.

Press drip sweep onto bottom edge of door glass with fin facing inside of shower and edge of drip sweep flush with edge of glass on hinge side of door. (*Drip sweep will be 1/8" from edge of glass on opening side of door.*)



10

Caulking

The use of a caulking compound will assure a water-tight seal of your enclosure. Apply caulk along **outside** edge of enclosure where metal and shower meet, especially where sill meets threshold. If desired, caulk **inside** of enclosure where jambs meet walls.

Caulk joint on sill where magnetic door stop and sill meet. On opposite side, caulk where hinge door stop and sill meet.

