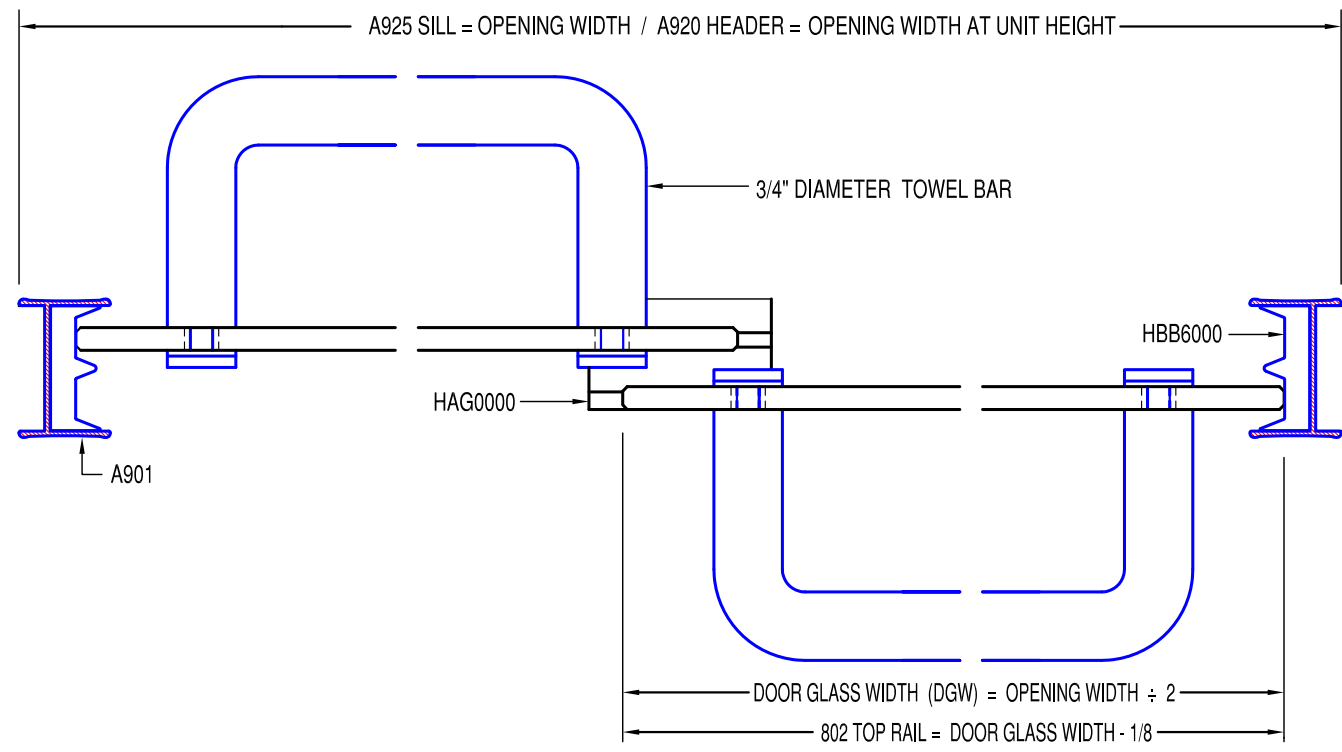
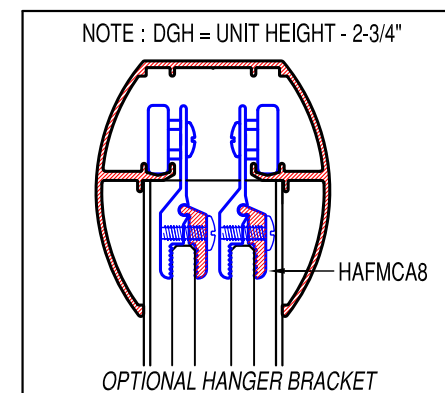
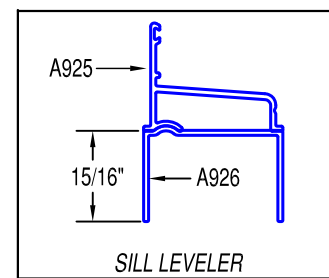
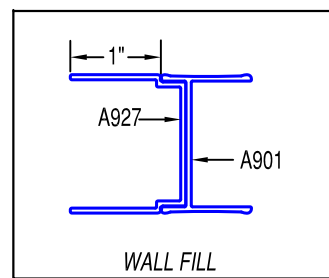


VERTICAL CROSS SECTION



HORIZONTAL CROSS SECTION

BYPASS SPEC F-1

SERIES	BYPASS 1/4" GLASS	GLAZING VINYL			 P.O. DRAWER 40228 TUSCALOOSA, AL. 35404-0228 (205) 345-1013 * (800) 772-7737 * FAX (800) 255-7320 www.coralind.com	
		TYPE	5/32"	3/16"		1/4"
F000	<ul style="list-style-type: none"> ▶ CVT TOWEL BAR (THRU - GLASS) ▶ LSL - SILL 	DOOR	N/A	N/A		N/A
FRAMELESS						