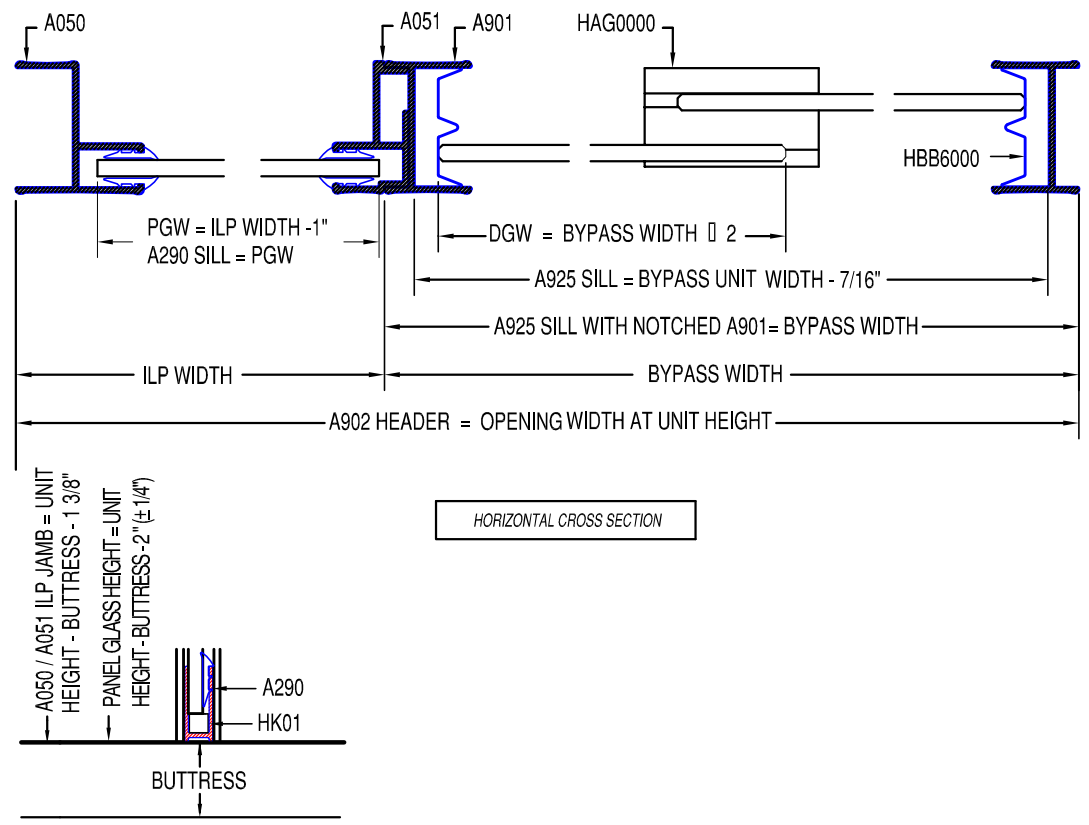


VERTICAL CROSS SECTION



HORIZONTAL CROSS SECTION

BYPASS SPEC 0-5

SERIES	▶ ▶	3/16" GLASS FMLS BYPASS W/ILP	GLAZING VINYL			
			TYPE	5/32"	3/16"	1/4"
0000			SIDE-LITE (VERT) AND A290 1 SIDE	VK156V	VK188V	VK250V
FRAMELESS						

**Coral**

P.O. DRAWER 40228 TUSCALOOSA, AL. 35404-0228  
 (205) 345-1013 \* (800) 772-7737 \* FAX (800) 255-7320  
 www.coralind.com