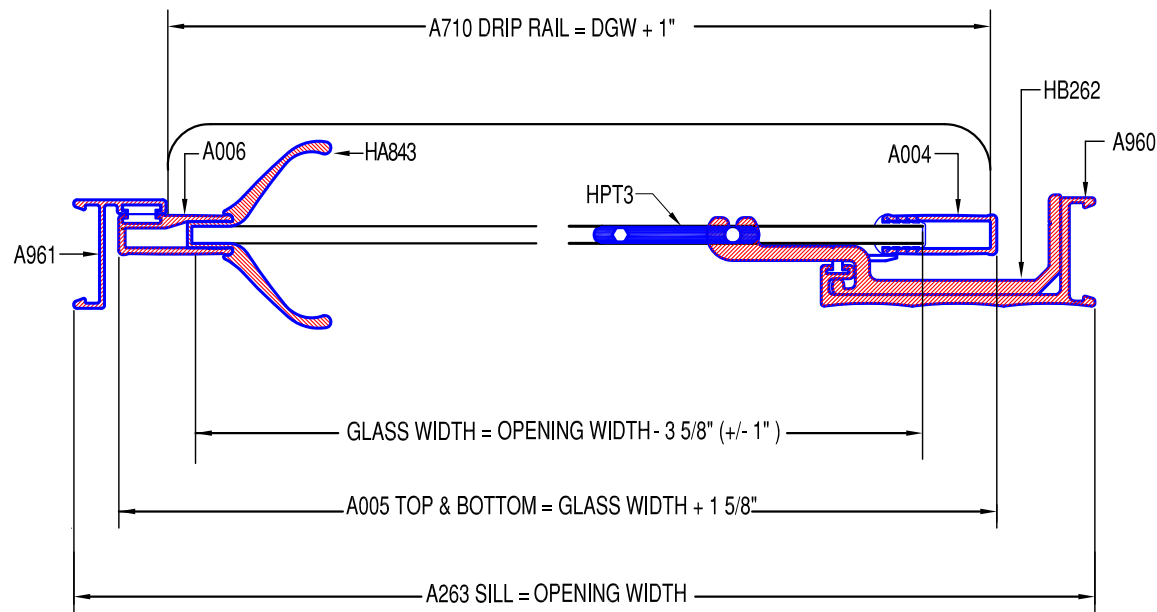
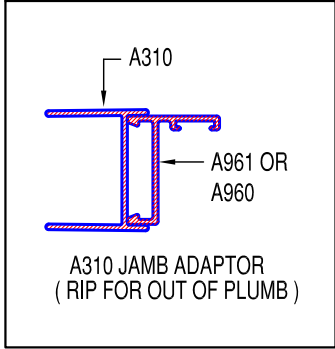


VERTICAL CROSS SECTION



HORIZONTAL CROSS SECTION



PIVOT SPEC 6-1

SERIES	PIVOT	GLAZING VINYL			
		TYPE	5/32"	3/16"	1/4"
6000	▶ (GIH) GLAZED IN HANDLE	DOOR	VD6156	VD6188	VD6250
FRAMED					

Coral

P.O. DRAWER 40228 TUSCALOOSA, AL. 35404-0228
 (205) 345-1013 * (800) 772-7737 * FAX (800) 255-7320
 www.coralind.com