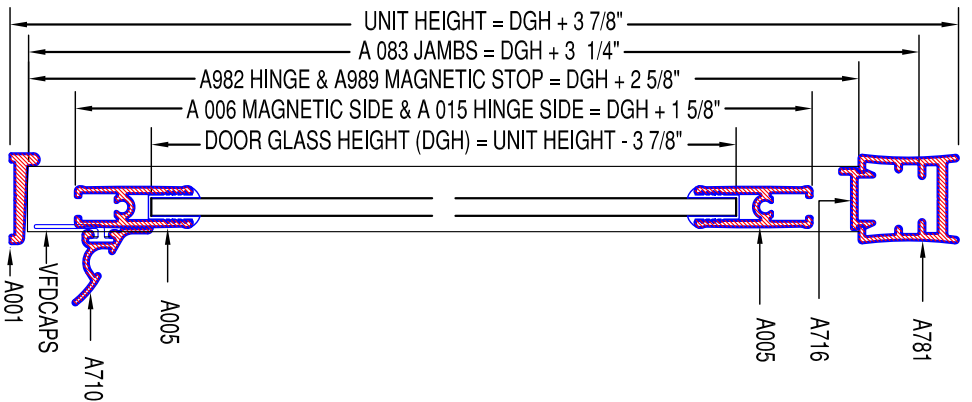
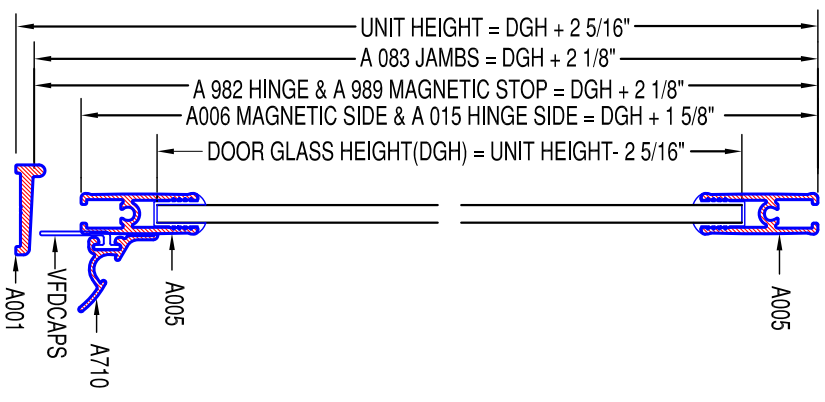


WITH HEADER



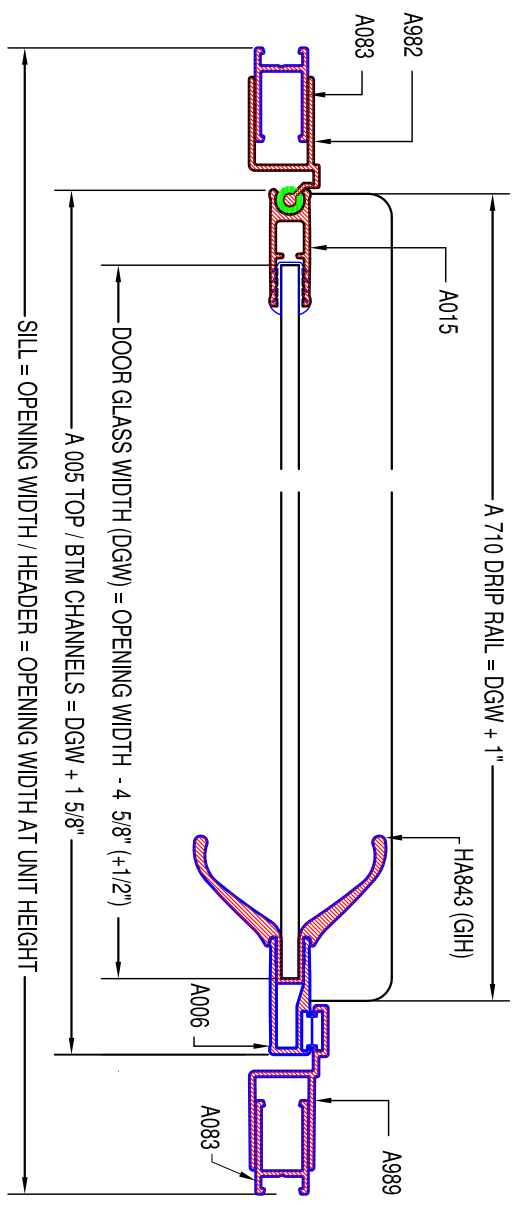
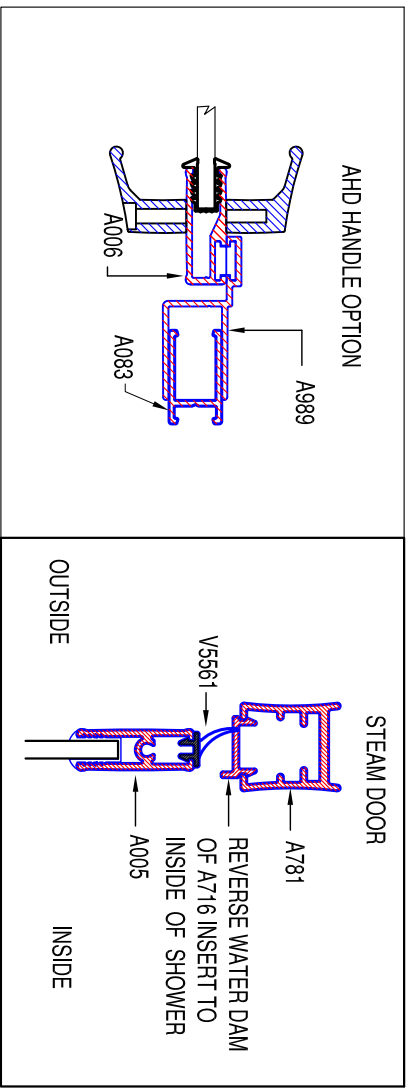
WITHOUT HEADER



NOTE: WHEN USING A782 SILL
 UNIT HEIGHT = $DGH + 4 \frac{3}{4}"$

NOTE: WHEN USING A782 SILL
 UNIT HEIGHT = $DGH + 3 \frac{3}{16}"$

VERTICAL CROSS SECTION



HORIZONTAL CROSS SECTION

KWIKSTAL FMD, -1

SERIES **7000** KWIKSTAL SWING DOOR

GLAZED IN HANDLE (GIH)

FRAMED

TYPE	GLAZING VINYL		
DOOR	5/32"	3/16"	1/4"

VD6156	VD6188	VD6250
--------	--------	--------

Corral
 P.O. DRAWER 40228 TUSCALOOSA, AL. 35404-0228
 (205) 345-1013 • (800) 772-7737 • FAX (800) 255-7320
 www.corralind.com