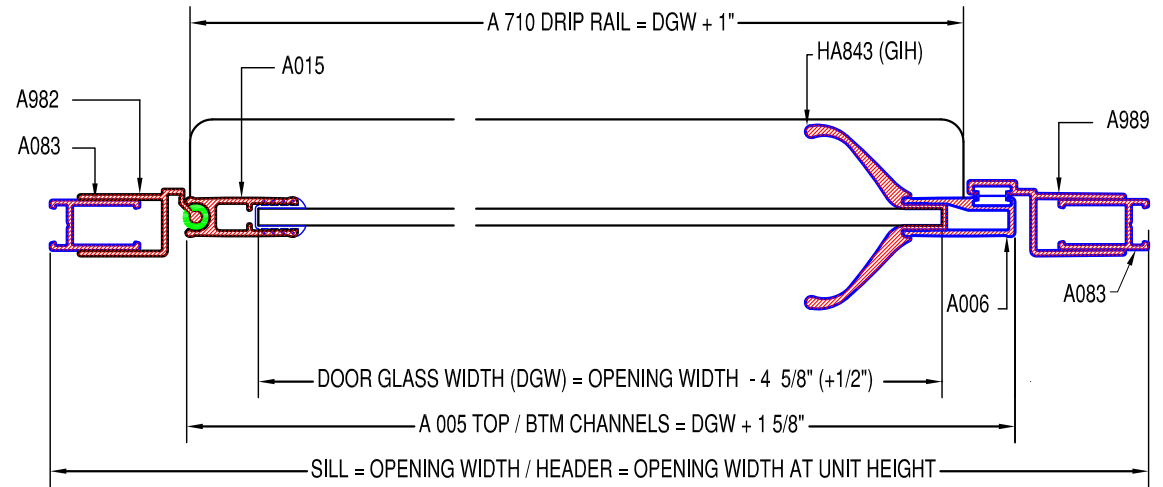
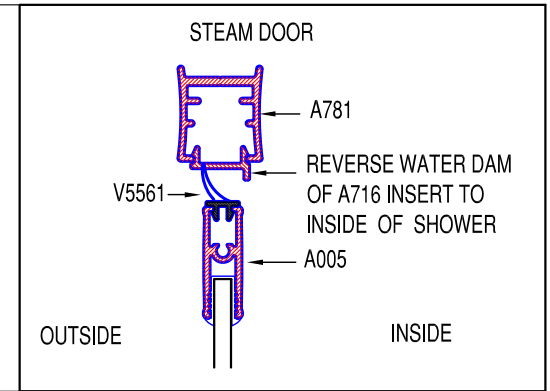
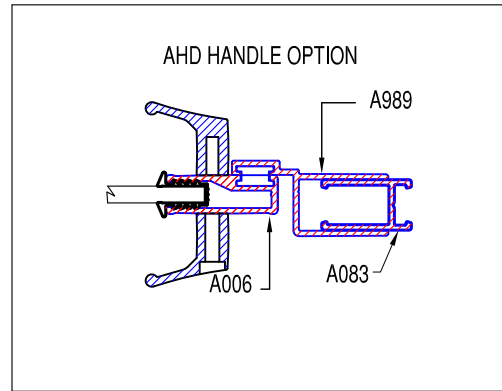


NOTE: WHEN USING A782 SILL  
 UNIT HEIGHT = DGH + 4 3/4"


NOTE: WHEN USING A782 SILL  
 UNIT HEIGHT = DGH + 3 3/16"

VERTICAL CROSS SECTION



HORIZONTAL CROSS SECTION

KWIKSTAL FMD - 1

SERIES  <b>7000</b>  FRAMED	<b>KWIKSTAL SWING DOOR</b>  ► GLAZED IN HANDLE (GIH)	GLAZING VINYL			 P.O. DRAWER 40228 TUSCALOOSA, AL. 35404-0228 (205) 345-1013 * (800) 772-7737 * FAX (800) 255-7320 www.coralind.com	
		TYPE	5/32"	3/16"		1/4"
		DOOR	VD6156	VD6188		VD6250