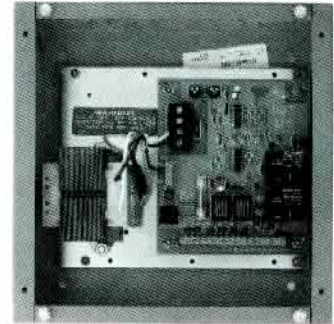




ELECTRIFIED 20 SERIES EXIT DEVICE



2085 EL
2086 EL
2095 EL



Power Supply
#30-2616

TECHNICAL INFORMATION

APPLICATION

- Aluminum or Hollow Metal Doors.

FEATURES

- Fail-secure operation
- Remote locking and unlocking capability
- Solenoid operated latch retraction
- Adjust for brief or extended unlocking periods (to replace manual dogging)
- Ideal for after hour card access, automatic fire alarm systems, automatic doors, etc.
- For information on standard 20 series features, see page B-8
- 10 Amp Inrush Power Supply Regulator.
- 24 Volt DC continuous duty solenoid.
- Jackson power supply recommended (30-2616)

MATERIALS

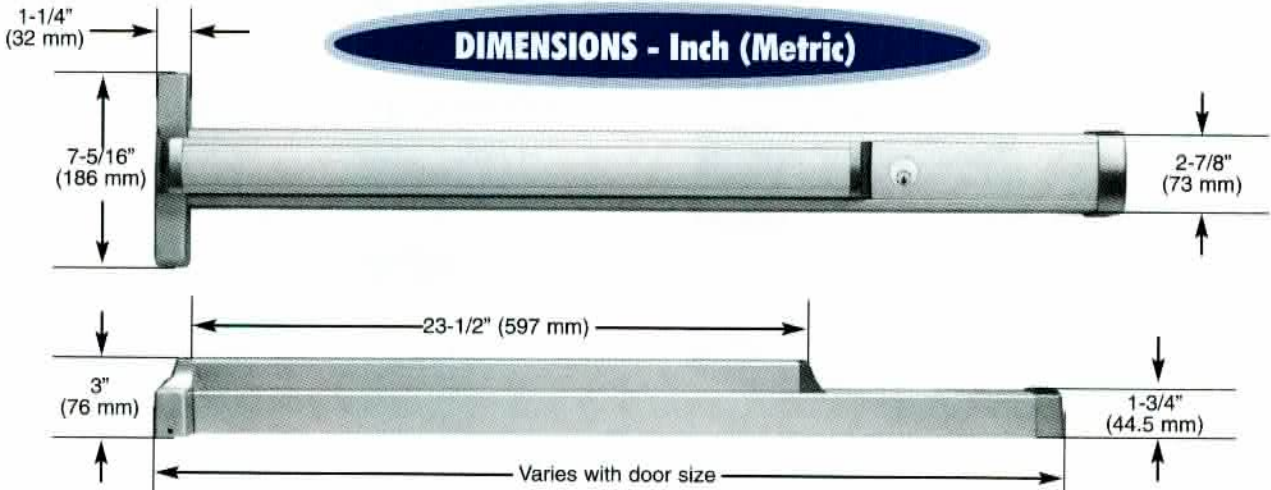
Base Extrusion	Extruded Aluminum
Push Pad	Extruded Aluminum
Active Housing & End Caps	Die Cast Aluminum
Mechanical Components	Stainless & Hardened Steel
Top and Bottom Bolts	Plated Hardened Steel
Top & Rim Latch	Sintered Steel
Strikes	Sintered Steel

FINISH

Standard Anodized Finish:	DBZ 313	- Dark Bronze
	US28/628	- Satin Aluminum
Standard Architectural Finish:	US26/625	- Polished Chrome
	US3/605	- Polished Brass

WIRING RUN-DO NOT EXCEED MAXIMUM LENGTH

16 AWG.....	40 FEET
14 AWG.....	60 FEET
12 AWG.....	100 FEET





20 SERIES EXIT DEVICE

2085 & 2086 CONCEALED VERTICAL ROD



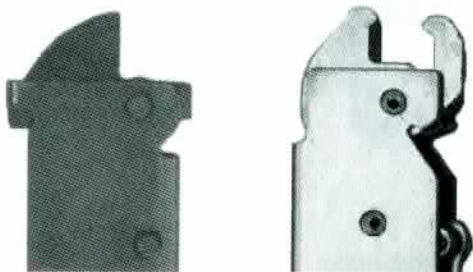
APPLICATION

- 1-3/4" (45 mm) Narrow, Medium and Wide Stile Aluminum Doors.
- Product is shipped for use with standard 1-3/4" (45 mm) Thick Doors - 2" (51 mm) Door Mounting is optional.

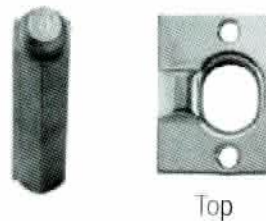
FEATURES

- Handed - Not Reversible
- Adjustable bolt guides allow bolt adjustment with door installed.
- Requires No. 30-821J Cylinder mounting pad when using mortise cylinder for keyed entry.
- Uses standard mortise cylinder with maximum security (MS) type cam. (Supplied by Others)
- Foam rubber silencers to quiet rod operation.
- Standard mounting package consists of machine screw type fasteners.
- Touchbar mounting height centerline at 38" (965 mm) from bottom of door.

2085 TOP LATCH



2086 TOP BOLT



Top

- Positive locking, spring loaded top latch design for increased security.
- Rod length shipped standard for 7/0 (2134 mm) high doors.
For doors over 7/0 (2134 mm) High:
Top Rod Extender - 12" (305 mm) No. 30-1347
Top Rod Extender - 24" (609 mm) No. 30-1348
- Top Strike No. 30-1305
- Bottom Bolt No. 30-763P
- Bottom Strike No. 30-412
- Pullman Latch (Optional) No. 30-2770

- Independent top and bottom bolt action - 1/2" (13 mm) bolt throw.
- Trigger action, positive bolt release
- Rod length shipped standard for 7/0 (2134 mm) high doors.
For doors over 7/0 (2134 mm) High:
Top Rod Extender - 12" (305 mm) No. 30-1347
Top Rod Extender - 24" (609 mm) No. 30-1348
- Top & Bottom Bolt No. 30-763P
- Top & Bottom Strikes No. 30-1084